

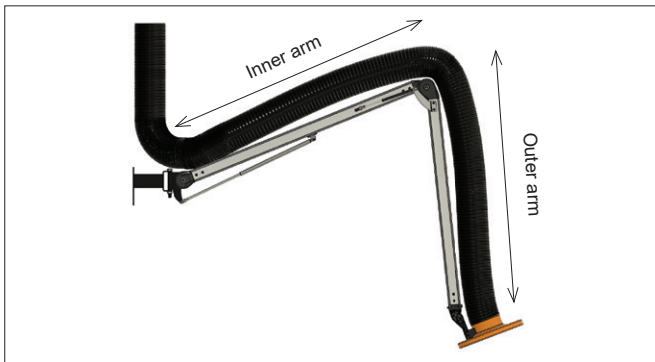
## Extraction Arms

# ESA arm - new design, patent pending

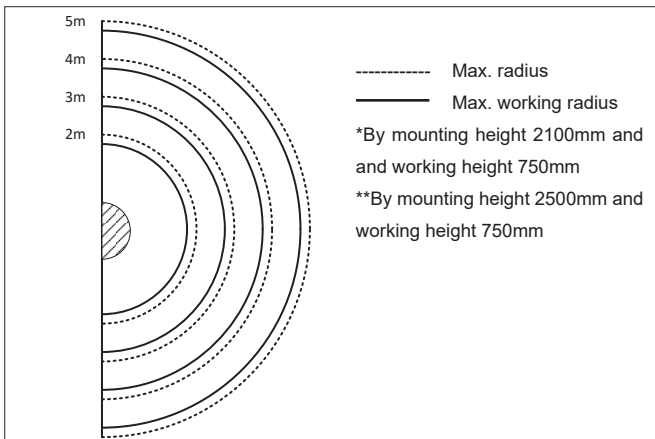
The ESA arm is designed with an external support arm for easy positioning and low pressure drop. The support arm is made of extruded 6060 aluminum and the joints are of cast glass infused nylon. The arm joints are both supported with gas springs. The hood is made of aluminum for durability, and it is designed for maximum extraction and capture efficiency.

The ESA arm is available in  $\varnothing 160$  mm or  $\varnothing 200$  mm, in lengths from 2 to 5 meters. At 4 and 5 meters an extension is fitted to the wall. Using our standard extension arms the ESA arm is available in up to 8 meters length.

### Technical data



ESA arm	Inner support arm (mm)	Outer support arm (mm)	Extension (mm)	Max. working radius (mm)	Max. Radius (mm)
2 m	865	696		1600*	2000
3 m	1365	1200		2700**	3000
4 m	1365	1200	1000	3700**	4000
5 m	1365	1200	2000	4700**	5000



NB. By using the Extension the working area is limited



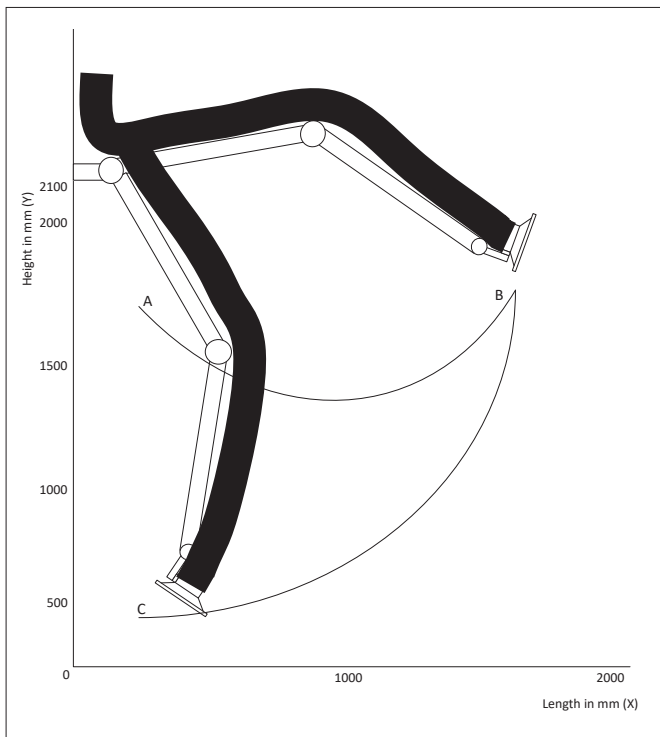
ESA arm 3 meter  $\varnothing 160$  mm

### Ordering table

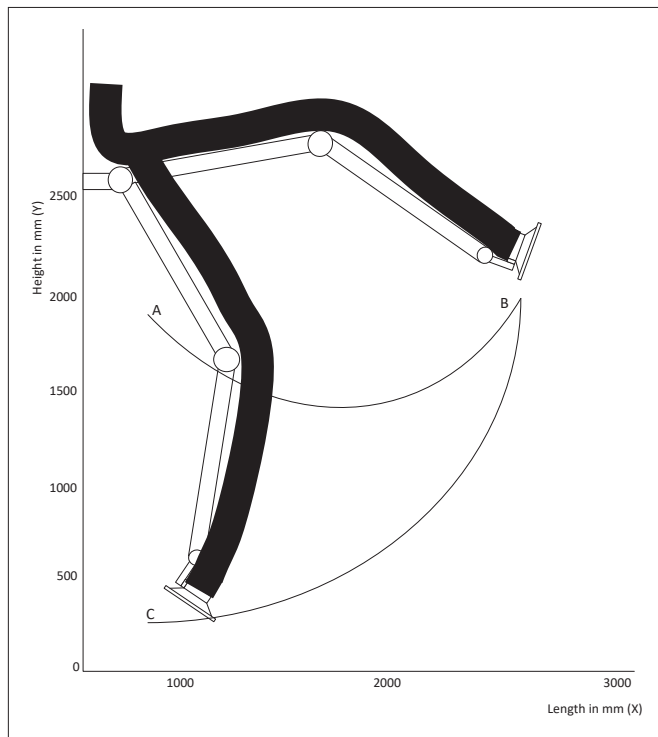
Art. No.	Description
01-650	ESA arm 2,0 m $\varnothing 160$ mm, complete arm incl. hose and wall bracket.
01-651	ESA arm 3,0 m $\varnothing 160$ mm, complete arm incl. hose and wall bracket.
01-652	ESA arm 4,0 m $\varnothing 160$ mm, complete arm incl. hose, wall bracket and extender.
01-653	ESA arm 5,0 m $\varnothing 160$ mm, complete arm incl. hose, wall bracket and extender.
01-660	ESA arm 2,0 m $\varnothing 200$ mm, complete arm incl. hose and wall bracket.
01-661	ESA arm 3,0 m $\varnothing 200$ mm, complete arm incl. hose and wall bracket.
01-662	ESA arm 4,0 m $\varnothing 200$ mm, complete arm incl. hose, wall bracket and extender.
01-663	ESA arm 5,0 m $\varnothing 200$ mm, complete arm incl. hose, wall bracket and extender.
01-680	Universal bracket (floor/ceiling) L=400-1200 mm
01-680A	Universal bracket (floor/ceiling) L=1200-2500 mm
01-681	Ceiling bracket, swivel 360°
01-682	LED light with on/off for fan
12-008E	Tight damper - $\varnothing 160$ mm
12-009E	Tight damper- $\varnothing 200$ mm

### ESA arm

#### Working area - ESA arm 2 meter



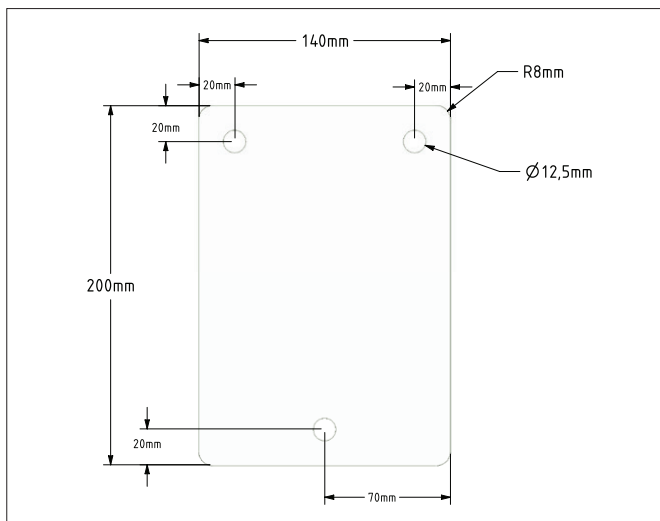
#### Working area - ESA arm 3, 4 and 5 meter



Arm lengths	A_X mm	A_Y mm	B_X mm	B_Y mm	C_X mm	C_Y mm
2 m ESA arm	500	1550	1600	1700	500	600
3 m ESA arm	500	1950	2700	2100	500	200
4 m ESA arm	500	1950	3700	2100	500	200
5 m ESA arm	500	1950	4700	2100	500	200

We recommend that the arm is installed in a height of 2500 mm. In this case the working range will be in the height of 700 to 1500 mm. (Normal height of a working table). If you want another working range, you adjust height of the installation.

#### Dimensions



Wall bracket



ESA arm with LED light in the hood

## ESA arm

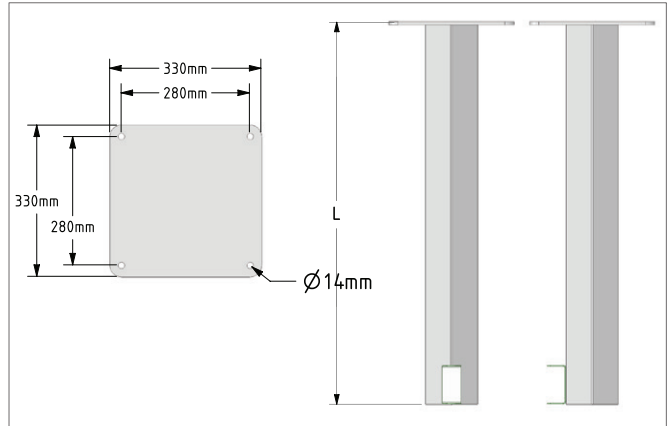


ESA arm mounted on ceiling bracket, swivel 180°

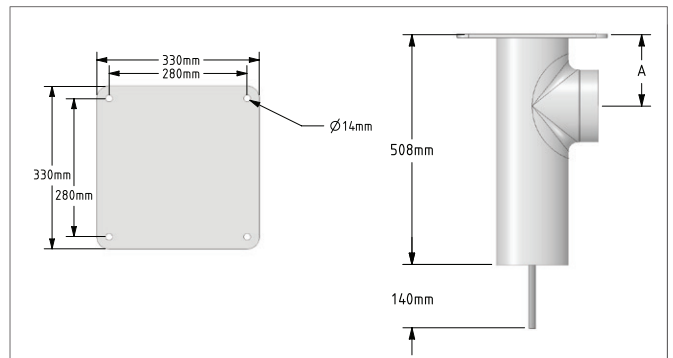


ESA arm mounted on ceiling bracket, swivel 360°

### Dimensions



Bracket floor/ceiling L=400-2500 mm. Only for use with ESA arm up to 5 meter.

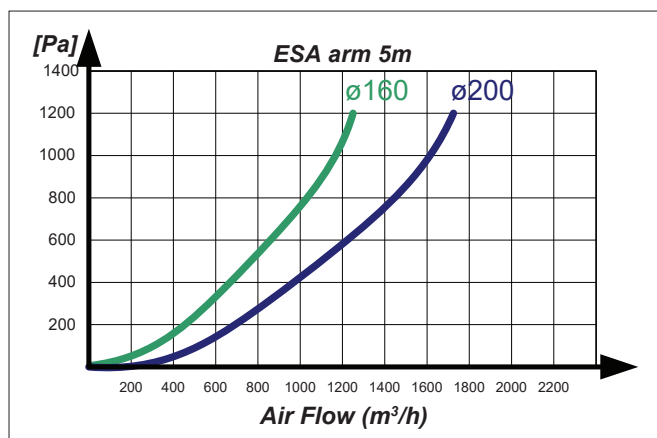
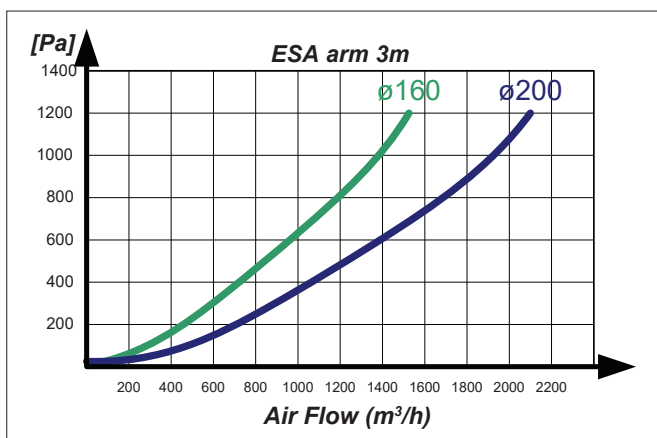
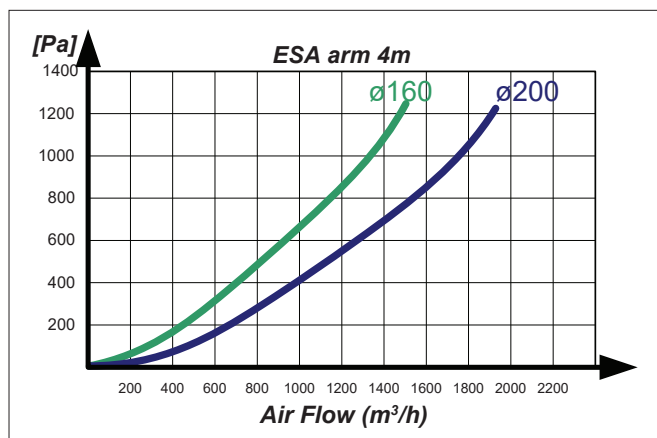
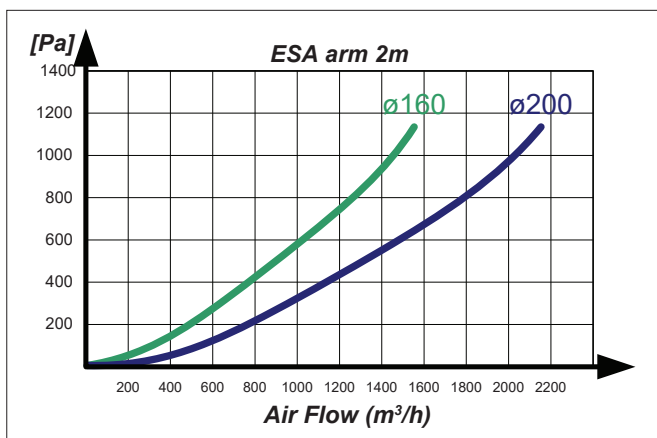


01-681 Ceiling bracket 360°



ESA arm mounted on a ceiling bracket

Pressure drop



**Damper**

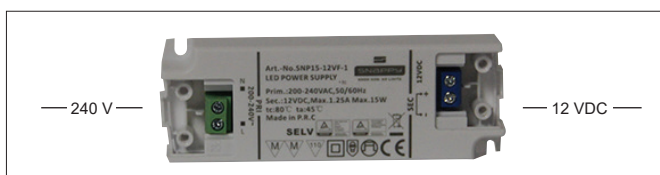
The damper is not fitted from the factory.

**ESA arm with light**

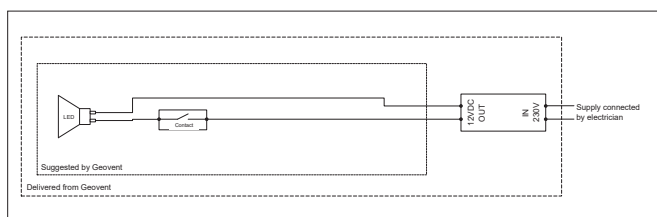
The lamp and the net are factory fitted. Connection of the light is made by passing the wire from the lamp inside the tube. The wire is pulled through the hose and led out through the hose or tube near the transformer. The wire must be connected to the transformer. The transformer is then connected to the mains.

**Light specifications:**

- Type: LED
- Power: 5 W 36°
- Voltage: 12 V
- Supply voltage: 230-240V - 50-60 Hz
- Transformer power: 12 VDC, Max 1.25 A, Max 15 W



The wire from the lamp must be connected to 12 VDC.



For further information on installation requirements etc., please refer to our instruction manual.