

Location:

Client:

Amendments

Rev.	Date	Description	By

Issued For Construction:

Date Drawn: June 6, 2023

General Notes:

1. All parts manufactured as per CSA Standards
2. Optional: StormPal Bases can be poured on site
3. Two years of inspection & effluent testing included
4. Bi-yearly maintenance is required
5. Length of Retention Trench varies to suit storm water storage volume
6. Drawings and Unit not to be reproduced without expressed written consent from StormPal Corp.

Scale:

Drawn By: L.S. E.I.T. C.S. E.I.T.

Designed By: G.S. P.Eng.

Drawing Title:
Storm Water Quality Retention
and Treatment Structure

Drawing Number:

Sqrts1

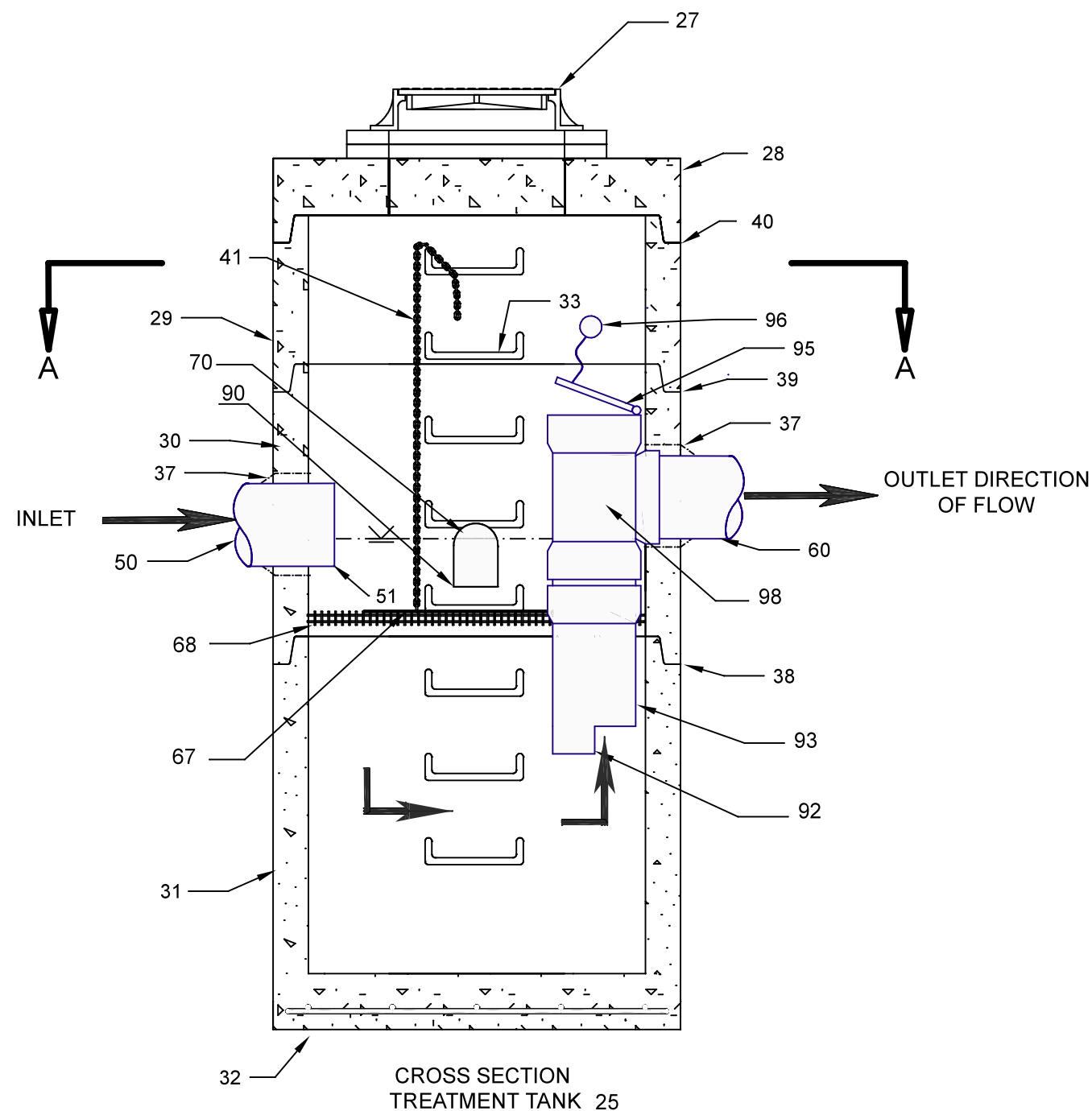
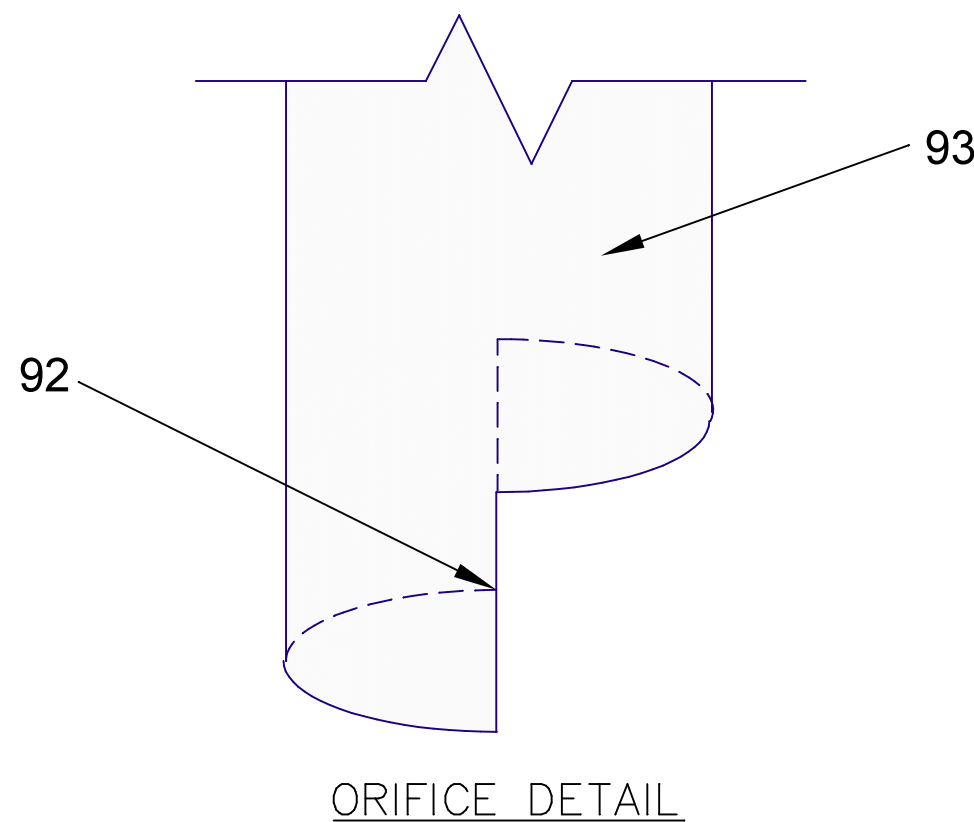
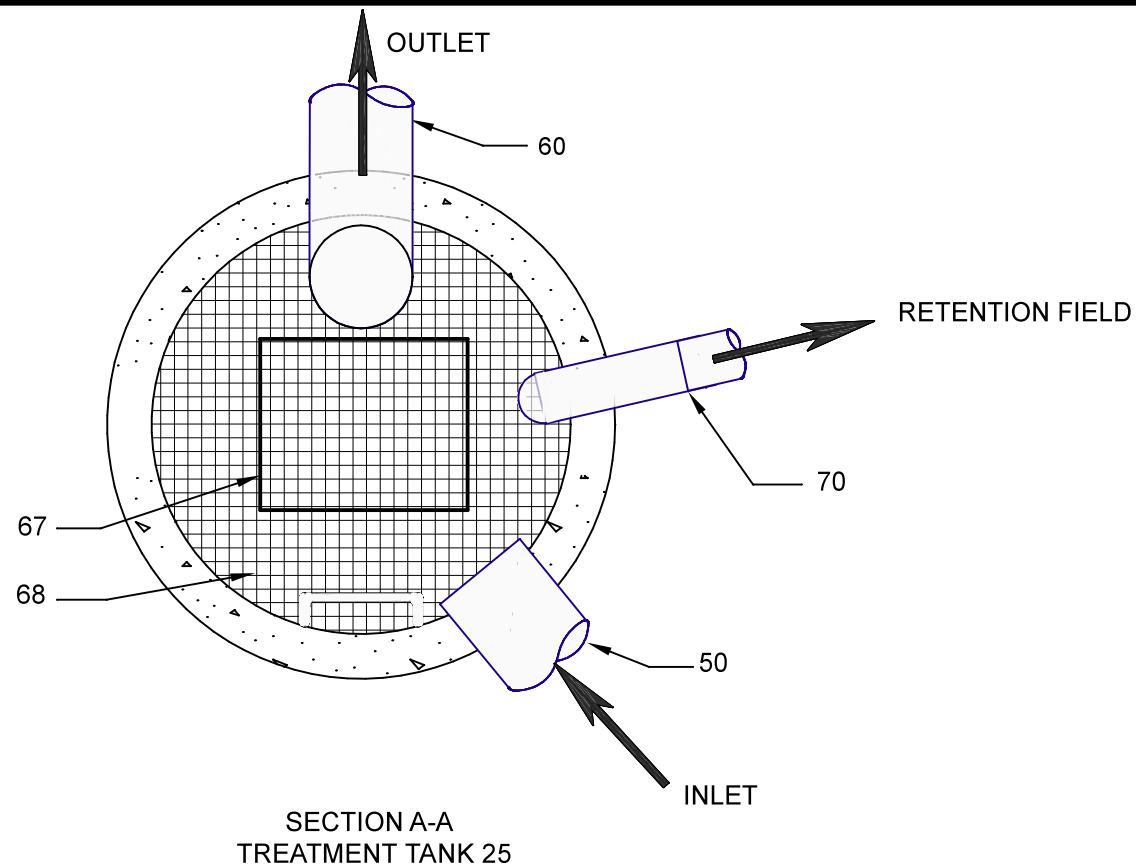


FIGURE 1



PATENT PENDING

CONFIDENTIAL INFORMATION