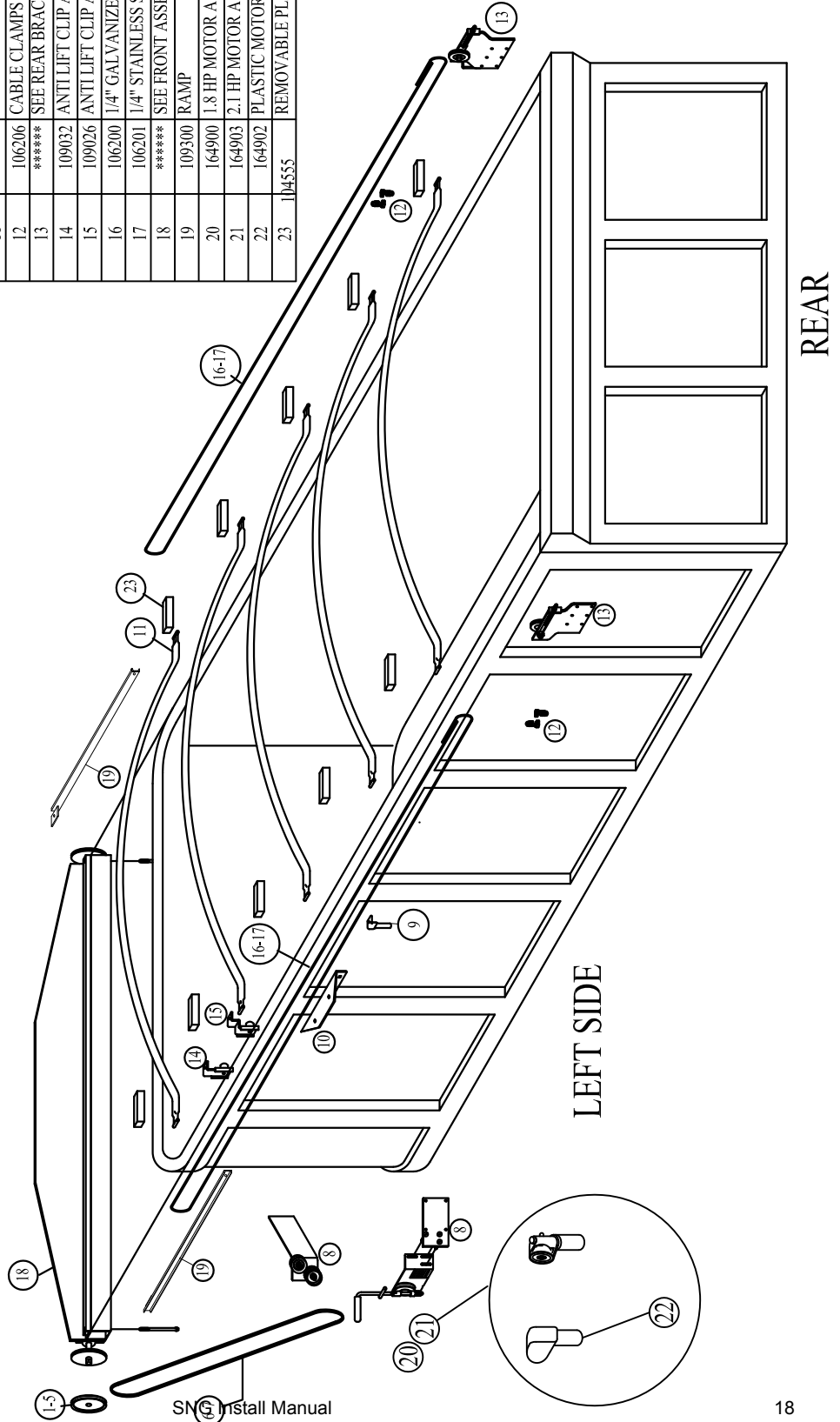
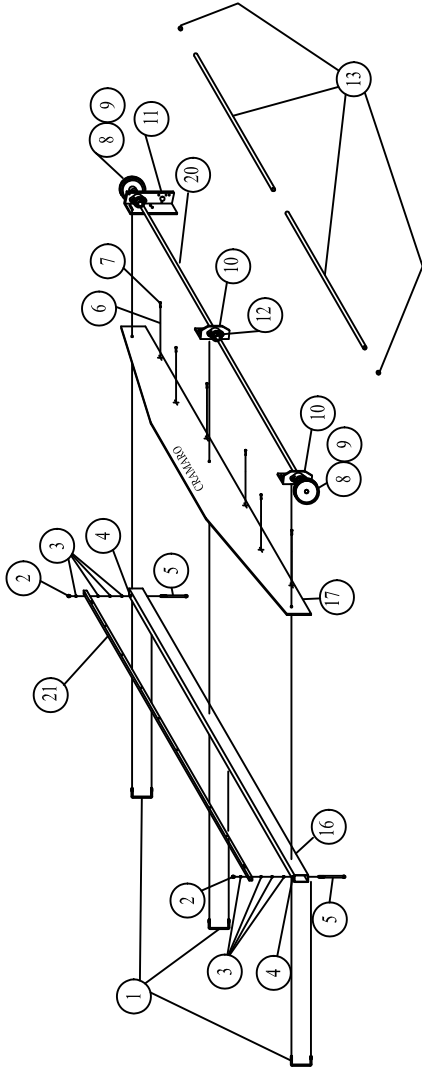


SLIDE N GO®

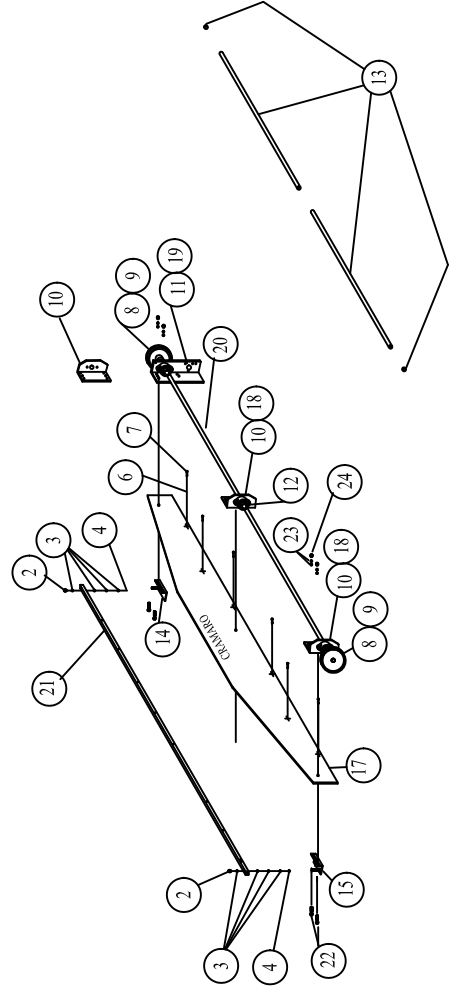
ITEM	PART #	DESCRIPTION
1	105030	V-BELT PULLEY 7"
2	105035	V-BELT PULLEY 9"
3	105050	CHAIN SPROCKET 5"
4	105055	CHAIN SPROCKET 7"
5	105060	CHAIN SPROCKET 9"
6	105075	CHAIN #40 NICKEL PLATED
7	*****	SEE PART LIST #106005 - 106064 FOR BELTS & PRICING
8	*****	SEE IDLER AND DRIVE ASSEMBLY PAGE
9	109025	SLIP CLIP
10	109028	ANTI LIFT ALUMINUM GUIDE
11	*****	SEE PART LIST #108106 - 108612 FOR BOWS & PRICING
12	106206	CABLE CLAMPS 1/4"
13	*****	SEE REAR BRACKET ASSEMBLY PAGE
14	109032	ANTI LIFT CLIP ASSEMBLY SINGLE BEND
15	109026	ANTI LIFT CLIP ASSEMBLY DOUBLE BEND
16	106200	1/4" GALVANIZED STEEL CABLE
17	106201	1/4" STAINLESS STEEL CABLE
18	*****	SEE FRONT ASSEMBLY PAGE
19	109300	RAMP
20	164900	1.8 HP MOTOR ASSEMBLY
21	164903	2.1 HP MOTOR ASSEMBLY
22	164902	PLASTIC MOTOR COVER
23	104555	REMOVABLE PLASTIC BOW END



2 X 4 OPTION WITH SHIELD (ELECTRIC ONLY)
(SEE PART LIST #104060 - 104064 FOR COMPLETE NEW STYLE 2X4 SHAFT ASSEMBLY)



MANUAL OR ELECTRIC
(SEE PART LIST #104030 - 104054 FOR COMPLETE NEW STYLE SHAFT ASSEMBLY)



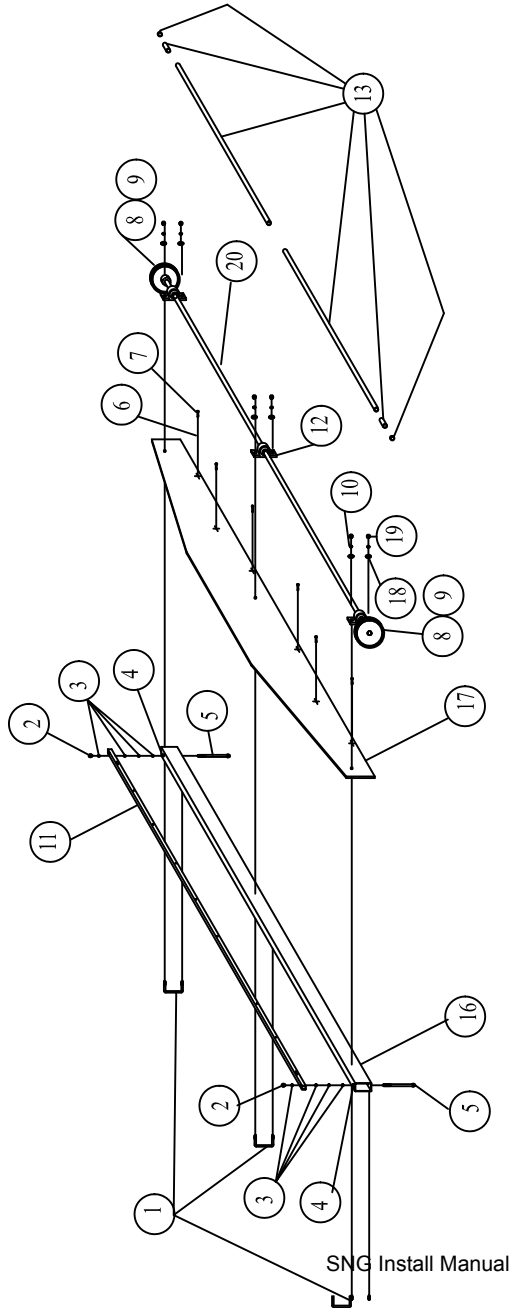
ITEM	PART #	DESCRIPTION
1	106250	U BOLT
2	407405	1/2" NUT
3	406440	1/2" LOCK WASHER
4	400003	1/2" RETAINING RING
5	401452	1/2" X 7" BOLT
6	406150	1/4" FLAT WASHER
7	404120	1/4" X 1" TEK SCREW
8	105004	CABLE PULLEY 5"
9	105005	CABLE PULLEY 7"
10	108805	ALUMINUM SHAFT ANGLE BEARING SUPPORT
11	108810	ALUMINUM SHAFT MOTOR BRACKET
12	116050	1" SIDE MOUNT BEARING
13	109205	PLASTIC SHAFT COVER TUBE KIT C/W PLASTIC & O-RINGS
14	108807	FRONT PIPE ADAPTOR BRACKET RIGHT
15	108808	FRONT PIPE ADAPTOR BRACKET LEFT
16	*****	SEE PART LIST #103105 - 103120 FOR 2X4 BEAM
17	109115	PLASTIC SHIELD
18	108806	STEEL SHAFT ANGLE BEARING SUPPORT
19	108809	STEEL SHAFT MOTOR BRACKET
20	*****	SEE PART LIST #103005 - 103030 FOR SHAFT MATERIAL
21	*****	SEE PART LIST #107810 - 107854 FOR FRONT PIPE
22	401310	3/8" X 1 1/4" HHCS GR5 COARSE THREAD BOLT
23	406350	3/8" FLAT WASHER
24	407315	3/8" NYLOCK NUT
25	*****	SEE PART LIST #104000 - 104024 FOR SHAFTS
26	413455	5/16" X 2 1/2" ROLL PIN ZINC PLATED
27	601415	SPROCKET #50B18-1" BORE
28	160000	KEYSTOCK 3/16"
29	601410	SPROCKET #50BS9-3/4" BORE
30	601405	#50 MASTER LINK
31	600001	CHAIN COVER
32	601400	NICKEL PLATED #50 22" CHAIN WITH MASTER LINK

CRAMARO SLIDE N GO®

ORIGINAL MANUAL STYLE FRONT SHAFTS

2 X 4 OPTION WITH SHIELD

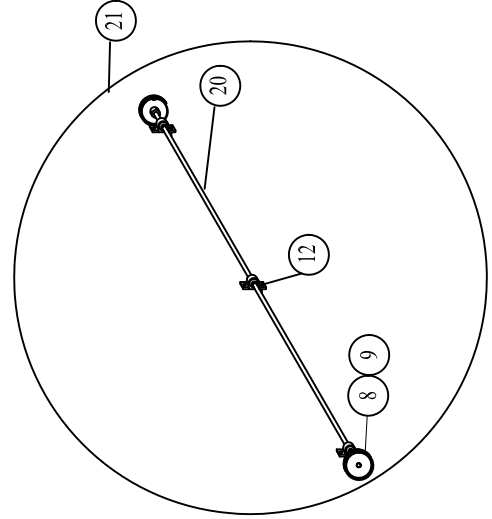
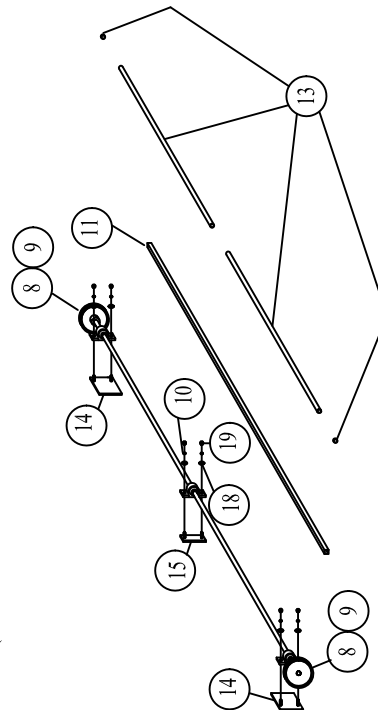
(SEE PART LIST #108620-108650 FOR COMPLETE ORIGINAL 2X4 SHAFT ASSEMBLY)

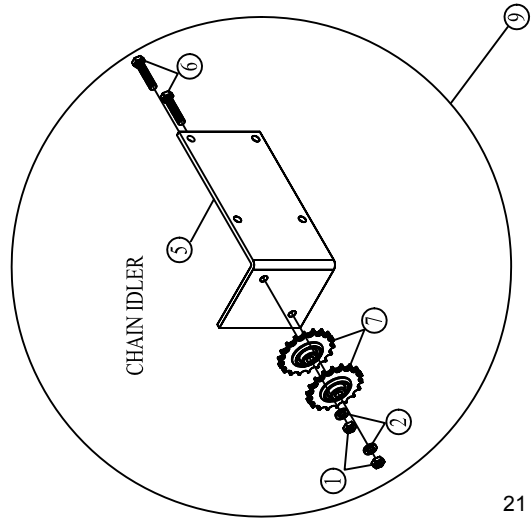
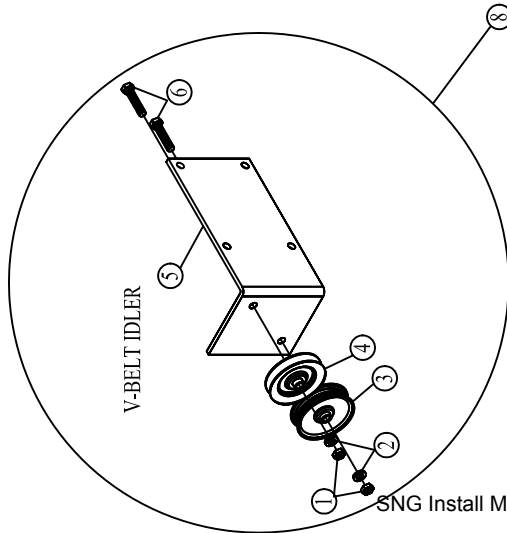


ITEM	PART #	DESCRIPTION
1	106250	U BOLT
2	407405	1/2" NUT
3	406440	1/2" LOCK WASHER
4	400003	1/2" RETAINING RING
5	401452	1/2" X 7" BOLT
6	406150	1/4" FLAT WASHER
7	404120	1/4" X 1" TEK SCREW
8	105004	CABLE PULLEY 5"
9	105005	CABLE PULLEY 7"
10	406340	3/8" LOCK WASHER
11	*****	SEE PART LIST #107810 - 107854 FOR FRONT PIPE
12	105010	1" PILLOW BLOCK SHAFT BEARING
13	109205	PLASTIC SHAFT COVER TUBE KIT C/W PLASTIC & O-RINGS
14	107130	SHAFT SUPPORT STEEL END PLATE
15	107135	SHAFT SUPPORT STEEL CENTER PLATE
16	*****	SEE PART LIST #103105 - 103120 FOR 2X4 BEAM
17	109115	PLASTIC SHIELD
18	406330	3/8" FLAT WASHER
19	407305	3/8" NUT
20	*****	SEE PART LIST #103005 - 103030 FOR SHAFT MATERIAL
21	*****	SEE PART LIST #108600 - 108610, 108615 - 108616 FOR SHAFTS

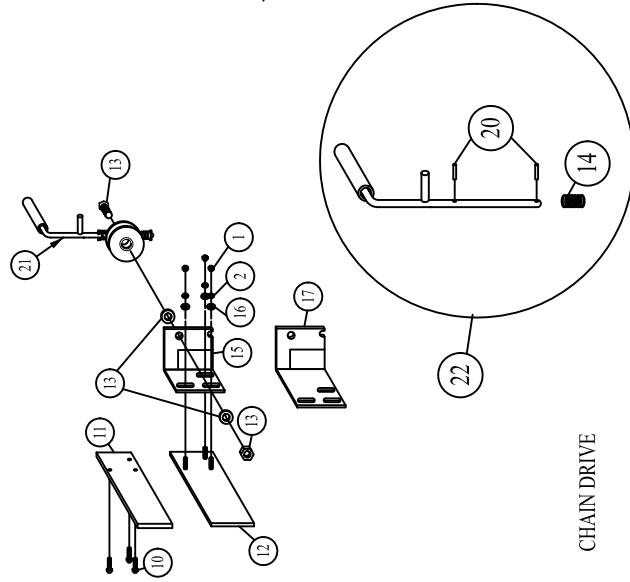
SHAFT CENTER & END PLATES (STEEL)

(SEE PART LIST #108720 - 108760 FOR COMPLETE ORIGINAL SHAFT ASSEMBLY)

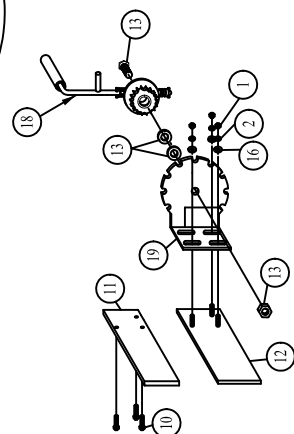




V-BELT DRIVE

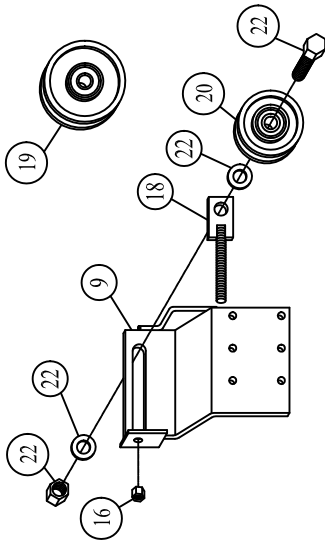


CHAIN DRIVE

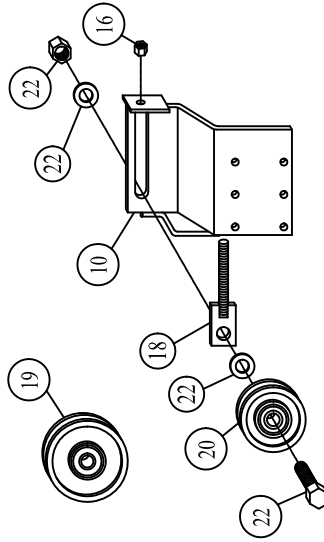


ITEM	PART #	DESCRIPTION
1	407305	3/8" NC NUT
2	406340	3/8" LOCK WASHER
3	105105	IDLER FLAT GROOVE PULLEY
4	105110	IDLER V-GROOVE PULLEY
5	109170	IDLER BRACKET
6	401312	3/8" X 1 1/2" HHCS GR5 COARSE THREAD BOLT
7	105115	IDLER CHAIN SPROCKET
8	109172	IDLER ASSEMBLY FOR V-BELT
9	109171	IDLER ASSEMBLY FOR CHAIN
10	401310	3/8" x 1 1/4" HHCS GR5 COARSE THREAD BOLT
11	107100	HANDLE ADAPTOR PLATE ALUMINUM
12	107105	HANDLE ADAPTOR PLATE STEEL
13	400000	3/4" CUT HEAD BOLT HARDWARE KIT
14	100007	2 3/4" COMPRESS SPRING ZINC PLATED
15	107256	HANDLE BRACKET SHORT 90°
16	406350	3/8" USS FLAT WASHER
17	107250	HANDLE BRACKET LONG 90°
18	107275	HANDLE CHAIN ASSEMBLY
19	107257	HANDLE BRACKET CHAIN MULTI POSITION
20	410050	7/32" X 1" ROLL PIN PLATED
21	107270	HANDLE V-BELT ASSEMBLY
22	106106	HANDLE SNG CHAIN OR BELT C/W PIN AND SPRING

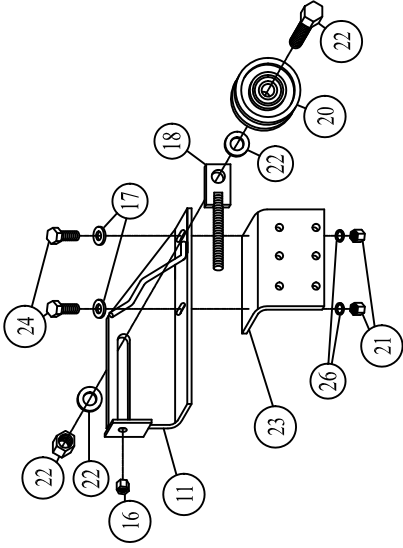
REAR BRACKET ASSEMBLY (L) (1) (3)



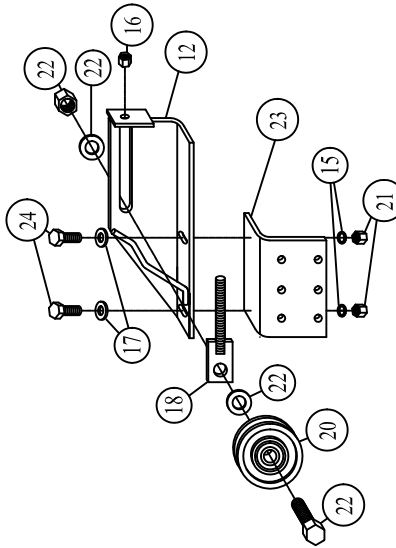
REAR BRACKET ASSEMBLY (R) (2) (4)



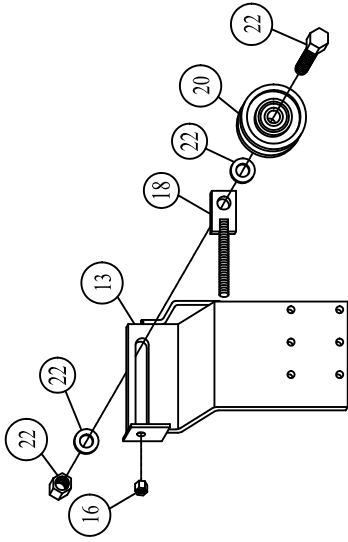
ADJUSTABLE REAR BRACKET ASSEMBLY (L) (5)



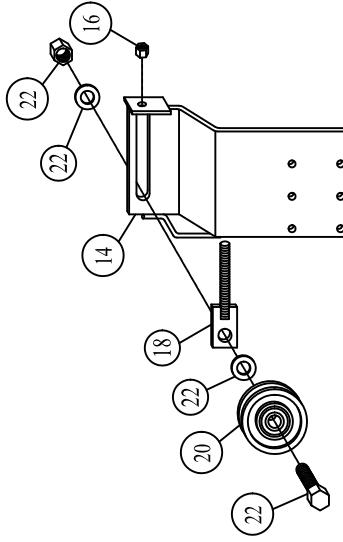
ADJUSTABLE REAR BRACKET ASSEMBLY (R) (6)



TALL REAR BRACKET ASSEMBLY (L) (7)



TALL REAR BRACKET ASSEMBLY (R) (8)



ITEM	PART #	DESCRIPTION
1	107710	STANDARD REAR BRACKET ASSEMBLY C/W 4" PULLEY LEFT
2	107711	STANDARD REAR BRACKET ASSEMBLY C/W 4" PULLEY RIGHT
3	107772	STANDARD REAR BRACKET ASSEMBLY C/W 5" PULLEY LEFT
4	107773	STANDARD REAR BRACKET ASSEMBLY C/W 5" PULLEY RIGHT
5	107755	ADJUSTABLE REAR BRACKET ASSEMBLY C/W 4" PULLEY LEFT
6	107750	ADJUSTABLE REAR BRACKET ASSEMBLY C/W 4" PULLEY RIGHT
7	107775	TALL REAR BRACKET ASSEMBLY C/W 4" PULLEY LEFT
8	107770	TALL REAR BRACKET ASSEMBLY C/W 4" PULLEY RIGHT
9	102006	REAR BRACKET PLATE LEFT
10	102005	REAR BRACKET PLATE RIGHT
11	102011	ADJUSTABLE UPPER REAR BRACKET LEFT
12	102010	ADJUSTABLE UPPER REAR BRACKET RIGHT
13	102016	TALL REAR BRACKET PLATE LEFT

ITEM	PART #	DESCRIPTION
14	102015	TALL REAR BRACKET PLATE RIGHT
15	406440	1/2" LOCK WASHER
16	407405	1/2" UNC NUT
17	406452	1/2" SAE FLAT WASHER
18	107700	REAR BRACKET SPANNER
19	105021	REAR CABLE PULLEY 5"
20	105020	REAR CABLE PULLEY 4"
21	407410	1/2" UNF NUT
22	400000	CUT HEAD BOLT HARDWARE KIT
23	102013	ADJUSTABLE LOWER REAR BRACKET
24	401415	1/2" X 1 1/4" HHCS UNF BOLT