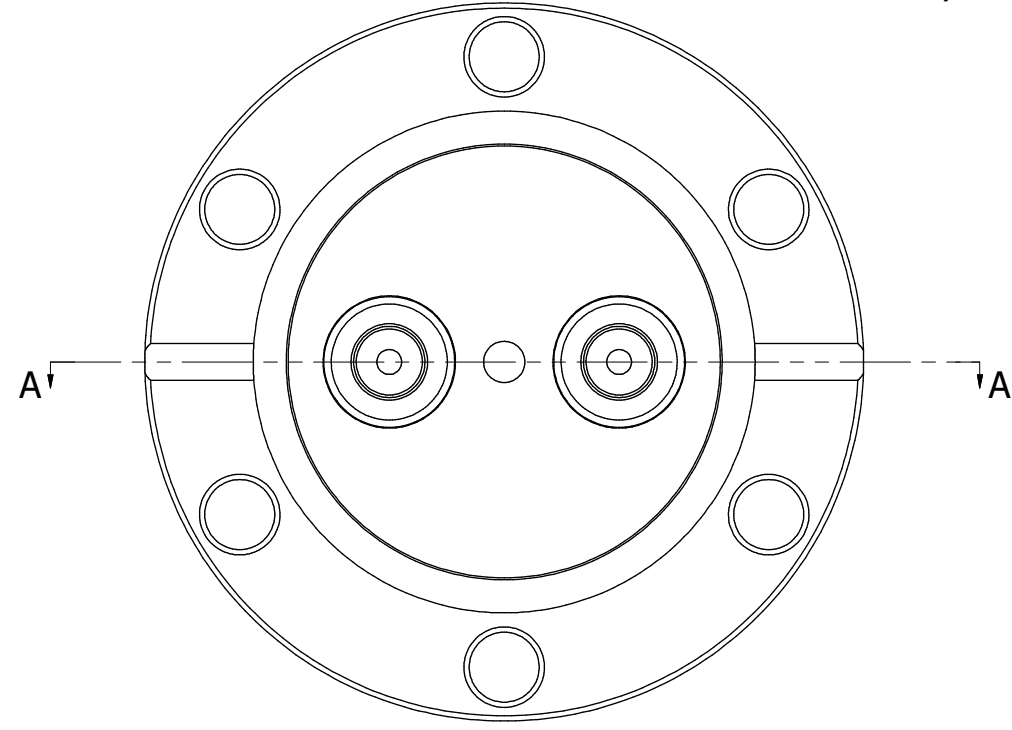


SECTION A-A
SCALE 4 : 1

Lesker IFTMG022033
INST F/T,MHV,GRNDED,5KV,(2)
.094"SS COND,3A,2.75"UHV

Drill, tap #10-32
Fully threaded



DRAWN	seltzman	3/31/2017	
CHECKED			TITLE
QA			
MFG			
APPROVED			
SIZE	D	DWG NO	baseplate_lesker_ifmg022033
SCALE	4 : 1	SHEET	1 OF 1