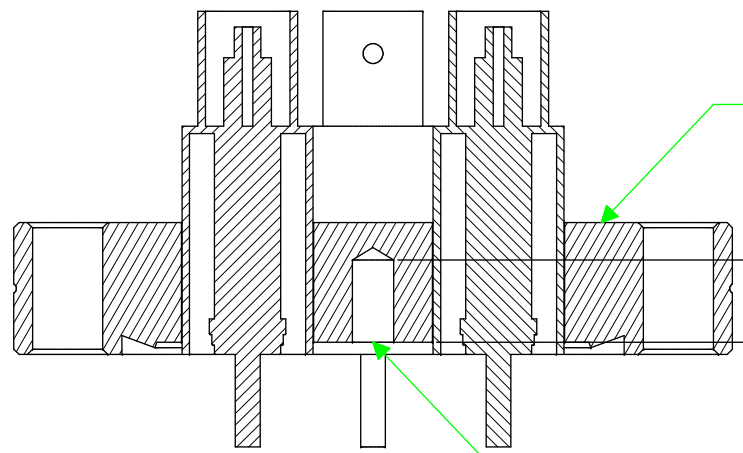
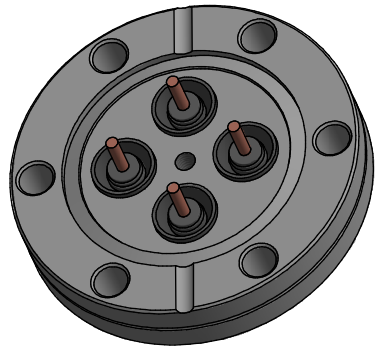
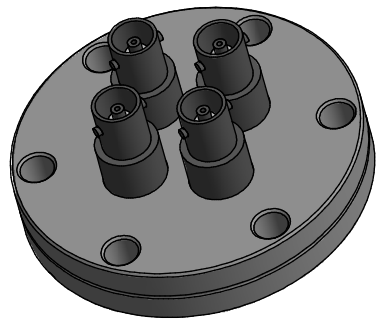


8 | 7 | 6 | 5 | 4 | 3 | 2 | 1

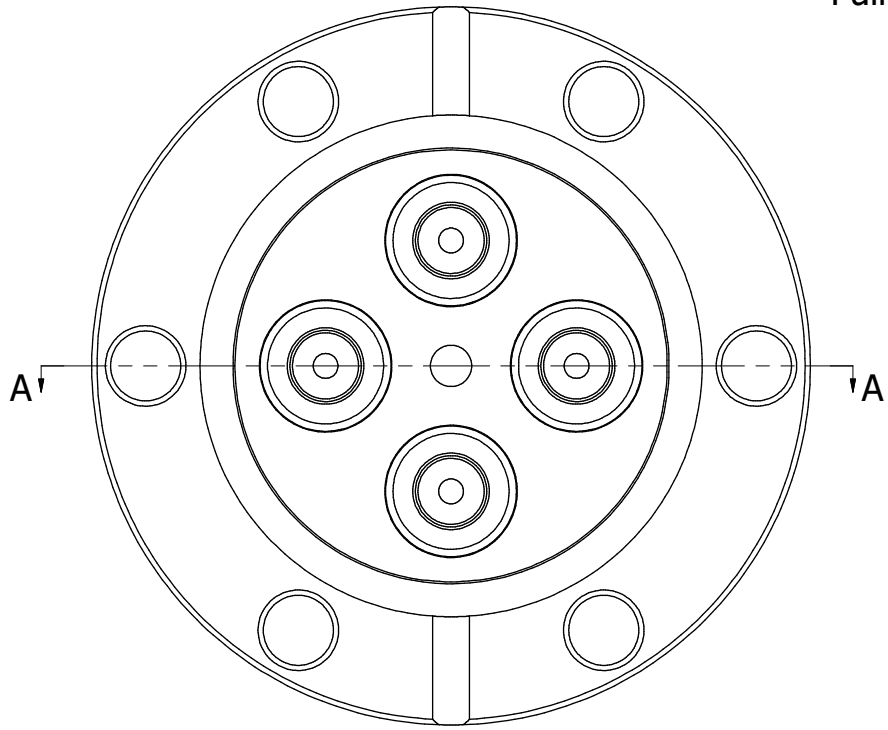


Lesker IFTMG042033  
INST F/T,MHV,GRNDED,5KV,(4)  
.094"SS COND,3A,2.75"UHV

.312 ±005

SECTION A-A  
SCALE 4 : 1

Drill, tap #10-32  
Fully threaded



A'

A

DRAWN	seltzman	3/28/2017		
CHECKED			TITLE	
QA				
MFG				
APPROVED				
		SIZE	DWG NO	REV
		D	baseplate_lesker_ifmg042033	
		SCALE 4 : 1		SHEET 1 OF 1

8 | 7 | 6 | 5 | 4 | 3 | 2 | 1