

410SS Case / Flux Return

410SS Pole Piece

$1.000 \pm .005$

$1.250 \pm .005$

$.750 \pm .005$

SmCo High Temperature Magnet  
Compatible With Hydrogen or Deuterium

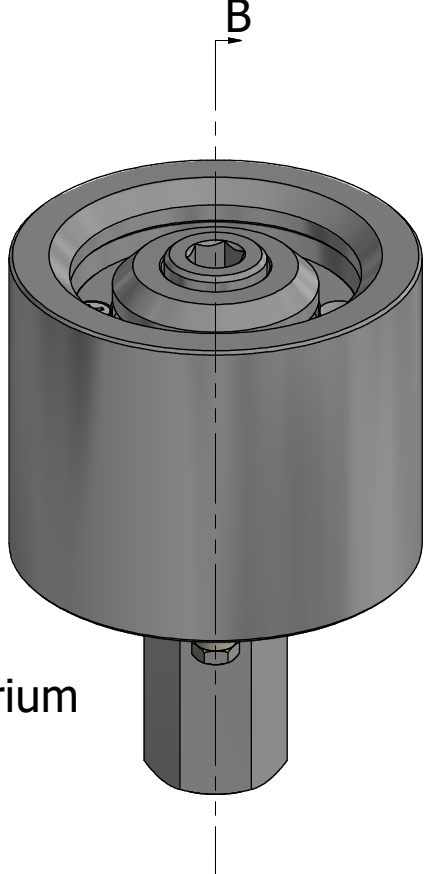
Alumina Insulator

Shaft Clip Retainer

0-80 Thread

SECTION B-B  
SCALE 8 : 1

10-32 FF Standoff



DRAWN	seltzman	8/17/2017		
CHECKED			TITLE	
QA				
MFG				
APPROVED				
	SIZE	Dwg NO	REV	
	5	1	Anode-layer-ion-source-CS	MM
	SCALE	1	SHEET	1
			OF	1