



CAVAGNA group
Advanced Solutions for Gas Control

LPG & NATURAL GAS REGULATORS DIVISION

**GENERAL PRODUCT CATALOGUE
COMPLETE RANGE OF REGULATORS
ACCESSORIES AND ASSOCIATED FITTINGS**



CAVAGNA group

Advanced Solutions for Gas Control

LPG & NATURAL GAS REGULATORS DIVISION

LPG 5 YEARS LIMITED WARRANTY

1 - Compliance of the products

Subject to the provisions of this article, the seller guarantees the compliance of the products supplied; by the term "compliance of the products" is meant that they correspond in quantity, quality, and type with what was agreed in the contract and that they are without defects that could render them unfit for the use to which they are intended to be put.

2 - Extent of the guarantee

The guarantee against defects is limited only to product defects due to defects in planning, materials or construction that can be attributed to the seller, and does not apply in the case where the buyer is unable to prove a correct preservation of the products, and neither that he has modified them without the agreement of the seller.

Furthermore, the seller is not liable for defects in product compliance due to the normal wear of those parts, which by their nature, are subject to rapid and continuous wear and tear (for example: lining, etc.).

In general, in no case is the seller liable for defects in compliance, whose cause lies in a fact subsequent to the transfer of risk to the buyer.

The present guarantee is valid only when the products are installed, used and maintained in conformity with the instructions furnished by the seller (inserted in the Warning Paper) and with the requests and dispositions of the voluntary or mandatory laws and regulations existing in the country where the products are used or, where there's no laws, in conformity with the good technical work rules of the sector.

3 - Claims

The buyer is required to control the compliance of the products and the absence of flaws. The buyer should report any flaws or defects in product compliance, in the following ways:

- a) Claims for shortage or damages apparent from exterior examination of package contents must be expedited as soon as the products arrived at their place of destination or risk forfeiture;
- b) claims relevant to quantity, colour, quality flaws or defects or non-compliance that the buyer would be able to point out as soon as he takes possession of the goods, must be made shortly after the time when the products arrived at their place of destination and, in any event, on lapse of the guarantee not later than 15 days after that time;
- c) hidden flaws, defects or non-compliance (that is, those not identifiable according to the inspection imposed by law and by the preceding subparagraph on the buyer) must be reported shortly after the discovery and in any event, on lapse of the guarantee, not later than 5 years from the delivery date.

Claims must be made by registered letter, addressed to the head office of the seller and must describe in detail the flaws or disputed non-compliance.

In order to preserve this warranty, the buyer will not execute any intervention on the product (disassembling, repair, modification, etc.) without the seller prior written agreement.

The buyer forfeits his guarantee rights if he does not consent to every reasonable control requested by the seller, or if after the seller has requested the return of the defective products at his own expenses, the buyer omits to return them within 5 working days from the request.

In the event that the claim turns out to be unfounded, the buyer will be required to reimburse the seller for all the expenses sustained by him in verifying the claim (travel, expert valuations, transport expenses etc..).

4 - Remedies

Following a report by the buyer duly made in accordance with the previous point 3, the seller, within a reasonable period having regard to the context of the claim, may, at his discretion:

- a) supply ex factory to the buyer products of the same kind and quantity as those that have been proved to be defective or not in compliance with what was

agreed; in such a case the seller can require the return of the defective products, which become his property.

b) declare in writing the cancellation of the contract, offering the restitution of the sum paid against the restitution of the supplied products.

No other cost (such as disassembling and/or reassembling of the products, transportation from/to the premises of buyer's customers, etc.) shall be charged to the seller.

5 - Limit of seller's liability

The guarantee contained in the previous points supersedes all legal warranty for defects and compliance, and excludes any other possible liability of the seller, however originating, from the products supplied. In particular, the buyer can not put forward another claim for compensation in respect of any further damages, reduction of the price or cancellation of the contract. Once the period of the guarantee has expired no valid claim can be made against the seller.

In no event shall seller be liable to buyer for any direct, incidental, indirect, consequential or exemplary damages, including without limitation any claim for damages based on lost revenues or profits, however caused.

No exceptions to the provisions of the present point and to the previous ones will be considered valid unless expressly and specifically defined and accepted by the parties in writing.

6 - Technical regulations

Whereas for that which concerns the product characteristics the seller complies with the legislation and the technical regulations prevailing in Italy and the European Directives, and that will be furnished on request, the buyer assumes the whole risk of any difference between the European Directives plus the Italian regulations and those of the country of destination of the products, and indemnifies the seller in respect of it, unless if they have been previously communicated to him.

The seller guarantees the performance of products of his manufacture only and exclusively in relation to uses, destinations, applications, tolerances, capacities, etc.. that have been expressly indicated by him, with the sole exception of uses, destinations and applications that, to the common knowledge acquired by normal users, are clearly and unequivocally attributable to the products in question.

The buyer is not authorised to dispose of the products supplied to him by the seller in a way which does not conform to the indications described in the previous sub-paragraph and in the instruction given by seller.

Where the buyer intends the said products to be resold, it shall be his responsibility:

- a) informing his purchasers of the indications in question;
- b) any further periods of guarantee he decides to grant to his purchasers exceeding the ones granted to him by Seller according to paragraph 3










7 - Personal injuries and property damages

Seller shall indemnify buyer from and against any and all claims, demands, losses, liabilities alleged by third parties relating to personal injuries and property damages suffered as a result of a defective product. In such event, seller will exclusively be responsible within the limits, terms and conditions of the product liability insurance policy held by it (a copy of the current policy is available upon request).

In case of potential damages to third parties that may arise from a defective product, the parties shall work together in good faith to determine the nature and extent of the appropriate measures to be taken, including recall operations.

It is understood that the costs and expenses associated with the recall or other measures shall be paid by seller within the limits, the terms and the conditions set forth in its liability

insurance policy, with the exclusion of the costs connected to the finding of the Products in the market, that will be supported by the Buyer.

		SUBJECT	PAGES
	Part 1 REGULATORS FOR DOMESTIC USE	<i>SINGLE STAGE LOW PRESSURE</i>	1/1
		<i>DOUBLE STAGE LOW PRESSURE</i>	1/16
		<i>FIRST STAGE HIGH PRESSURE</i>	1/27
		<i>SECOND STAGE LOW PRESSURE</i>	1/37
	Part 2 REGULATORS FOR CAMPING AND CARAVAN	<i>SINGLE STAGE LOW PRESSURE</i>	2/1
		<i>DOUBLE STAGE LOW PRESSURE</i>	2/2
	Part 3 REGULATORS FOR INDUSTRIAL AND D.I.Y. USE	<i>SINGLE STAGE MEDIUM PRESSURE</i>	3/1
		<i>SINGLE STAGE HIGH PRESSURE</i>	3/6
		<i>FIRST STAGE HIGH PRESSURE</i>	3/17
		<i>SECOND STAGE MEDIUM PRESSURE</i>	3/18
	Part 4 ADAPTERS	<i>CLIP-ON ADAPTERS</i>	4/1
	Part 5 PRESSURE GOVERNORS	<i>PRESSURE GOVERNORS</i>	5/1
	Part 6 HOSES	<i>HIGH PRESSURE HOSES</i>	6/1
		<i>LOW PRESSURE HOSES</i>	6/2
	Part 7 ACCESSORIES	<i>ACCESSORIES</i>	7/1
	Part C INSTALLATION SYSTEMS	<i>TYPES OF DOMESTIC INSTALLATIONS</i>	C1
		<i>TYPE OF CAMPING AND CARAVAN INSTALLATIONS</i>	C15
		<i>TYPE OF INDUSTRIAL INSTALLATIONS AND D.I.Y. SELF</i>	C17
		<i>TYPES OF ADAPTER INSTALLATIONS</i>	C19
		<i>TYPES OF NATURELE GAS INSTALLATIONS</i>	C20
	Part D INLET / OUTLET CONNECTIONS	<i>REGULATOR INLET CONNECTIONS</i>	D1
		<i>REGULATOR OUTLET CONNECTIONS</i>	D5
		<i>HOSE INLET/OUTLET CONNECTIONS</i>	D8



CAVAGNA group
Advanced Solutions for Gas Control

LPG & NATURAL GAS REGULATORS DIVISION

Part 1



REGULATORS FOR DOMESTIC USE

Single Stage Low Pressure Regulator Compact Quick-On Type 634

Part 1
REGULATORS FOR
DOMESTIC USE



**SINGLE STAGE
LOW PRESSURE**



PRODUCT DESCRIPTION

Compact Quick-On is a non-adjustable single-stage low-pressure regulator with an inlet connection designed to fit automatic/self closing cylinder valves. Its compact and ergonomic shape makes this regulator perfectly handy and easy to use. To fit the regulator to the gas cylinder, first position the regulator on top of the automatic valve and then click it simply by exerting some downwards pressure. Gas opening and closing is done by a 1/4 turn of the regulator handle. The Compact Quick-On can be connected to or removed from the automatic valve only when the regulator handle is in the closed position (horizontal position). See the attached installation schematic D-01 and D-02 (pages C01) for instructions on how to fit it.

SAFETY DEVICES

Thermal safety device

All the Compact Quick-On models are generally equipped with a thermal safety device (fuse) which shuts off the gas flow in case of fire in the vicinity of the regulator/gas cylinder.

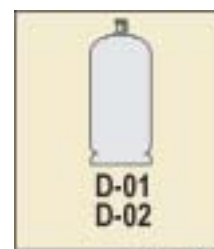
Excess-flow

On request, it is possible to have a safety device, the so-called "excess-flow valve", incorporated, which operates by limiting the gas passageway when the quantity of gas required by the appliance is greater than the regulator delivery capacity or whenever the appliance connecting hose gets accidentally disconnected or cut. Once the connection is reset and the anomaly is removed, the safety device shall reset automatically.

HOMOLOGATIONS *

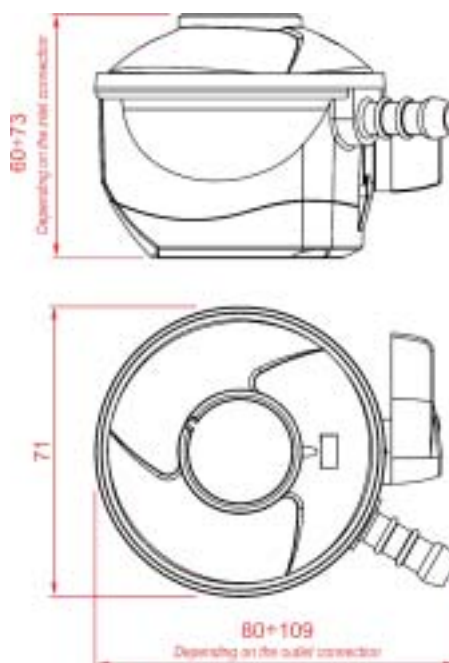
- Homol. NF (France)
- Homol. IMQ (Italy)
- Homol. SISIR (Singapore)
- Compliance with BS 3016 (U.K.)
- Compliance with- EN 12864 (EEC)

INSTALLATIONS



Pag. C01

DIMENSIONS



MATERIALS

- Body : Die Cast Zinc/Painted
- Spring: : Steel
- Diaphragms : Approved NBR

TECHNICAL FEATURES *

GAS	OUTLET PRESSURE <i>(Depending on the gas)</i>	CAPACITY <i>(Depending on the gas)</i>	WORKING TEMPERATURE	INLET CONNECTIONS <i>(pag. D03)</i>	OUTLET CONNECTIONS <i>(pag. D05-D06-D07)</i>
Butane Propane Butane/Propane	28 - 30 - 37 - 50 mbar	1 - 1,3 - 1,5 Kg/h	-20 ÷ +50 °C	TABLE B: B01 - B02 - B03 - B04 - B05	TABLE F: F03 - F04 - F05 - F06 - F07 TABLE H: H05

* Note: The table shows all the variants of the configurations/technical features available for this type of regulator. Homologation in compliance with a standard / country will relate to a specific combination of connections, technical features and performance criteria.

Single Stage Adjustable Low Pressure Regulator Type 712

Part 1
REGULATORS FOR
DOMESTIC USE



SINGLE STAGE LOW PRESSURE



PRODUCT DESCRIPTION

The Type 712 is an adjustable single-stage low-pressure regulator for domestic application, with a threaded inlet connection for direct connection to a cylinder valve.

The Type 712 is constructed to control the prevailing cylinder pressure reducing it directly down to the service appliance pressure.

Gas pressure regulation is possible by rotating the handle fitted on top of the regulator.

The Type 712 can be used for indoor installations, as shown in diagram D-01 (page C01).

SAFETY DEVICES

Excess-flow

On request, it is possible to have a safety, the so-called “**excess-flow valve**”, incorporated, which operates limiting the gas passageway when the quantity of gas required by the appliance is greater than the regulator delivery capacity or whenever the appliance connecting hose gets accidentally disconnected or cut.

Once the connection is reset and the anomaly is removed, the safety device shall reset automatically.

HOMOLOGATIONS *

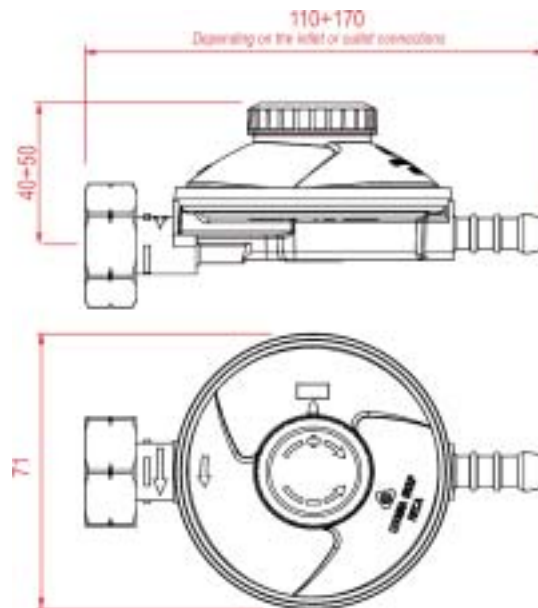
- Homol. IMQ (Italy)

INSTALLATIONS



Pag. C01

DIMENSIONS



MATERIALS

- Body : Die Cast Zinc/Painted
- Spring : Steel
- Diaphragms : Approved NBR

TECHNICAL FEATURES*

GAS	OUTLET PRESSURE (Depending on the gas)	CAPACITY (Depending on the gas)	WORKING TEMPERATURE	INLET CONNECTIONS (pag. D01-D02)	OUTLET CONNECTIONS (pag. D05)
Butane/Propane	22÷50 mbar 22÷60 mbar 22÷70 mbar 22÷90 mbar	1 - 1,3 - 1,5 Kg/h	-20 ÷ +50 °C	TABLE A: A01 - A02 - A11 - A29 - A30	TABLE F: F03 - F04

* Note: The table shows all the variants of the configurations/technical features available for this type of regulator.

Homologation in compliance with a standard / country will relate to a specific combination of connections, technical features and performance criteria.

Single Stage Low Pressure Regulator Type 714

Part 1
REGULATORS FOR
DOMESTIC USE



SINGLE STAGE LOW PRESSURE



PRODUCT DESCRIPTION

The Type 714 is a non-adjustable single-stage low-pressure regulator for domestic application, with a threaded inlet connection for direct connection to a cylinder valve.

The Type 714 is constructed to control the prevailing cylinder pressure reducing it directly down to the service appliance pressure.

The Type 714 can be used for installations as shown in diagrams D-01 and D-02 (page C01).

SAFETY DEVICES

Excess-flow

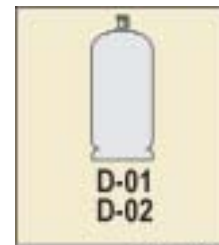
On request, it is possible to have a safety, the so-called “**excess-flow valve**”, incorporated, which operates limiting the gas passageway when the quantity of gas required by the appliance is greater than the regulator delivery capacity or whenever the appliance connecting hose gets accidentally disconnected or cut.

Once the connection is reset and the anomaly is removed, the safety device shall reset automatically.

HOMOLOGATIONS*

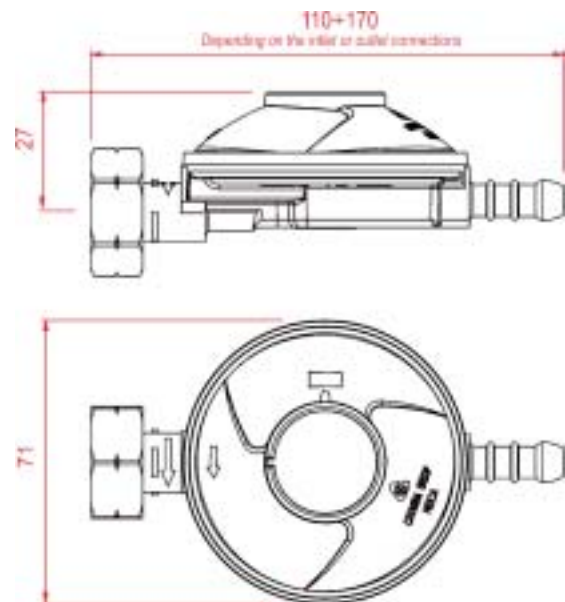
- Homol. NF (France)
- Homol. DVGW (German)
- Homol. IMQ (Italy)
- Homol. PCA (Poland)
- Homol. TGM (Austria)
- Compliance with BS 3016 (U.K.)
- Compliance with EN 12864 (EEC)

INSTALLATIONS



Pag. C01

DIMENSIONS



MATERIALS

- Body : Die Cast Zinc/Painted
- Spring: : Steel
- Diaphragms : Approved NBR

TECHNICAL FEATURES*

GAS	OUTLET PRESSURE (Depending on the gas)	CAPACITY (Depending on the gas)	WORKING TEMPERATURE	INLET CONNECTIONS (pag. D01-D02)	OUTLET CONNECTIONS (pag. D05-D06-D07)
Butane Propane Butane/Propane	28 - 30 - 37 - 50 mbar	1 - 1,3 - 1,5 Kg/h	-20 ÷ +50 °C	TABLE A: A01 - A02 - A03 - A05 - A06 A07 - A10 - A11 - A12 - A13 A14 - A15 - A16 - A17 - A18 A21 - A22 - A23 - A24 - A25 A26 - A27 - A28 - A29 - A30	TABLE F: F02 - F03 - F04 F05 - F06 - F07 <hr/> TABLE H: H02 - H07

* Note: The table shows all the variants of the configurations/technical features available for this type of regulator. Homologation in compliance with a standard / country will relate to a specific combination of connections, technical features and performance criteria.

Single Stage Low Pressure Regulator with Safety Relief Valve Type 718

Part 1
REGULATORS FOR
DOMESTIC USE



SINGLE STAGE LOW PRESSURE



PRODUCT DESCRIPTION

The Type 718 is a non-adjustable single-stage low-pressure regulator for domestic application, with a threaded inlet connection for direct connection to a cylinder valve.

The Type 718 is constructed to control the appliance prevailing cylinder pressure reducing it directly down to the service pressure.

The Type 718 can be used for outdoor installations only, as shown in diagrams D-02. (page C01).

SAFETY DEVICES

Safety Relief Valve - (SRV) Protection

The Type 718 regulator incorporates a pressure relief valve, a safety device designed to prevent the flow of gas at a pressure greater than the maximum allowable pressure of the gas burning appliance. This device operates discharging the excess pressure existing in the installation to the outside.

Excess-flow

On request, it is possible to have a safety, the so-called "excess-flow valve", incorporated, which operates limiting the gas passageway when the quantity of gas required by the appliance is greater than the regulator delivery capacity or whenever the appliance connecting hose gets accidentally disconnected or cut. Once the connection is reset and the anomaly is removed, the safety device shall reset automatically.

HOMOLOGATIONS*

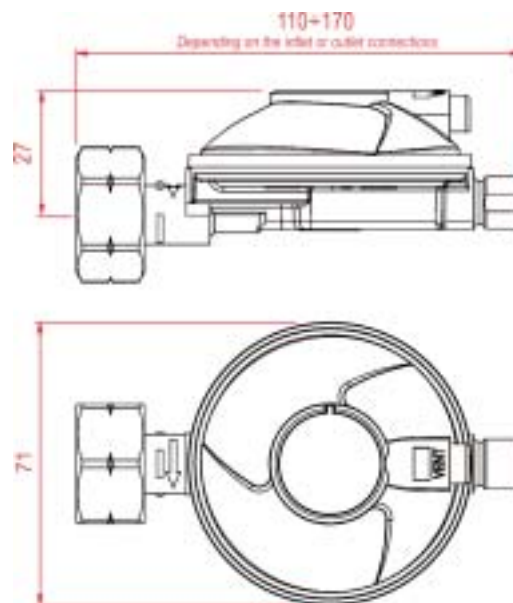
- Homol. DVGW (German)

INSTALLATIONS



Pag. C01

DIMENSIONS



MATERIALS

- Body : Die Cast Zinc/Painted
- Spring: : Steel
- Diaphragms : Approved NBR

TECHNICAL FEATURES*

GAS	OUTLET PRESSURE (Depending on the gas)	CAPACITY (Depending on the gas)	WORKING TEMPERATURE	INLET CONNECTIONS (pag. D01-D02)	OUTLET CONNECTIONS (pag. D05-D06-D07)
Butane Propane Butane/Propane	28 - 30 - 37 - 50 mbar	1 - 1,3 - 1,5 Kg/h	-20 ÷ +50 °C	TABLE A: A01 - A02 - A03 - A05 - A06 A07 - A10 - A11 - A12 - A13 A14 - A15 - A16 - A17 - A18 A21 - A22 - A23 - A24 - A25 A26 - A27 - A28 - A29 - A30	TABLE F: F02 - F03 - F04 F05 - F06 - F07 <hr/> TABLE H: H02 - H07

* Note: The table shows all the variants of the configurations/technical features available for this type of regulator.

Homologation in compliance with a standard / country will relate to a specific combination of connections, technical features and performance criteria.

Single Stage Low Pressure Regulator Type 718A

Part 1
REGULATORS FOR
DOMESTIC USE



SINGLE STAGE LOW PRESSURE



PRODUCT DESCRIPTION

The type 718A is a regulator with QCC1 type I connection.
The regulator 718A is designed to be connected directly to the cylinder tap and through the flexible hose, to the utilization appliance.
Other connection options are available.
The type 718A is a single stage low pressure regulator suitable for most domestic appliances. The type 718A is perfect for outdoor LP-Gas grills.
The Type 718A is constructed to control the prevailing cylinder pressure reducing it directly down to the service pressure.
The Type 718A can be used for outdoor installations only, as shown in diagrams D-02 (pages C01).

SAFETY DEVICES

Safety Relief Valve - (SRV) Protection

The type 718A is equipped with a safety relief valve, a safety device avoiding the gas flow to be at a pressure higher than the limit accepted by the utilization appliance. This device works releasing the overpressure inside the regulator into the atmosphere.

Excess flow

The device "excess flow" assembled into the regulator works in case of an increase of the requested flow rate, as it may happen in case of a breakage or in case the hose is disconnected at the outlet of the regulator. Once the connection is reset and the anomaly is removed, the safety device shall reset automatically.

HOMOLOGATIONS*

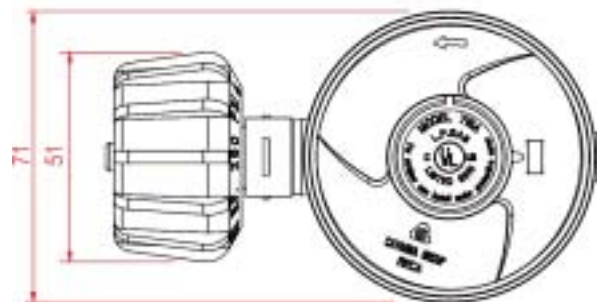
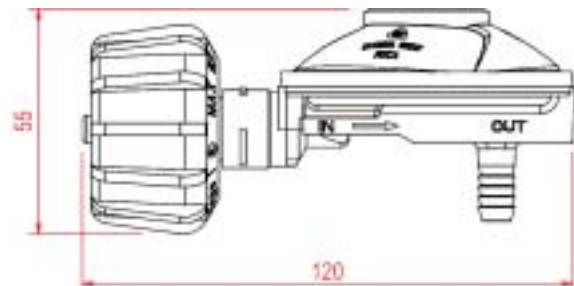
- Homol. UL (U.S.A.)

INSTALLATIONS



Pag. C01

DIMENSIONS



MATERIALS

- Body : Die Cast Zinc/Painted
- Spring: : Steel
- Diaphragms : Approved NBR

TECHNICAL FEATURES*

GAS	OUTLET PRESSURE (Depending on the gas)	CAPACITY (Depending on the gas)	WORKING TEMPERATURE	INLET CONNECTIONS (pag. D02)	OUTLET CONNECTIONS (pag. D05)
Propane	29 mbar (11" w.c.)	1 Kg/h (55.000 BTU)	-20 ÷ +50 °C	TABLE A: A19 - A24	TABLE G: F01

* Note: The table shows all the variants of the configurations/technical features available for this type of regulator.
Homologation in compliance with a standard / country will relate to a specific combination of connections, technical features and performance criteria.

Single stage Low Pressure Regulator with Safety Relief Valve Type 718B

Part 1
REGULATORS FOR
DOMESTIC USE



SINGLE STAGE LOW PRESSURE



PRODUCT DESCRIPTION

The regulator Type 718B is designed to be connected directly to the cylinder tap and through the flexible hose, to the utilization appliance.

The type 718B is a single stage low pressure regulator suitable for most domestic appliances.

The Type 718B is constructed to control the prevailing cylinder pressure reducing it directly down to the service pressure.

The Type 718B can be used for outdoor installations only, as shown in diagrams D-02 (pages C01).

SAFETY DEVICES

Safety Relief Valve - (SRV) Protection

The type 718B is equipped with a safety relief valve, a safety device avoiding the gas flow to be at a pressure higher than the limit accepted by the utilization appliance. This device works releasing the overpressure inside the appliance into the atmosphere.

HOMOLOGATIONS*

- Homol. UL (U.S.A.)

MATERIALS

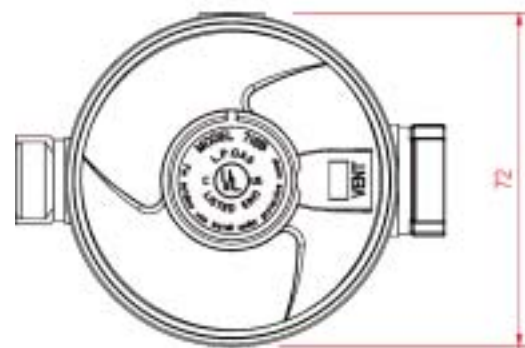
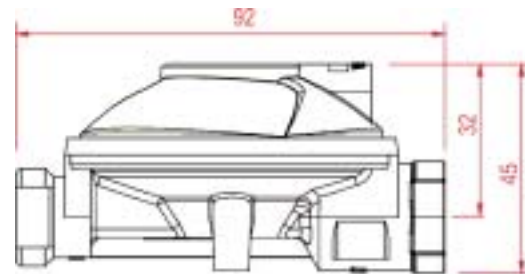
- Body : Die Cast Zinc/Painted
- Spring : Steel
- Diaphragms : Approved NBR

INSTALLATIONS



Pag. C01

DIMENSIONS



TECHNICAL FEATURES*

GAS	OUTLET PRESSURE (Depending on the gas)	CAPACITY (Depending on the gas)	WORKING TEMPERATURE	INLET CONNECTIONS (pag. D04)	OUTLET CONNECTIONS (pag. D05)
Propane	29 mbar (11" w.c.)	3 Kg/h (140.000 BTU)	-20 ÷ +50 °C	TABLE D: D01	TABLE G: G03

* Note: The table shows all the variants of the configurations/technical features available for this type of regulator.

Homologation in compliance with a standard / country will relate to a specific combination of connections, technical features and performance criteria.

Single Stage Low Pressure Regulator with Gauge Type 624

Part 1
REGULATORS FOR
DOMESTIC USE



**SINGLE STAGE
LOW PRESSURE**



PRODUCT DESCRIPTION

The Type 624 is a non-adjustable single-stage low-pressure regulator for domestic application, with a threaded inlet connection for direct connection to a cylinder valve.

The Type 624 is constructed to control the prevailing cylinder pressure reducing it directly down to the service pressure.

The Type 624 is constructed to control the prevailing cylinder pressure reducing it directly down to the service pressure.

The Type 624 can be used for installations as shown in diagrams D-01 and D02 (page C01).

SAFETY DEVICES

Gauge

The main feature of this regulator is the manometer allowing to test the leak-tightness of the complete installation once the appliance and the cylinder taps are closed.

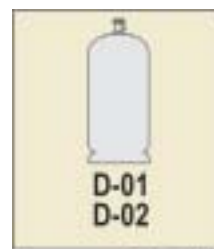
HOMOLOGATIONS*

- Homol. DVGW (German)

MATERIALS

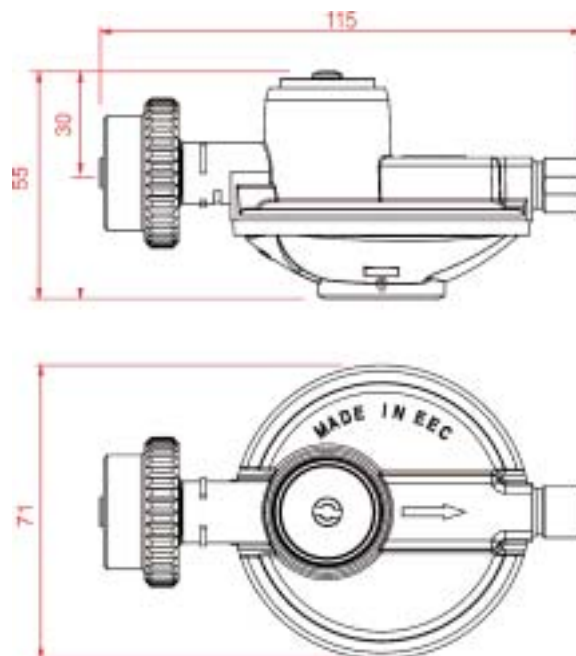
- Body : Die Cast Zinc/Painted
- Spring: : Steel
- Diaphragms : Approved NBR

INSTALLATIONS



Pag. C01

DIMENSIONS



TECHNICAL FEATURES*

GAS	OUTLET PRESSURE (Depending on the gas)	CAPACITY (Depending on the gas)	WORKING TEMPERATURE	INLET CONNECTIONS (pag. D01)	OUTLET CONNECTIONS (pag. D07)
Butane/Propane	30 - 50 mbar	1,5 Kg/h	-20 ÷ +50 °C	TABLE A: A05 - A07 - A08 - A10	TABLE H: H02

* Note: The table shows all the variants of the configurations/technical features available for this type of regulator. Homologation in compliance with a standard / country will relate to a specific combination of connections, technical features and performance criteria.

Single Stage Low Pressure Regulator with Gauge and Safety Relief Valve Type 628

Part 1
REGULATORS FOR
DOMESTIC USE



SINGLE STAGE LOW PRESSURE



PRODUCT DESCRIPTION

The Type 628 is a non-adjustable single-stage low-pressure regulator for domestic application, with a threaded inlet connection for direct connection to a cylinder valve.

The Type 628 is constructed to control the prevailing cylinder pressure reducing it directly down to the service pressure.

The Type 628 can be used for outdoor installations only, as shown in diagram D-02 (page C01).

SAFETY DEVICES

Gauge

The main feature of this regulator is the manometer allowing to test the leak-tightness of the complete installation once the appliance and the cylinder taps are closed.

Safety Relief Valve - (SRV) Protection

The Type 628 regulator incorporates a pressure relief valve, a safety device designed to prevent the flow of gas at a pressure greater than the maximum allowable pressure of the gas burning appliance. This device operates discharging the excess pressure existing in the installation to the outside.

HOMOLOGATIONS*

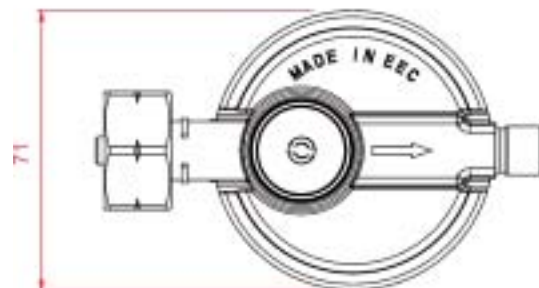
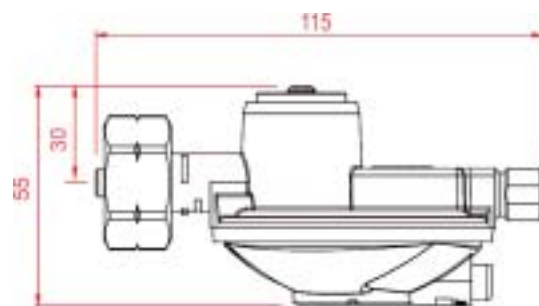
- Homol. DVGW (German)

INSTALLATIONS



Pag. C01

DIMENSIONS



MATERIALS

- Body : Die Cast Zinc/Painted
- Spring: : Steel
- Diaphragms : Approved NBR

TECHNICAL FEATURES*

GAS	OUTLET PRESSURE (Depending on the gas)	CAPACITY (Depending on the gas)	WORKING TEMPERATURE	INLET CONNECTIONS (pag. D01)	OUTLET CONNECTIONS (pag. D07)
Butane/Propane	30 - 50 mbar	1,5 Kg/h	-20 ÷ +50 °C	TABLE A: A05 - A07 - A08 - A10	TABLE H: H02

* Note: The table shows all the variants of the configurations/technical features available for this type of regulator.

Homologation in compliance with a standard / country will relate to a specific combination of connections, technical features and performance criteria.

Single Stage Low Pressure Regulator Type 754B1

Part 1
REGULATORS FOR
DOMESTIC USE



SINGLE STAGE LOW PRESSURE



PRODUCT DESCRIPTION

The Type 754B1 is a non-adjustable single-stage low-pressure regulator for domestic application, with a threaded inlet connection for direct connection to a cylinder valve.

The Type 754B1 is a regulator constructed to control the prevailing cylinder pressure reducing it directly down to the service pressure. This regulator can be used for indoor installations, as shown in diagram D-01, D-07, D-17 and for outdoor installations, as shown in diagrams D-01, D-08, D-18. (pages C01, C04 and C09)

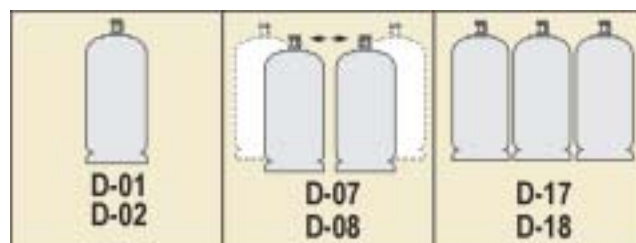
HOMOLOGATIONS*

- Homol. NF (France)

MATERIALS

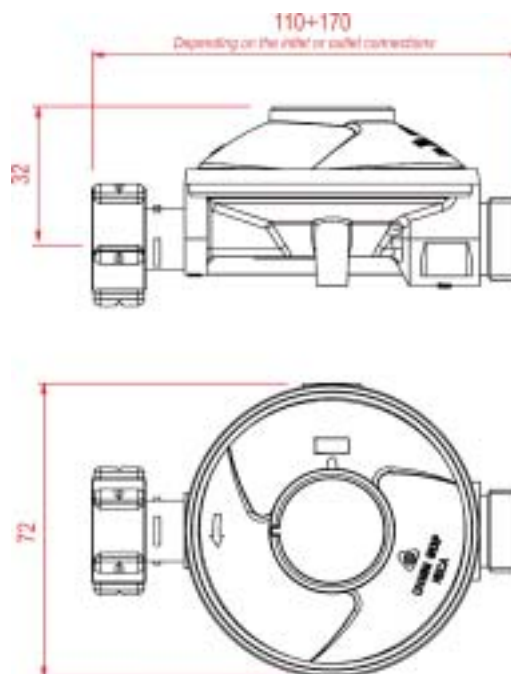
- Body : Die Cast Zinc/Painted
- Spring: : Steel
- Diaphragms : Approved NBR

INSTALLATIONS



Pag. C01 - C04 - C09

DIMENSIONS



TECHNICAL FEATURES*

GAS	OUTLET PRESSURE (Depending on the gas)	CAPACITY (Depending on the gas)	WORKING TEMPERATURE	INLET CONNECTIONS (pag. D01-D02-D04)	OUTLET CONNECTIONS (pag. D05-D06-D07)
Butane Propane Butane/Propane	28 - 30 - 37 - 50 mbar	4 Kg/h	-20 ÷ +50 °C	TABLE A: A01 - A02 - A03 - A04 - A05 A06 - A07 - A08 - A11 - A17 A20 - A24 - A25 - A29	TABLE F: F04
				TABLE D: D02	TABLE G: G04
					TABLE H: H02 - H07

* Note: The table shows all the variants of the configurations/technical features available for this type of regulator. Homologation in compliance with a standard / country will relate to a specific combination of connections, technical features and performance criteria.

Single Stage Low Pressure Regulator with Safety Relief Valve Type 758B1

Part 1
REGULATORS FOR
DOMESTIC USE



SINGLE STAGE LOW PRESSURE



PRODUCT DESCRIPTION

The Type 758B1 is a single-stage low-pressure regulator for domestic application, with a threaded inlet connection for direct connection to a cylinder valve.

The Type 758B1 is a regulator constructed to control the prevailing cylinder pressure reducing it directly down to the service pressure.

This regulator can be used outdoors only, as shown in diagram D-02, D-08 and D-18 (pages C01, C04 and C09).

SAFETY DEVICES

Safety Relief Valve - (SRV) Protection

The Type 758B1 regulator incorporates a pressure relief valve, a safety device designed to prevent the flow of gas at a pressure greater than the maximum allowable pressure of the gas burning appliance. This device operates discharging the excess pressure existing in the installation to the outside.

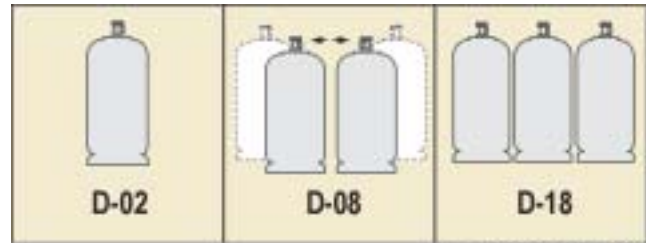
HOMOLOGATIONS*

- Homol. AGA (Australian)

MATERIALS

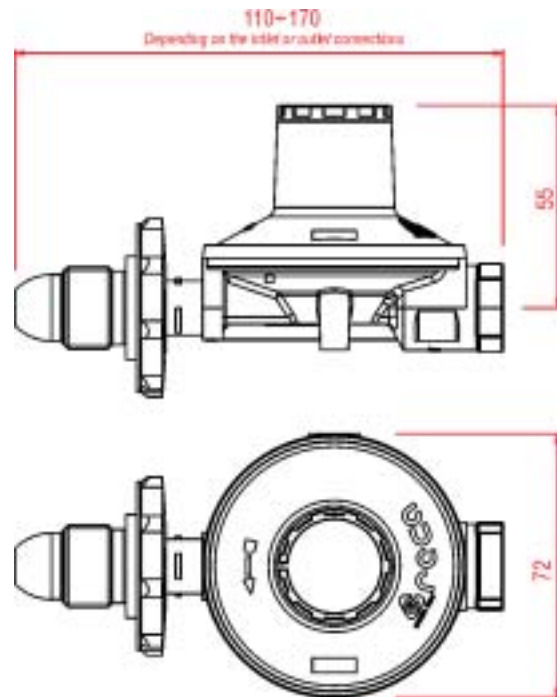
- Body : Die Cast Zinc/Painted
- Spring: : Steel
- Diaphragms : Approved NBR

INSTALLATIONS



Pag. C01 - C04 - C09

DIMENSIONS



TECHNICAL FEATURES*

GAS	OUTLET PRESSURE (Depending on the gas)	CAPACITY (Depending on the gas)	WORKING TEMPERATURE	INLET CONNECTIONS (pag. D02-D04)	OUTLET CONNECTIONS (pag. D06-D07)
Butane/Propane	28 - 30 mbar	4 Kg/h	-20 ÷ +50 °C	TABLE A: A17 - A24 - A25 - A29	TABLE G: G03 - G04
				TABLE D: D02	TABLE H: H02 - H07

* Note: The table shows all the variants of the configurations/technical features available for this type of regulator.

Homologation in compliance with a standard / country will relate to a specific combination of connections, technical features and performance criteria.

Single Stage Low Pressure Regulator Type 734B1

Part 1
REGULATORS FOR
DOMESTIC USE



**SINGLE STAGE
LOW PRESSURE**



PRODUCT DESCRIPTION

The Type 734B1 is a non-adjustable single-stage low-pressure regulator for domestic application, with a threaded inlet connection for direct connection to a cylinder valve.

The Type 734B1 is a regulator constructed to control the prevailing cylinder pressure reducing it directly down to the service pressure.

The Type 734B1 has a maximum flow capacity of 4 kg/h and is designed for applications where a large gas reserve is required.

This regulator can be used for indoor installations, as shown in diagram D-17 (page C09) and for outdoor installations, as shown in diagrams D-02, D-08 and D18. (pages C01, C04 and C09)

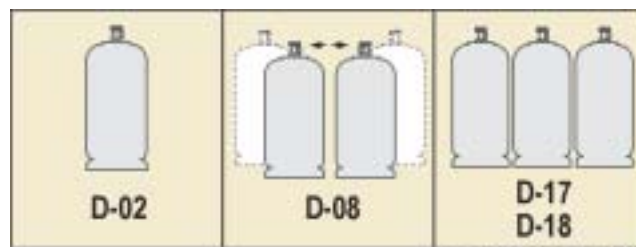
HOMOLOGATIONS*

- Homol. NF (France)
- Compliance with BS 3016 (U.K.)
- Compliance with EN 12864 (EEC)

MATERIALS

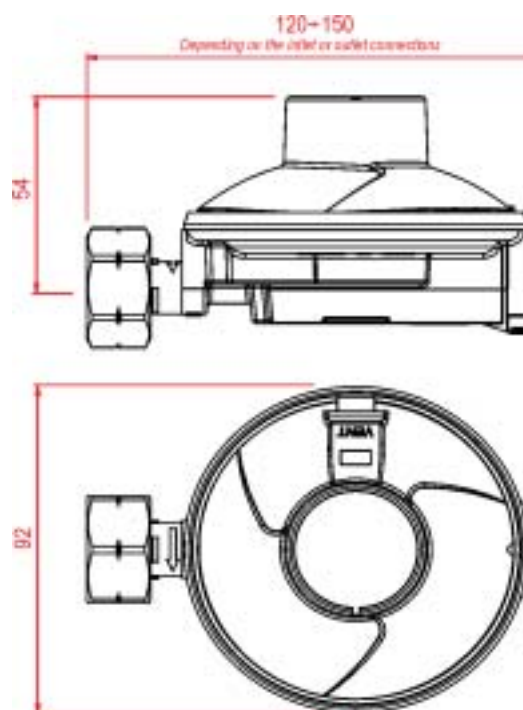
- Body : Die Cast Zinc/Painted
- Spring: : Steel
- Diaphragms : Approved NBR

INSTALLATIONS



Pag. C01 - C04 - C09

DIMENSIONS



TECHNICAL FEATURES*

GAS	OUTLET PRESSURE (Depending on the gas)	CAPACITY (Depending on the gas)	WORKING TEMPERATURE	INLET CONNECTIONS (pag. D01-D02-D04)	OUTLET CONNECTIONS (pag. D06-D07)
Butane Propane Butane/Propane	28 - 30 - 37 - 50 mbar	2,6 - 4 - 6 Kg/h	-20 ÷ +50 °C	TABLE A: A01 - A02 - A04 - A08 A11 - A20 - A24	TABLE G: G04
				TABLE D: D02	TABLE H: H04 - H07

* Note: The table shows all the variants of the configurations/technical features available for this type of regulator.
Homologation in compliance with a standard / country will relate to a specific combination of connections, technical features and performance criteria.

Single Stage Low Pressure Regulator with Safety Relief Valve Type 738B1

Part 1
REGULATORS FOR
DOMESTIC USE



SINGLE STAGE LOW PRESSURE



PRODUCT DESCRIPTION

The Type 738B1 is a non-adjustable single-stage low-pressure regulator for domestic application, with a threaded inlet connection for direct connection to a cylinder valve.

The Type 738B1 is a regulator constructed to control the prevailing cylinder pressure reducing it directly down to the service pressure.

The Type 738B1 has a maximum flow capacity of 4 kg/h and is designed for applications where a large gas reserve is required.

This regulator is for outdoors use only, and is used in installations with large cylinders, as shown in diagram D-02 (page C01) or in multi-cylinder installations through manifolds or mini-systems as shown in diagram D-18 (page C09).

SAFETY DEVICES

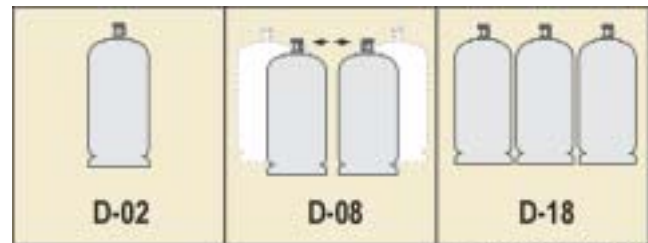
Safety Relief Valve - (SRV) Protection

The Type 738B1 regulator incorporates a pressure relief valve, a safety device designed to prevent the flow of gas at a pressure greater than the maximum allowable pressure of the gas burning appliance. This device operates discharging the excess pressure existing in the installation to the outside.

MATERIALS

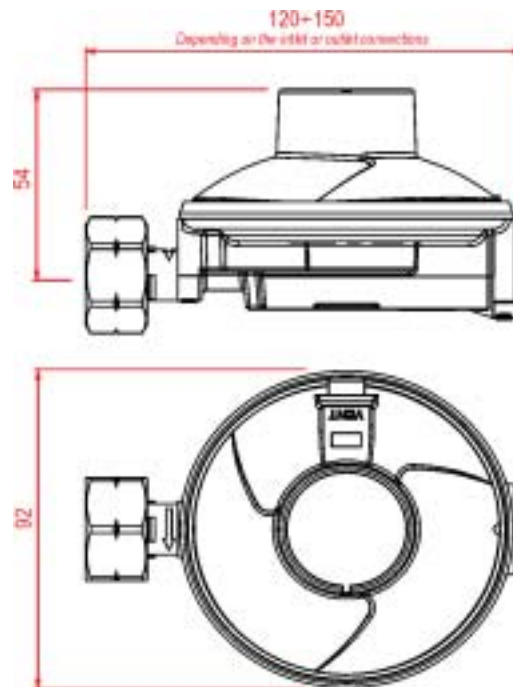
- Body : Die Cast Zinc/Painted
- Spring: : Steel
- Diaphragms : Approved NBR

INSTALLATIONS



Pag. C01 - C04 - C09

DIMENSIONS



TECHNICAL FEATURES*

GAS	OUTLET PRESSURE (Depending on the gas)	CAPACITY (Depending on the gas)	WORKING TEMPERATURE	INLET CONNECTIONS (pag. D01-D02-D04)	OUTLET CONNECTIONS (pag. D06-D07)
Butane Propane Butane/Propane	28 - 30 - 37 - 50 mbar	2,6 - 4 - 6 Kg/h	-20 ÷ +50 °C	TABLE A: A01 - A02 - A04 - A08 A11 - A20 - A24	TABLE G: G04
				TABLE D: D02	TABLE H: H04 - H07

* Note: The table shows all the variants of the configurations/technical features available for this type of regulator.

Homologation in compliance with a standard / country will relate to a specific combination of connections, technical features and performance criteria.

Single Stage Low Pressure Regulator Type 734B1 / 738B1 with Manual Changeover

Part 1
REGULATORS FOR
DOMESTIC USE



SINGLE STAGE
LOW PRESSURE

PRODUCT DESCRIPTION

Types 734B1 and 738B1 are non-adjustable single-stage low-pressure regulators for domestic application (pages 1/11 and 1/12), both regulators are assembled to the manual changeover for connection to cylinder valves via H.P. hose assemblies.

The regulators is equipped with a mounting bracket as standard. This configuration is for outdoors use only, as shown in diagram D-07 and D08 (page C09)

SAFETY DEVICES

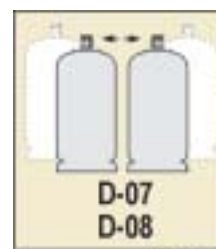
Safety Relief Valve - (SRV) Protection (738B1 only)

The Type 738B1 regulator incorporates a pressure relief valve, a safety device designed to prevent the flow of gas at a pressure greater than the maximum allowable pressure of the gas burning appliance. This device operates discharging the excess pressure existing in the installation to the outside.

MATERIALS

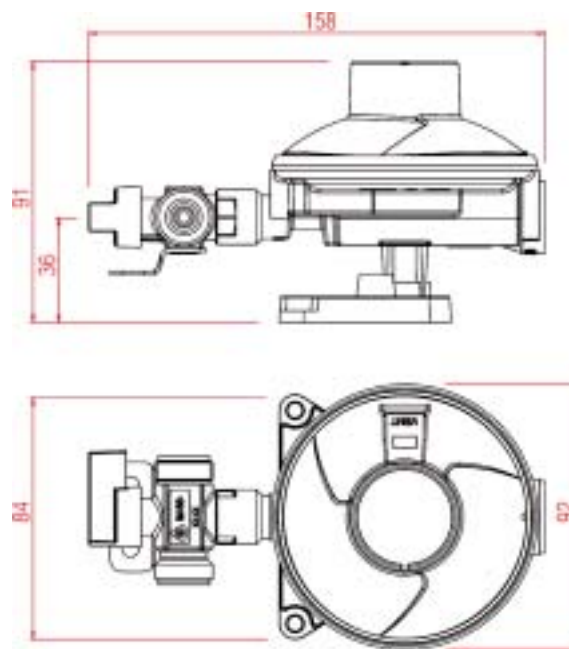
- Manual Changeover Body : Brass
- Body : Die Cast Zinc/Painted
- Spring: : Steel
- Diaphragms : Approved NBR

INSTALLATIONS



Pag. C04

DIMENSIONS



TECHNICAL FEATURES*

GAS	OUTLET PRESSURE <i>(Depending on the gas)</i>	CAPACITY <i>(Depending on the gas)</i>	WORKING TEMPERATURE	INLET CONNECTIONS <i>(pag. D04)</i>	OUTLET CONNECTIONS <i>(pag. D06)</i>
Butane Propane Butane/Propane	28 - 30 - 37 - 50 mbar	2,6 - 4 - 6 Kg/h	-20 ÷ +50 °C	TABLE D: D11 TABLE E: E04	TABLE G: G06

* Note: The table shows all the variants of the configurations/technical features available for this type of regulator. Homologation in compliance with a standard / country will relate to a specific combination of connections, technical features and performance criteria.

Single Stage Low Pressure Regulator Type 734B1 / 738B1 with Twinisolator

Part 1
REGULATORS FOR
DOMESTIC USE



**SINGLE STAGE
LOW PRESSURE**

PRODUCT DESCRIPTION

Types 734B1 and 738B1 are non-adjustable single-stage low-pressure regulators for domestic application (pages 1/11 and 1/12), both regulators are assembled to the Twinisolator for connection to cylinder valves via H.P. hose assemblies.

The regulator is equipped with a mounting bracket as standard. This configuration is for outdoors use only, as shown in diagram D-18 (page C09)

SAFETY DEVICES

Safety Relief Valve - (SRV) Protection (738B1 only)

The Type 738B1 regulator incorporates a pressure relief valve, a safety device designed to prevent the flow of gas at a pressure greater than the maximum allowable pressure of the gas burning appliance. This device operates discharging the excess pressure existing in the installation to the outside.

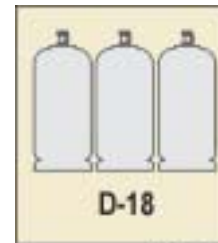
ACCESSORIES

On Request the twinisolator can be equipped with a gauge for checking the leak-tightness of the complete installation.

MATERIALS

- Twinisolator Body : Brass
- Body : Die Cast Zinc/Painted
- Spring: : Steel
- Diaphragms : Approved NBR

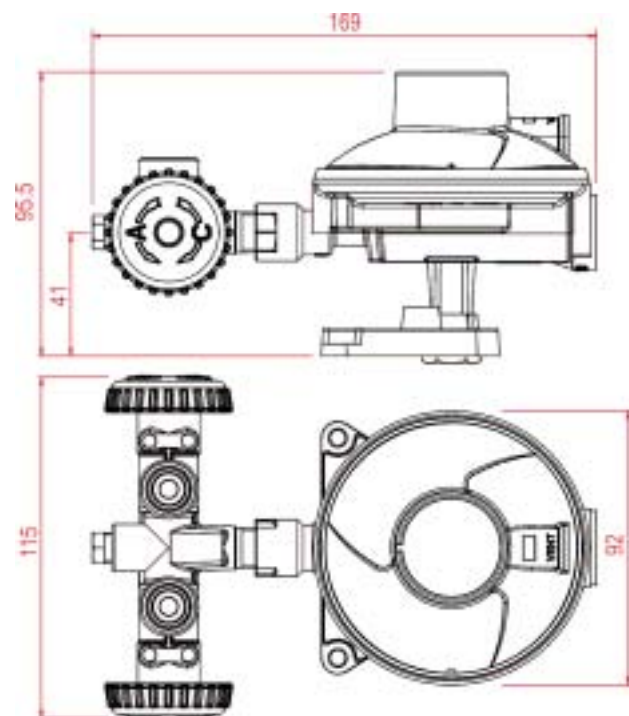
INSTALLATIONS



D-18

Pag. C09

DIMENSIONS



TECHNICAL FEATURES*

GAS	OUTLET PRESSURE (Depending on the gas)	CAPACITY (Depending on the gas)	WORKING TEMPERATURE	INLET CONNECTIONS (pag. D04)	OUTLET CONNECTIONS (pag. D06)
Butane/Propane	28 - 30 - 37 - 50 mbar	2,6 - 4 - 6 Kg/h	-20 ÷ +50 °C	TABLE E: E05	TABLE G: G06

* Note: The table shows all the variants of the configurations/technical features available for this type of regulator.

Homologation in compliance with a standard / country will relate to a specific combination of connections, technical features and performance criteria.

Single Stage Low Pressure Regulator with OPSO and Safety Relief Valve Type 521

Part 1
REGULATORS FOR
DOMESTIC USE



SINGLE STAGE LOW PRESSURE



PRODUCT DESCRIPTION

The Type 521 is a single-stage low-pressure regulator having a threaded inlet connection for direct connection to a cylinder valve, that is used in manifolds or in mini cylinder-systems.

The Type 521 is constructed to control the prevailing cylinder pressure reducing it directly down to the service pressure.

The Type 521 can be used for outdoor installations only, as shown in diagrams D-08 and D-17, (pages C04-C09).

This regulator is commonly used on the German market.

SAFETY DEVICES

Safety Relief Valve - (SRV) Protection

The Type 521 regulator incorporates a "pressure relief valve", a safety device designed to prevent the flow of gas at a pressure greater than the maximum allowable pressure of the gas burning appliance. This device operates discharging the excess pressure existing in the installation to the outside.

Over-Pressure Shut Off (OPSO) Protection

In the event of the overpressure becoming more substantial, then a second protection device, called "OPSO", operates shutting off the flow of gas at the regulator inlet.

After actuation of the OPSO device and removal of any failures, the safety device must first be reset by hand to restore the correct operation of the regulator.

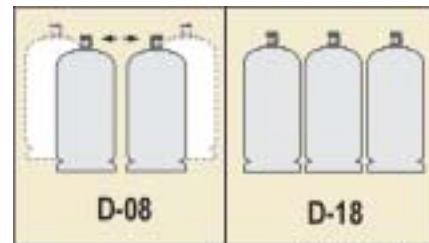
ACCESSORIES

On request, it is possible to supply a mounting bracket for the correct position on every surface of the regulators Type 521.

HOMOLOGATIONS*

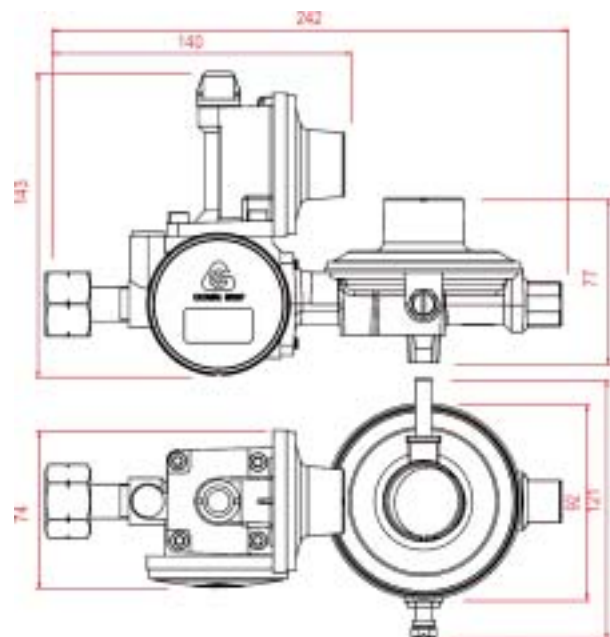
- Homol. DVGW (German)

INSTALLATIONS



Pag. C04-C09

DIMENSIONS



MATERIALS

- Body : Die Cast Zinc/Painted
- Spring: : Steel
- Diaphragms : Approved NBR

TECHNICAL FEATURES*

GAS	OUTLET PRESSURE (Depending on the gas)	CAPACITY (Depending on the gas)	WORKING TEMPERATURE	INLET CONNECTIONS (pag. D01)	OUTLET CONNECTIONS (pag. D07)
Butane/Propane	30 - 50 mbar	4 Kg/h	-20 ÷ +50 °C	TABLE A: A09	TABLE H: H05

* Note: The table shows all the variants of the configurations/technical features available for this type of regulator.
Homologation in compliance with a standard / country will relate to a specific combination of connections, technical features and performance criteria.

Double Stage Low Pressure Regulator JUMBO KOSAN Type 584

Part 1
REGULATORS FOR
DOMESTIC USE



**DOUBLE STAGE
LOW PRESSURE**



PRODUCT DESCRIPTION

The Type 584 is a double-stage low-pressure regulator, with inlet connection for automatic valves 35 mm in diameter.

The Type 584 is a double-stage regulator constructed to control the prevailing cylinder pressure, through two stages, directly to the working pressure. Connection to the gas cylinder occurs by placing the regulator onto the automatic valve and raising the latching ring, then pressure should be exerted downwards to achieve a tight fit with the automatic valve. Gas opening and closing is possible by rotating the handle fitted on top of this regulator.

The Type 584 is designed for use in indoor installations as shown in diagram D03 or in outdoor installations as shown in diagram D04 (page C02).

SAFETY DEVICES

Excess-flow

On request, it is possible to have a safety device, the so-called "excess-flow valve", incorporated, which operates by limiting the gas passageway when the quantity of gas required by the appliance is greater than the regulator delivery capacity or whenever the appliance connecting hose gets accidentally disconnected or cut. Once the connection is reset and the anomaly is removed, the safety device shall reset automatically.

HOMOLOGATIONS*

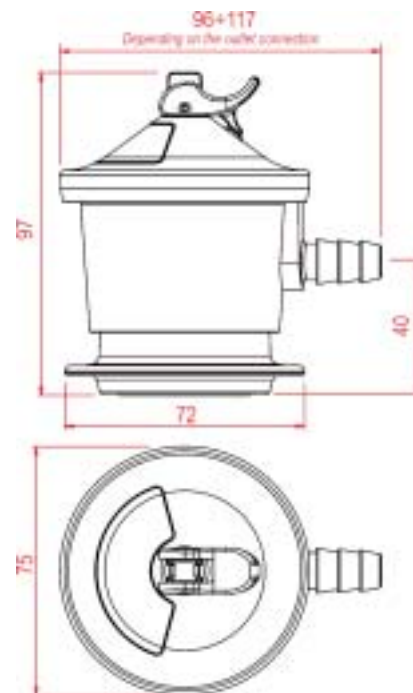
- Compliance with EN 12864 (EEC)

INSTALLATIONS



Pag. C02

DIMENSIONS



MATERIALS

- Body : Die Cast Zinc/Painted
- Spring : Steel
- Diaphragms : Approved NBR

TECHNICAL FEATURES*

GAS	OUTLET PRESSURE (Depending on the gas)	CAPACITY (Depending on the gas)	WORKING TEMPERATURE	INLET CONNECTIONS (pag. D03)	OUTLET CONNECTIONS (pag. D05-D07)
Butane/Propane	30 mbar	2 Kg/h	-20 ÷ +50 °C	TABLE B: B08	TABLE F: F04 - F05 - F06 - F07
					TABLE H: H04

* Note: The table shows all the variants of the configurations/technical features available for this type of regulator.

Homologation in compliance with a standard / country will relate to a specific combination of connections, technical features and performance criteria.

Double Stage Low Pressure Regulator with Safety Relief Valve JUMBO KOSAN Type 588

Part 1
REGULATORS FOR
DOMESTIC USE



**DOUBLE STAGE
LOW PRESSURE**



PRODUCT DESCRIPTION

The Type 588 is a double-stage low-pressure regulator, with inlet connection for automatic valves 35 mm in diameter.

The Type 588 is a double-stage regulator constructed to control the prevailing cylinder pressure, through two stages, directly to the working pressure. Connection to the gas cylinder occurs by placing the regulator onto the automatic valve and raising the latching ring, then pressure should be exerted downwards to achieve a tight fit with the automatic valve.

Gas opening and closing is possible by rotating the handle fitted on top of this regulator. The Type 588 can be used for outdoor installations only, as shown in diagram D04 (page C02).

SAFETY DEVICES

Excess-flow

On request, it is possible to have a safety device, the so-called "excess-flow valve", incorporated, which operates by limiting the gas passageway when the quantity of gas required by the appliance is greater than the regulator delivery capacity or whenever the appliance connecting hose gets accidentally disconnected or cut. Once the connection is reset and the anomaly is removed, the safety device shall reset automatically.

Safety Relief Valve - (SRV) Protection

The Type 588 regulator incorporates a pressure relief valve, a safety device designed to prevent the flow of gas at a pressure greater than the maximum allowable pressure of the gas burning appliance. This device operates discharging the excess pressure existing in the installation to the outside.

HOMOLOGATIONS*

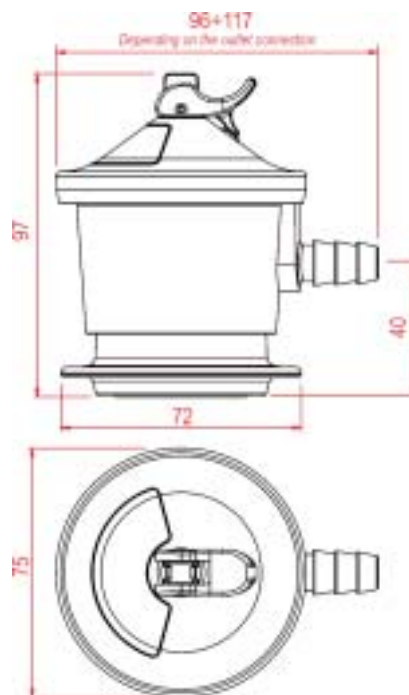
- Compliance with EN 12864 (EEC)

INSTALLATIONS



Pag. C02

DIMENSIONS



MATERIALS

- Body : Die Cast Zinc/Painted
- Spring: : Steel
- Diaphragms : Approved NBR

TECHNICAL FEATURES*

GAS	OUTLET PRESSURE <i>(Depending on the gas)</i>	CAPACITY <i>(Depending on the gas)</i>	WORKING TEMPERATURE	INLET CONNECTIONS <i>(pag. D03)</i>	OUTLET CONNECTIONS <i>(pag. D05-D07)</i>
Butane/Propane	30 mbar	2 Kg/h	-20 ÷ +50 °C	TABLE B: B08	TABLE F: F04 - F05 - F06 - F07
					TABLE H: H04

* Note: The table shows all the variants of the configurations/technical features available for this type of regulator. Homologation in compliance with a standard / country will relate to a specific combination of connections, technical features and performance criteria.

Double Stage Low Pressure Regulator Type 594 - KOSANOVA

Part 1
REGULATORS FOR
DOMESTIC USE



**DOUBLE STAGE
LOW PRESSURE**



PRODUCT DESCRIPTION

The Type 594 is a double-stage low-pressure regulator, with inlet connection for automatic valves 16 or 19 mm in diameter.

The Type 594 is a double-stage regulator constructed to control the prevailing cylinder pressure, through two stages, directly to the working pressure. Connection to the gas cylinder occurs by placing the regulator onto the automatic valve and raising the latching ring, then pressure should be exerted downwards to achieve a tight fit with the automatic valve.

Gas opening and closing is possible by rotating the handle fitted on top of this regulator. The Type 594 is designed for use in indoor installations as shown in diagram D03 or in outdoor installations as shown in diagram D04 (page C02).

SAFETY DEVICES

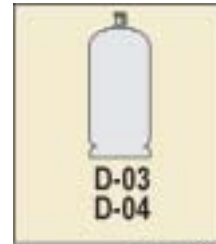
Excess-flow

On request, it is possible to have a safety device, the so-called "excess-flow valve", incorporated, which operates by limiting the gas passageway when the quantity of gas required by the appliance is greater than the regulator delivery capacity or whenever the appliance connecting hose gets accidentally disconnected or cut. Once the connection is reset and the anomaly is removed, the safety device shall reset automatically.

HOMOLOGATIONS*

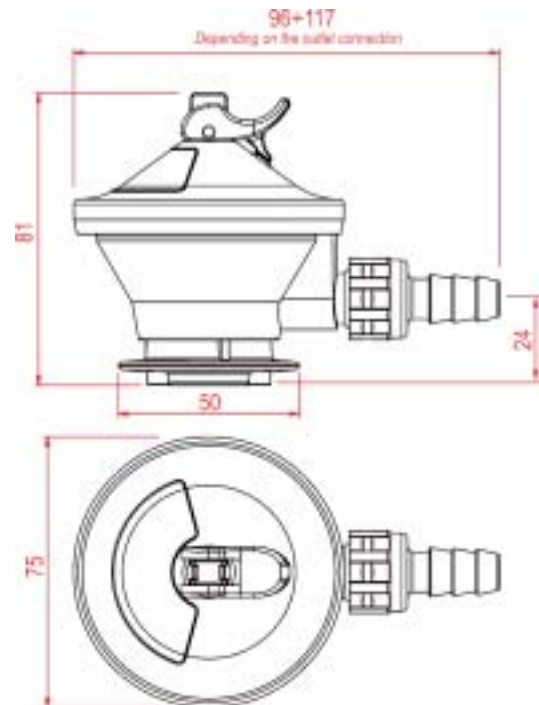
- Compliance with EN 12864 (EEC)

INSTALLATIONS



Pag. C02

DIMENSIONS



MATERIALS

- Body : Die Cast Zinc/Painted
- Spring: : Steel
- Diaphragms : Approved NBR

TECHNICAL FEATURES*

GAS	OUTLET PRESSURE (Depending on the gas)	CAPACITY (Depending on the gas)	WORKING TEMPERATURE	INLET CONNECTIONS (pag. D03)	OUTLET CONNECTIONS (pag. D05-D07)
Butane/Propane	30 mbar	2 Kg/h	-20 ÷ +50 °C	TABLE B : B06 - B07	TABLE F : F04 - F05 - F06 - F07

* Note: The table shows all the variants of the configurations/technical features available for this type of regulator.

Homologation in compliance with a standard / country will relate to a specific combination of connections, technical features and performance criteria.

Double Stage Low Pressure Regulator with Safety Relief Valve Type 598 - KOSANOVA

Part 1
REGULATORS FOR
DOMESTIC USE



DOUBLE STAGE LOW PRESSURE



PRODUCT DESCRIPTION

The Type 598 is a double-stage low-pressure regulator, with inlet connection for automatic valves 35 mm in diameter.

The Type 598 is a double-stage regulator constructed to control the prevailing cylinder pressure, through two stages, directly to the working pressure. Connection to the gas cylinder occurs by placing the regulator onto the automatic valve and raising the latching ring, then pressure should be exerted downwards to achieve a tight fit with the automatic valve. Gas opening and closing is possible by rotating the handle fitted on top of this regulator. The Type 598 is designed for use in indoor installations as shown in diagram D03 or in outdoor installations as shown in diagram D04 (page C02).

SAFETY DEVICES

Excess-flow

On request, it is possible to have a safety device, the so-called "excess-flow valve", incorporated, which operates by limiting the gas passageway when the quantity of gas required by the appliance is greater than the regulator delivery capacity or whenever the appliance connecting hose gets accidentally disconnected or cut. Once the connection is reset and the anomaly is removed, the safety device shall reset automatically.

Safety Relief Valve - (SRV) Protection

The Type 598 regulator incorporates a pressure relief valve, a safety device designed to prevent the flow of gas at a pressure greater than the maximum allowable pressure of the gas burning appliance. This device operates discharging the excess pressure existing in the installation to the outside.

HOMOLOGATIONS*

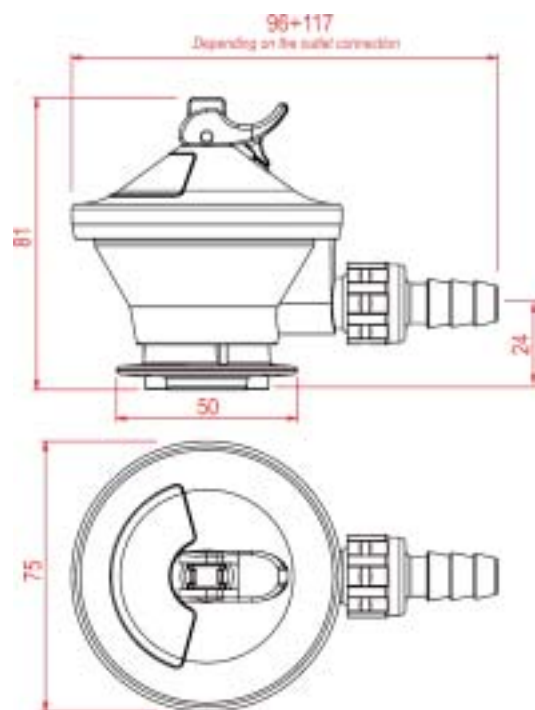
- Compliance with EN 12864 (EEC)

INSTALLATIONS



Pag. C02

DIMENSIONS



MATERIALS

- Body : Die Cast Zinc/Painted
- Spring: : Steel
- Diaphragms : Approved NBR

TECHNICAL FEATURES*

GAS	OUTLET PRESSURE <i>(Depending on the gas)</i>	CAPACITY <i>(Depending on the gas)</i>	WORKING TEMPERATURE	INLET CONNECTIONS <i>(pag. D03)</i>	OUTLET CONNECTIONS <i>(pag. D05-D06)</i>
Butane/Propane	30 mbar	2 Kg/h	-20 ÷ +50 °C	TABLE C: C02 - C03	TABLE G: G04 - G05 - G06 -G07

* Note: The table shows all the variants of the configurations/technical features available for this type of regulator. Homologation in compliance with a standard / country will relate to a specific combination of connections, technical features and performance criteria.

Double Stage Low Pressure Regulator with Gauge Type 424

Part 1
REGULATORS FOR
DOMESTIC USE



DOUBLE STAGE LOW PRESSURE



PRODUCT DESCRIPTION

The Type 424 is a double-stage low-pressure regulator for domestic application, with a threaded inlet connection.

The Type 424 is constructed to control the prevailing cylinder pressure, through two stages, directly to the working pressure.

The Type 424 is designed for use in indoor installations as shown in diagrams D-05, D-09 and D-19 (pages C03, C05 and C10) or in outdoor installations as shown in diagrams D-06, D-10 and D-20 (pages C03, C05 e C10).

SAFETY DEVICES

The main feature of Type 424 is the safety device given by the double stage reducing the gas pressure at the outlet, in case one of the two stages fails, at a lower value than the acceptable limit of the user appliance (<140 mbar).

Safety Relief Valve - (SRV) Protection

On request, it is possible to assemble a relief valve inside the second stage of the type 424, working in case of restricted and temporary anomalies. The relief valve, inside the regulator, reduces the maximum overpressure value inside the installation to the value of 80 mbar, consequently evacuating a changeable quantity of gas outside the installation.

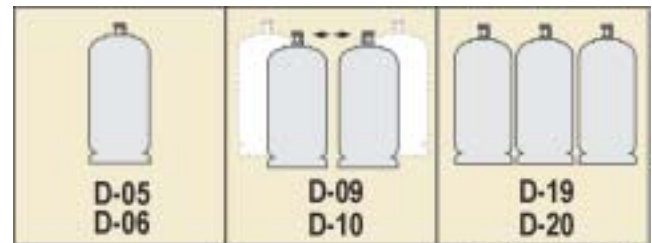
Gauge

The main feature of this regulator is the manometer allowing to test the leak-tightness of the complete installation once the appliance and the cylinder taps are closed.

HOMOLOGATIONS*

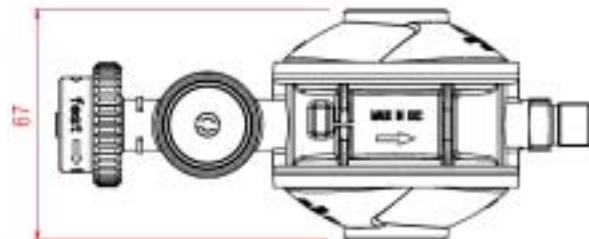
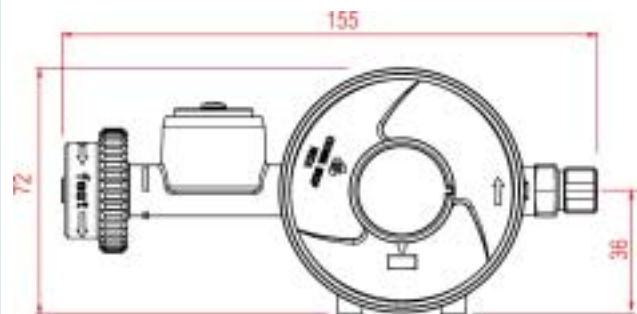
- Homol. DVGW (German) | - Compliance with EN 12864 (EEC)

INSTALLATIONS



Pag. C03 - C05 - C10

DIMENSIONS



MATERIALS

- Body : Die Cast Zinc/Painted
- Spring: : Steel
- Diaphragms : Approved NBR

TECHNICAL FEATURES*

GAS	OUTLET PRESSURE (Depending on the gas)	CAPACITY (Depending on the gas)	WORKING TEMPERATURE	INLET CONNECTIONS (pag. D01)	OUTLET CONNECTIONS (pag. D07)
Butane/Propane	30 - 50 mbar	1,5 Kg/h	-20 ÷ +50 °C	TABLE A: A05 - A08 - A07 - A10	TABLE H: H02

* Note: The table shows all the variants of the configurations/technical features available for this type of regulator. Homologation in compliance with a standard / country will relate to a specific combination of connections, technical features and performance criteria.

Double Stage Automatic Changeover Low Pressure Regulator Type 924S

Part 1
REGULATORS FOR
DOMESTIC USE



**DOUBLE STAGE
LOW PRESSURE**

PRODUCT DESCRIPTION

The double stage automatic changeover regulator, type 924S is a combination consisting of an automatic changeover working as a 1st stage coupled to a 2nd stage regulator. The automatic changeover (1st stage regulator) reduces the pressure at the outlet from the cylinder to a value of 0,7 bar max; The 2nd stage regulator reduces further the gas pressure to the utilization pressure value. The automatic changeover ensures continuous gas flow, automatically changing the gas withdrawal from the exhausted "service" cylinder to the full "reserve" one. The full-empty indicator assembled into the changeover handle indicates the exhaustion status of the "service" cylinder. The indicator colour changes from green to red, when the "service" cylinder is exhausted. The rotation of the automatic changeover handle to the full "reserve" cylinder restores the green colour on the indicator.

The 924S is equipped with a mounting bracket as standard.

The Type 924S is designed for use in indoor installations as shown in diagrams D-11 or in outdoor installations as shown in diagrams D-12 (page C06).

SAFETY DEVICES

Safety Relief Valve - (SRV) Protection

Inside the second stage of the type 914S there is present a pressure relief valve which operates in case of restricted and temporary anomalies. The relief valve, reduces the maximum overpressure value inside the installation to the value of 80 mbar, consequently evacuating a changeable quantity of gas outside the installation.

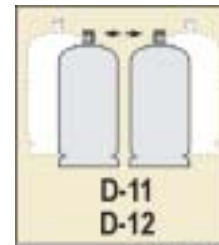
Non-return valves

The type 924S is equipped with non-return valves assembled into the inlet fittings, the device limits the amount of gas escaping from the end of the disconnected hose during cylinder replacement.

HOMOLOGATIONS*

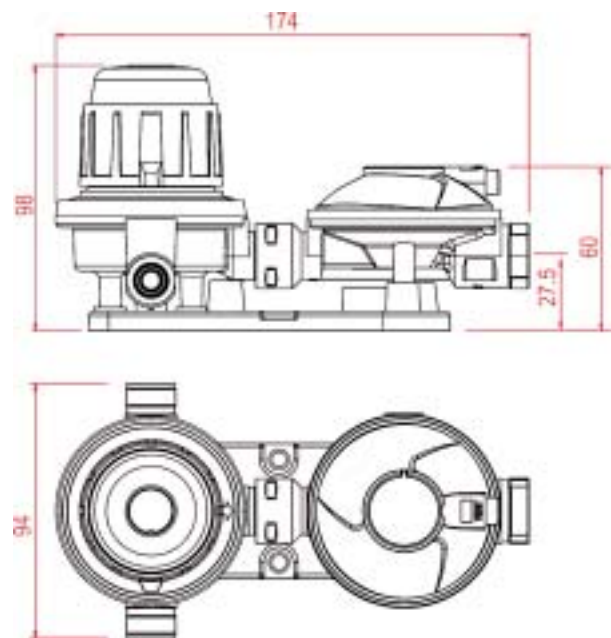
- Homol. DVGW (German)

INSTALLATIONS



Pag. C06

DIMENSIONS



MATERIALS

- Body : Die Cast Zinc/Painted
- Spring: : Steel
- Diaphragms : Approved NBR

TECHNICAL FEATURES*

GAS	OUTLET PRESSURE (Depending on the gas)	CAPACITY (Depending on the gas)	WORKING TEMPERATURE	INLET CONNECTIONS (pag. D04)	OUTLET CONNECTIONS (pag. D06-D07)
Butane Propane Butane/Propane	28 - 30 - 37 - 50 mbar	6 Kg/h	-20 ÷ +50 °C	TABLE E: E04 - E05	TABLE G: G04 TABLE H: H02 - H07

* Note: The table shows all the variants of the configurations/technical features available for this type of regulator.
Homologation in compliance with a standard / country will relate to a specific combination of connections, technical features and performance criteria.

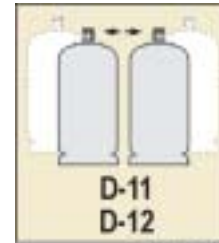
Double Stage Automatic Changeover Low Pressure Regulator Type 528A and Type 528B

Part 1
REGULATORS FOR
DOMESTIC USE



**DOUBLE STAGE
LOW PRESSURE**

INSTALLATIONS



Pag. C06

PRODUCT DESCRIPTION

The double stage automatic changeover regulator, type 528A and type 528B is a combination consisting of an automatic changeover working as a 1st stage coupled to a 2nd stage regulator. The type 528A and the 528B are suitable for domestic installations, mobile home, cottages and other portable two cylinder installations. The automatic changeover (1st stage regulator) reduces the pressure at the outlet from the cylinder to a value of 0,7 bar max; The 2nd stage regulator reduces further the gas pressure to the utilization pressure value. The automatic changeover ensures continuous gas flow, automatically changing the gas withdrawal from the exhausted "service" cylinder to the full "reserve" one. The full-empty indicator assembled into the changeover handle indicates the exhaustion status of the "service" cylinder. The indicator colour changes from green to red, when the "service" cylinder is exhausted. The rotation of the automatic changeover handle to the full "reserve" cylinder restores the green colour on the indicator. See the diagrams D-11 and D12 (pages C06) for the installation system.

SAFETY DEVICES

Protection device in case of overpressure

The overpressure value, in case of working problems or anomalies, is controlled by a safety device consisting of a flow limiter working together with a safety valve. This device keeps the overpressure value widely lower than the value expected by the standard without releasing, high quantities of propane gas into the atmosphere through the vent hole.

Protection device in case of an excess flow

The device "excess flow" assembled into the regulator operates (at 140% of the guaranteed flow rate) by limiting the gas flow in the event of a sudden increase in the desired flow, as in the case of hose rupture or accidental disconnection from the outlet of the regulator while in use.

Non-return valves

The type 528A and type 528B are equipped with non-return valves assembled into the inlet fittings, the device limits the amount of gas escaping from the end of the disconnected hose during cylinder replacement.

HOMOLOGATIONS*

- Homol. UL (U.S.A.)

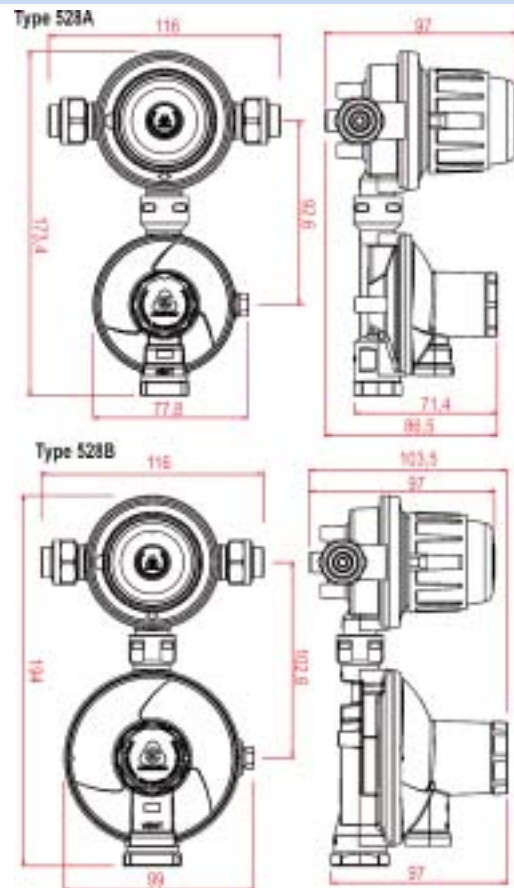
MATERIALS

- Body : Die Cast Zinc/Painted
- Spring : Steel protected
- Diaphragms : Approved NBR (Fabric reinforced)

ACCESSORIES

On request, it is possible to supply a mounting bracket for the correct position on every surface of the regulators Type 528A and Type 528B.

DIMENSIONS



TECHNICAL FEATURES*

GAS	OUTLET PRESSURE (Depending on the gas)	CAPACITY (Depending on the gas)	WORKING TEMPERATURE	INLET CONNECTIONS (pag. D04)	OUTLET CONNECTIONS (pag. D06)
Propane	29 mbar - (11" w.c.)	Type 528A 5 Kg/h - (200.000 BTU/hr) Type 528B 10 Kg/h - (400.000 BTU/hr)	-20 ÷ +50 °C	TABLE D: D11	TABLE G: G03 - G05

* Note: The table shows all the variants of the configurations/technical features available for this type of regulator.

Homologation in compliance with a standard / country will relate to a specific combination of connections, technical features and performance criteria.

Double Stage Automatic Changeover Low Pressure Regulator Type 914S

Part 1
REGULATORS FOR
DOMESTIC USE



DOUBLE STAGE LOW PRESSURE



PRODUCT DESCRIPTION

The type 914S is a double stage regulator low pressure suitable for domestic installations, mobile home, cottages and other portable two cylinder installations.

The double stage regulator, type 914S, is a combination consisting of a 1st stage high pressure regulator and of a 2nd stage low pressure regulator.

The 1st stage regulator reduces the pressure at the outlet from the cylinder to a value of 0.7 bar max; Then the 2nd stage regulator reduces further the gas pressure to the utilization pressure value.

The 914S is equipped with a mounting bracket as standard.

The Type 914S is designed for use in outdoor installations as shown in diagrams D-15 (page C08) and D-21, D-22 (page C11).

SAFETY DEVICES

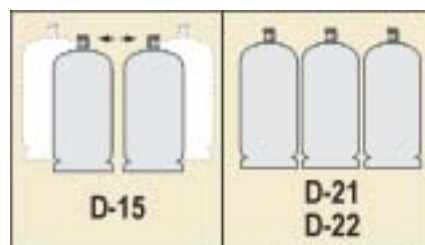
Safety Relief Valve - (SRV) Protection

Inside the second stage of the type 914S there is present a pressure relief valve which operates in case of restricted and temporary anomalies. The relief valve, reduces the maximum overpressure value inside the installation to the value of 80 mbar, consequently evacuating a changeable quantity of gas outside the installation.

MATERIALS

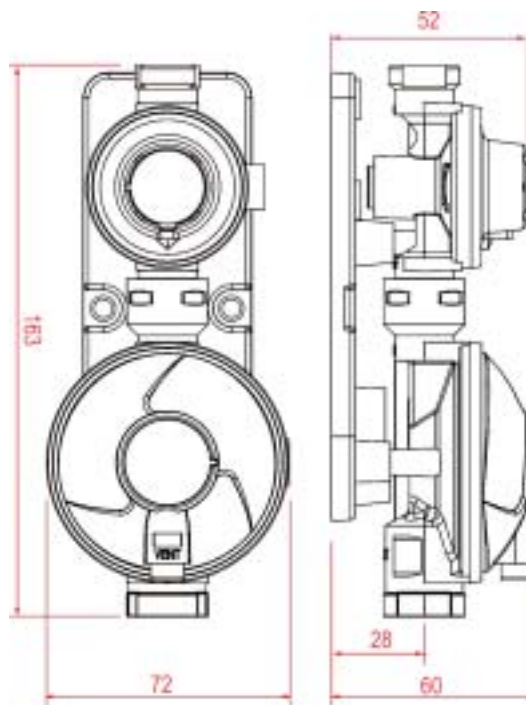
- Body : Die Cast Zinc/Painted
- Spring: : Steel
- Diaphragms : Approved NBR

INSTALLATIONS



Pag. C08 - C11

DIMENSIONS



TECHNICAL FEATURES*

GAS	OUTLET PRESSURE (Depending on the gas)	CAPACITY (Depending on the gas)	WORKING TEMPERATURE	INLET CONNECTIONS (pag. D04)	OUTLET CONNECTIONS (pag. D06)
Butane/Propane	30 - 37 - 50 mbar	6 Kg/h	-20 ÷ +50 °C	TABLE D: D02 - D04	TABLE G: G04

* Note: The table shows all the variants of the configurations/technical features available for this type of regulator. Homologation in compliance with a standard / country will relate to a specific combination of connections, technical features and performance criteria.

Double Stage Low Pressure Regulator Type 914S with Manual Changeover

Part 1
REGULATORS FOR
DOMESTIC USE



**DOUBLE STAGE
LOW PRESSURE**

PRODUCT DESCRIPTION

The type 914S is a double stage regulator low pressure suitable for domestic installations, mobile home, cottages and other portable two cylinder installations (page 1/23). The type 914S is available with a manual changeover for connection to cylinder valves via H.P. hose assemblies.

The 914S is equipped with a mounting bracket as standard. This configuration is for outdoors use only, as shown in diagrams D-15 and D16 (page C08).

SAFETY DEVICES

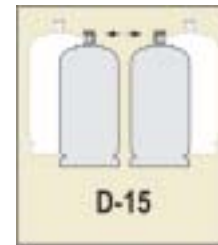
Safety Relief Valve - (SRV) Protection

Inside the second stage of the type 914S there is present a pressure relief valve which operates in case of restricted and temporary anomalies. The relief valve, reduces the maximum overpressure value inside the installation to the value of 80 mbar, consequently evacuating a changeable quantity of gas outside the installation.

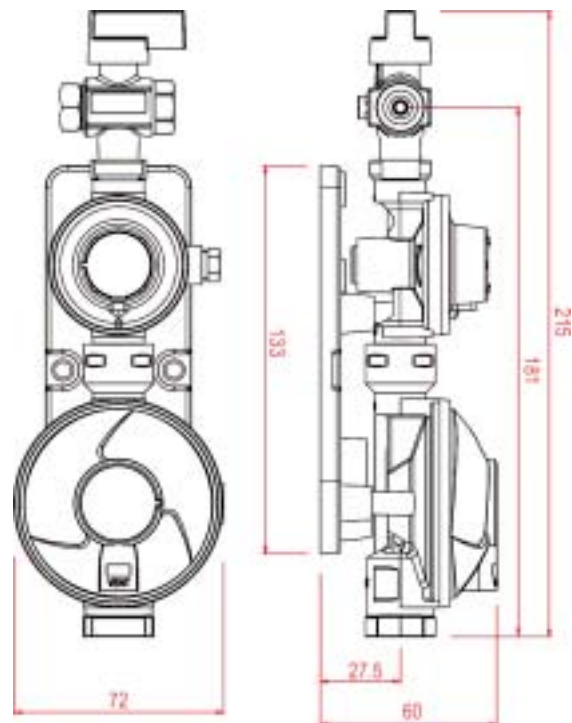
MATERIALS

- Manual Changeover Body : Brass
- Body : Die Cast Zinc/Painted
- Spring: : Steel
- Diaphragms : Approved NBR

INSTALLATIONS



DIMENSIONS



TECHNICAL FEATURES*

GAS	OUTLET PRESSURE (Depending on the gas)	CAPACITY (Depending on the gas)	WORKING TEMPERATURE	INLET CONNECTIONS (pag. D04)	OUTLET CONNECTIONS (pag. D06)
Butane/Propane	30 - 37 - 50 mbar	6 Kg/h	-20 ÷ +50 °C	TABLE D: D02 - D04	TABLE G: G04

* Note: The table shows all the variants of the configurations/technical features available for this type of regulator.

Homologation in compliance with a standard / country will relate to a specific combination of connections, technical features and performance criteria.

Double Stage Low Pressure Regulator Type 914S with Twinisolator

Part 1
REGULATORS FOR
DOMESTIC USE



**DOUBLE STAGE
LOW PRESSURE**

PRODUCT DESCRIPTION

The type 914S is a double stage regulator low pressure suitable for domestic installations, mobile home, cottages and other portable two cylinder installations. (Pag 1/23). The type 914S is available with a Twinisolator for connection to cylinder valves via H.P. hose assemblies.

The regulator is equipped with a mounting bracket as standard.

This configuration is for outdoors use only, as shown in diagram D-21 (page C11).

SAFETY DEVICES

Safety Relief Valve - (SRV) Protection

Inside the second stage of the type 914S there is present a pressure relief valve which operates in case of restricted and temporary anomalies. The relief valve, reduces the maximum overpressure value inside the installation to the value of 80 mbar, consequently evacuating a changeable quantity of gas outside the installation.

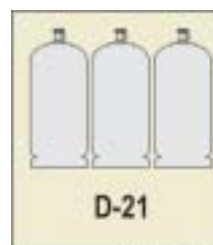
ACCESSORIES

On Request the twinisolator can be equipped with a gauge for checking the leak-tightness of the complete installation.

MATERIALS

- Twinisolator Body : Brass
- Body : Die Cast Zinc/Painted
- Spring: : Steel
- Diaphragms : Approved NBR

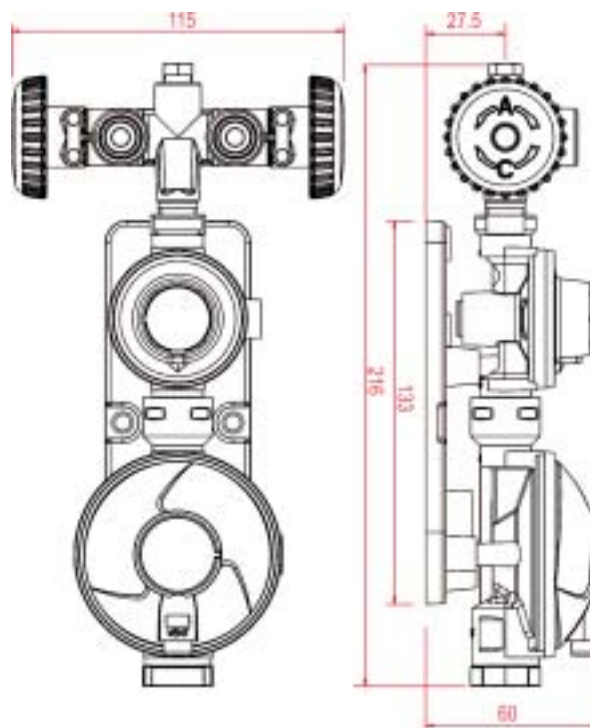
INSTALLATIONS



D-21

Pag. C11

DIMENSIONS



TECHNICAL FEATURES*

GAS	OUTLET PRESSURE (Depending on the gas)	CAPACITY (Depending on the gas)	WORKING TEMPERATURE	INLET CONNECTIONS (pag. D04)	OUTLET CONNECTIONS (pag. D06)
Butane/Propane	30 - 37 - 50 mbar	6 Kg/h	-20 ÷ +50 °C	TABLE D: D02 - D04	TABLE G: G04

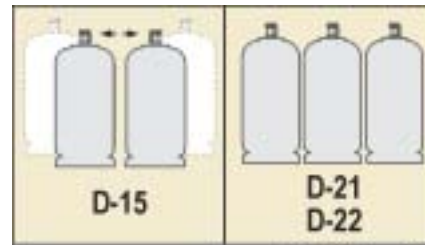
* Note: The table shows all the variants of the configurations/technical features available for this type of regulator.
Homologation in compliance with a standard / country will relate to a specific combination of connections, technical features and performance criteria.

Double Stage Low Pressure Regulator Type 524A and Type 524B

Part 1
REGULATORS FOR
DOMESTIC USE



INSTALLATIONS



Pag. C08 - C11

PRODUCT DESCRIPTION

The type 524A and type 524B are Double stage, Low Pressure regulators suitable for domestic installations, mobile home, cottages and other portable two cylinder installations.

The double stage regulator, type 524A and type 524B, is a combination consisting of a 1st stage high pressure regulator and of a 2nd stage low pressure regulator. The 1st stage regulator reduces the pressure at the outlet from the cylinder to a value of 0.7 bar max; Then the 2nd stage regulator reduces further the gas pressure to the utilization pressure value. Furthermore, it is possible to set up manually the outlet pressure from a minimum value. See the diagrams D-15, D-21 and D-22 (pages C08 - C11) for the installation system.

SAFETY DEVICES

Protection device in case of overpressure

The overpressure value, in case of working problems or anomalies, is controlled by a safety device consisting of a flow limiter working together with a safety valve.

This device keeps the overpressure value widely lower than the value expected by the standard without releasing, high quantities of propane gas into the atmosphere through the vent hole.

Protection device in case of an excess flow

The device " excess flow" assembled into the regulator operates (at 140% of the guaranteed flow rate) by limiting the gas flow in the event of a sudden increase in the desired flow, as in the case of hose rupture or accidental disconnection from the outlet of the regulator while in use.

HOMOLOGATIONS*

- Homol. UL (U.S.A.)

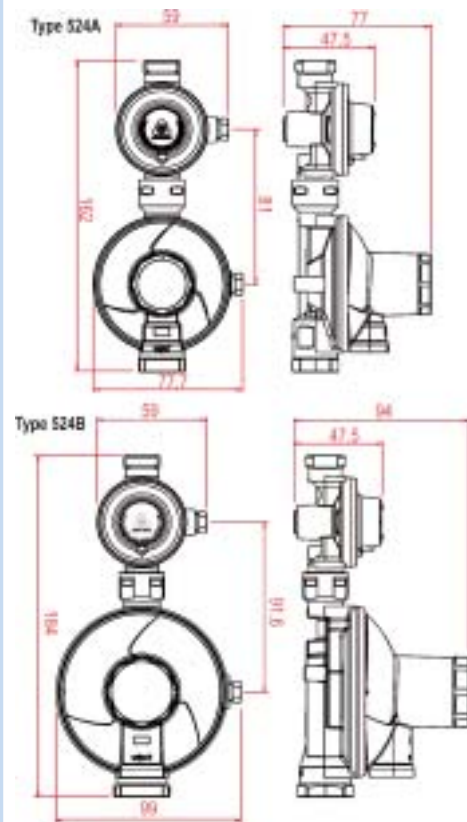
MATERIALS

- Body : Die Cast Zinc/Painted
- Spring: : Steel protected
- Diaphragms : Approved NBR (Fabric reinforced)

ACCESSORIES

On request, it is possible to supply a mounting bracket for the correct position on every surface of the regulators Type 524A and Type 524B.

DIMENSIONS



TECHNICAL FEATURES*

GAS	OUTLET PRESSURE (Depending on the gas)	CAPACITY (Depending on the gas)	WORKING TEMPERATURE	INLET CONNECTIONS (pag. D04)	OUTLET CONNECTIONS (pag. D06)
Propane	29 mbar - (11" w.c.)	Type 524A 6 Kg/h - (250.000 BTU/hr) Type 524B 11 Kg/h - (500.000 BTU/hr)	-20 ÷ +50 °C	TABLE D: D01	TABLE G: G03 - G05

* Note: The table shows all the variants of the configurations/technical features available for this type of regulator. Homologation in compliance with a standard / country will relate to a specific combination of connections, technical features and performance criteria.

Double Stage Low Pressure Regulator with UPSO and OPSO Type 522

Part 1
REGULATORS FOR
DOMESTIC USE



DOUBLE STAGE LOW PRESSURE



PRODUCT DESCRIPTION

The type 522 is a double-stage low pressure regulating unit with threaded inlet connection for direct attachment to the tank valve.

Type 522 is a pressure regulator complete with OPSO and UPSO safety devices as well as with a Safety Relief Valve incorporated in the second-stage regulator. The type 522 can be used for outdoor installations only, as shown in diagram: D-27 (page C14).

SAFETY DEVICES

Safety Relief Valve - (SRV) Protection

The Type 522 is equipped with a Safety Relief Valve incorporated in the second stage, a safety device designed to prevent supply of gas at a pressure greater than the allowable limit value of the gas appliance. This device will operate to discharge any excess pressure in the installation to the outside.

Over-Pressure Shut Off (OPSO) Protection

In case the overpressure value increases above the SRV value, then a second device, called "OPSO", will operate to positively shut off the flow of gas at the regulator inlet.

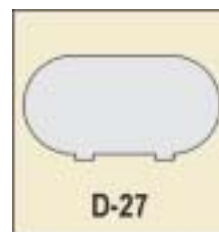
Under-Pressure Shut Off (UPSO) Protection

In addition, the Type 522 can be provided with a third safety device, called UPSO, which will operate when the regulator inlet pressure is insufficient and, therefore, the regulator is unable to guarantee a correct operating pressure. This device will operate and stop the flow of gas to the appliance whenever the pressure value is too low. After activation of these OPSO and UPSO devices and removal of any anomalies, it is necessary to reset the safety devices by hand in order to resume the regulator's correct operation.

HOMOLOGATIONS*

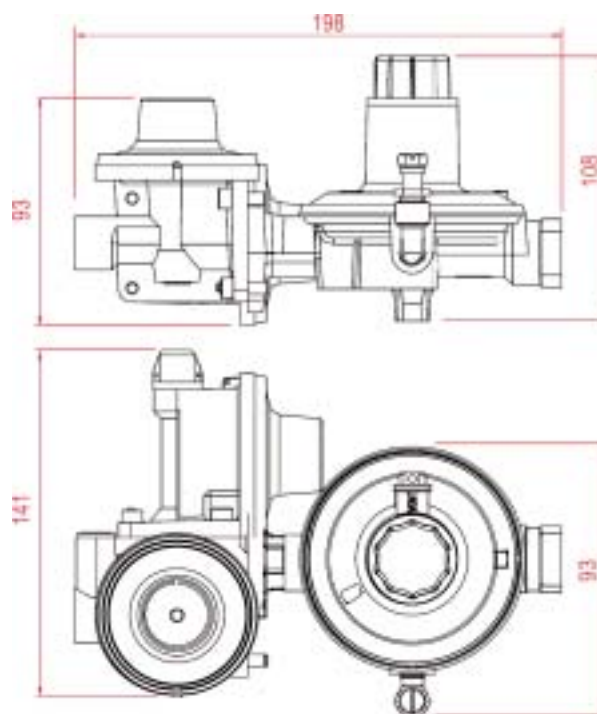
- Compliance with BS 3016 (U.K.)

INSTALLATIONS



Pag. C14

DIMENSIONS



MATERIALS

- Body	: Die Cast Zinc/Painted
- Spring:	: Steel
- Diaphragms	: Approved NBR

TECHNICAL FEATURES*

GAS	OUTLET PRESSURE <i>(Depending on the gas)</i>	CAPACITY <i>(Depending on the gas)</i>	WORKING TEMPERATURE	INLET CONNECTIONS <i>(pag. D01)</i>	OUTLET CONNECTIONS <i>(pag. D07)</i>
Butane/Propane	37 mbar	10 Kg/h	-20 ÷ +50 °C	TABLE A: A11	TABLE H: H05

* Note: The table shows all the variants of the configurations/technical features available for this type of regulator. Homologation in compliance with a standard / country will relate to a specific combination of connections, technical features and performance criteria.

Automatic Changeover First Stage High Pressure Regulator Type 924

Part 1
REGULATORS FOR
DOMESTIC USE



FIRST STAGE HIGH PRESSURE



INSTALLATIONS

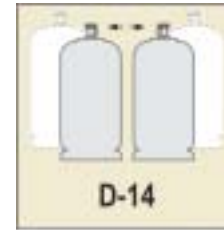


Fig. C07

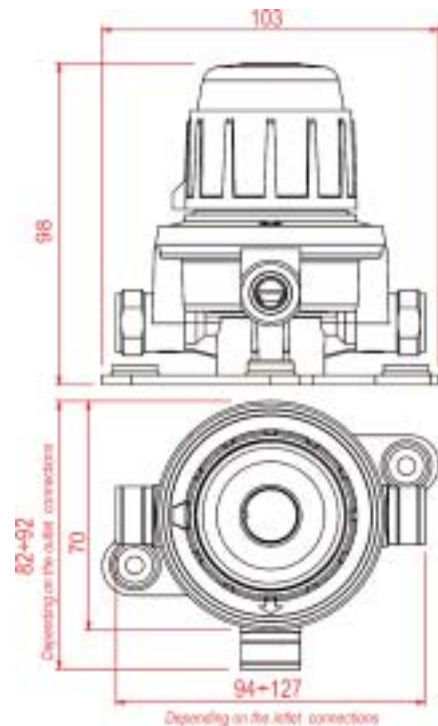
PRODUCT DESCRIPTION

The Type 924 is an automatic changeover designed to perform the function of a first-stage regulator as well. The Type 924 is used in installations having 2 gas storage groups ("service group" and "reserve group"), each consisting of one or more cylinders.

The automatic Changeover is designed to guarantee a continuous supply of gas by automatically switching to and drawing gas from the "reserve group" when the "service group" is exhausted. The Type 924 can be provided with an indicator that enables to view the automatic switching from the "service group" to the "reserve group". The indicator colour changes from green to red, when the "service" cylinder is exhausted. The rotation of the automatic changeover handle to the full "reserve" cylinder restores the green colour on the indicator.

Connection of the Type 924 changeover to the "service group" and the "reserve group" occurs by means of high pressure hoses provided with fittings for attachment to the cylinder valve. Installation of Type 924 should always be completed by a second-stage regulator which further reduces the delivery pressure from the automatic changeover down to the operating pressure of the appliance. The 924 is equipped with a mounting bracket as standard. See diagram schematic: D-14 (page C07) for installation system.

DIMENSIONS



SAFETY DEVICES

Non-return valves

The type 924 is equipped with non-return valves assembled into the inlet fittings, the device limits the amount of gas escaping from the end of the disconnected hose during cylinder replacement.

HOMOLOGATIONS*

- Homol. NF (France)

MATERIALS

- Body : Die Cast Zinc/Painted
- Spring: : Steel
- Diaphragms : Approved NBR

TECHNICAL FEATURES*

GAS	OUTLET PRESSURE <i>(Depending on the gas)</i>	CAPACITY <i>(Depending on the gas)</i>	WORKING TEMPERATURE	INLET CONNECTIONS <i>(pag. D04)</i>	OUTLET CONNECTIONS <i>(pag. D07)</i>
Butane Propane Butane/Propane	0,6 - 1 - 1,5 bar	2,6 - 8 Kg/h	-20 ÷ +50 °C	TABLE E: E04 - E05	TABLE H: H07 - H10

* Note: The table shows all the variants of the configurations/technical features available for this type of regulator. Homologation in compliance with a standard / country will relate to a specific combination of connections, technical features and performance criteria.

Automatic Changeover High Pressure Regulator with Pressure Limiting Device Type 924P

Part 1
REGULATORS FOR
DOMESTIC USE



**FIRST STAGE
HIGH PRESSURE**

PRODUCT DESCRIPTION

The Type 924P is a gas regulating assembly that consists of an automatic changeover with first-stage function and of a pressure limiting device. The automatic changeover and the pressure limiting device are connected together by means of a permanent clinching system that guarantees utmost leak tightness. The Type 924P is supplied with a mounting bracket and protection cover. Type 924P is normally used in installations in compliance with NF French Standards. See diagram schematic: D-13 (page C07) for installation system.

SAFETY DEVICES

Non-return valves

The automatic changeover is equipped with non-return valves assembled into the inlet fittings, the device limits the amount of gas escaping from the end of the disconnected hose during cylinder replacement.

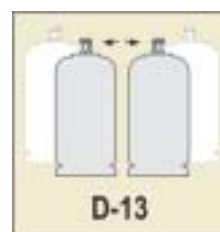
Pressure limiting device

The pressure limiting device has a rated pressure that is greater than the rated pressure of the automatic changeover, so as to prevent it from activating during normal operation. The pressure limiting device activates only when the delivery pressure from the automatic changeover increases above acceptable levels, probably due to any rupture of the first stage.

HOMOLOGATIONS*

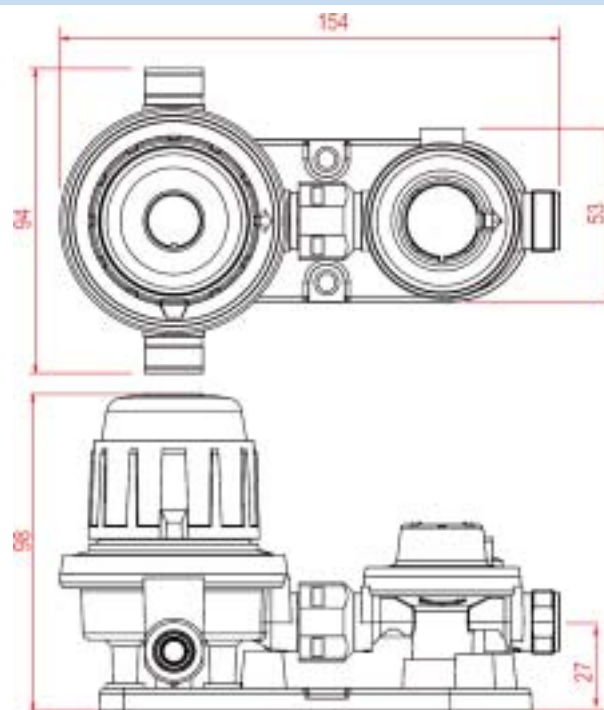
- Homol. NF (France)

INSTALLATIONS



Pag. C07

DIMENSIONS



MATERIALS

- Body : Die Cast Zinc/Painted
- Spring: : Steel
- Diaphragms : Approved NBR

TECHNICAL FEATURES*

GAS	OUTLET PRESSURE <i>(Depending on the gas)</i>	CAPACITY <i>(Depending on the gas)</i>	WORKING TEMPERATURE	INLET CONNECTIONS <i>(pag. D04)</i>	OUTLET CONNECTIONS <i>(pag. D07)</i>
Butane Propane	0,6 - 1,5 bar	2,6 - 8 Kg/h	-20 ÷ +50 °C	TABLE E: E04	TABLE H: H07

* Note: The table shows all the variants of the configurations/technical features available for this type of regulator. Homologation in compliance with a standard / country will relate to a specific combination of connections, technical features and performance criteria.

First Stage High Pressure Regulator Type 914

Part 1
REGULATORS FOR
DOMESTIC USE



FIRST STAGE HIGH PRESSURE



PRODUCT DESCRIPTION

The type 914 is a first-stage high pressure regulator with threaded inlet connection for direct attachment to the cylinder that is used in manifolds or in mini cylinder-systems.

Installation of Type 914 should always be completed by a second-stage regulator which further reduces the delivery pressure from the first-stage down to the operating pressure of the appliance. See diagram schematic: D-24 (page C12) for installation system.

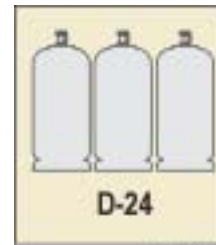
ACCESSORIES

On Request the Type 914 can be equipped with a gauge for checking the leak-tightness of the complete installation.

MATERIALS

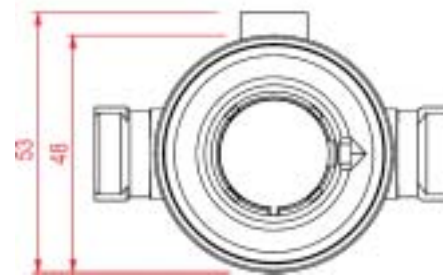
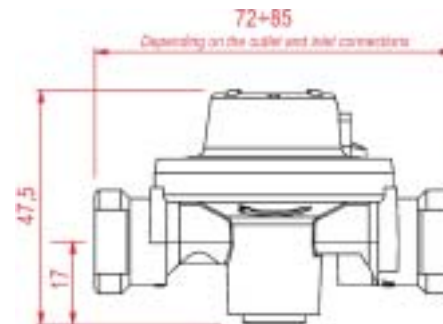
- Body : Die Cast Zinc/Painted
- Spring: : Steel
- Diaphragms : Approved NBR

INSTALLATIONS



Pag. C12

DIMENSIONS



TECHNICAL FEATURES*

GAS	OUTLET PRESSURE (Depending on the gas)	CAPACITY (Depending on the gas)	WORKING TEMPERATURE	INLET CONNECTIONS (pag. D01-D02-D04)	OUTLET CONNECTIONS (pag. D06)
Butane Propane Butane/Propane	1 - 1,5 bar	8 - 10 Kg/h	-20 ÷ +50 °C	TABLE A: A01 - A02 - A03 - A05 - A06 A08 - A20 - A24 - A31 <hr/> TABLE D D01 - D02	TABLE G: G01 - G02

* Note: The table shows all the variants of the configurations/technical features available for this type of regulator.

Homologation in compliance with a standard / country will relate to a specific combination of connections, technical features and performance criteria.

High Pressure First Stage Regulator with Pressure Limiting Device Type 914P

Part 1
REGULATORS FOR
DOMESTIC USE



FIRST STAGE
HIGH PRESSURE

PRODUCT DESCRIPTION

The Type 914P is a gas regulating assembly that consists of a first stage regulator and of a pressure limiting device.

The first stage and the pressure limiting device are connected together by means of a permanent clinching system that guarantees utmost leak tightness. Installation of Type 914P should always be completed by a second-stage regulator which further reduces the delivery pressure from the first-stage down to the operating pressure of the appliance.

The Type 914P is supplied with a mounting bracket and protection cover. Type 914P is normally used in installations in compliance with NF French Standards. See diagram schematic: D-16 and D-23 (pages C08, C12) for installation system.

SAFETY DEVICES

Pressure limiting device

The pressure limiting device has a rated pressure that is greater than the rated pressure of the first stage regulator, so as to prevent it from activating during normal operation. The pressure limiting device activates only when the delivery pressure from the first stage regulator increases above acceptable levels, probably due to any rupture of the first stage regulator.

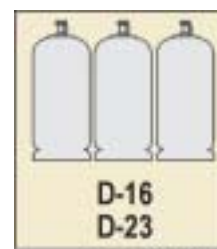
HOMOLOGATIONS*

- Homol. NF (France)

MATERIALS

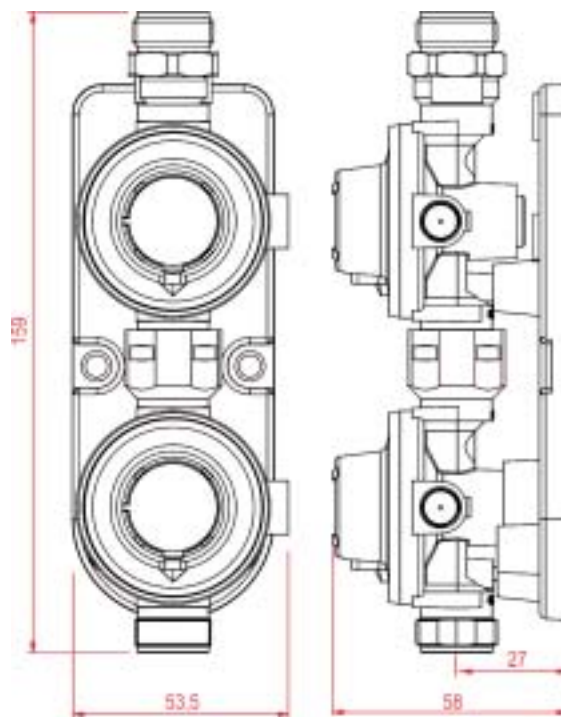
- Body : Die Cast Zinc/Painted
- Spring: : Steel
- Diaphragms : Approved NBR

INSTALLATIONS



Pag. C08-C12

DIMENSIONS



TECHNICAL FEATURES*

GAS	OUTLET PRESSURE (Depending on the gas)	CAPACITY (Depending on the gas)	WORKING TEMPERATURE	INLET CONNECTIONS (pag. D04)	OUTLET CONNECTIONS (pag. D07)
Butane Propane	0,6 - 1,5 bar	2,6 - 8 Kg/h	-20 ÷ +50 °C	TABLE E: E04	TABLE H: LH07

* Note: The table shows all the variants of the configurations/technical features available for this type of regulator.
Homologation in compliance with a standard / country will relate to a specific combination of connections, technical features and performance criteria.

Pressure Limiting Device Type 964

Part 1
REGULATORS FOR
DOMESTIC USE



PRODUCT DESCRIPTION

The pressure limiting device is a device which activates reducing the pressure when there is an abnormally high delivery pressure from the first stage, probably due to problems with the correct first stage regulation eg. ruptured diaphragm.

The device has a rated pressure that is greater than the rated pressure of the first stage, so as to prevent it from activating during normal operation.

The Type 964 can not be used as a first stage regulator but it should always be completed by a first stage before and a second-stage regulator which further reduces the delivery pressure from the first-stage down to the operating pressure.

Type 964 is normally used in installations in compliance with NF French Standards. See the Type 914P and Type 924P diagram schematic where the limiter Type 964 is included in kits. (pages C07, C08 and C12).

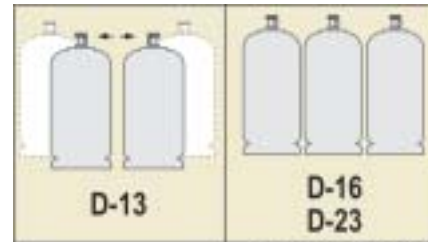
HOMOLOGATIONS*

- Homol. NF (France)

MATERIALS

- Body : Die Cast Zinc/Painted
- Spring: : Steel
- Diaphragms : Approved NBR

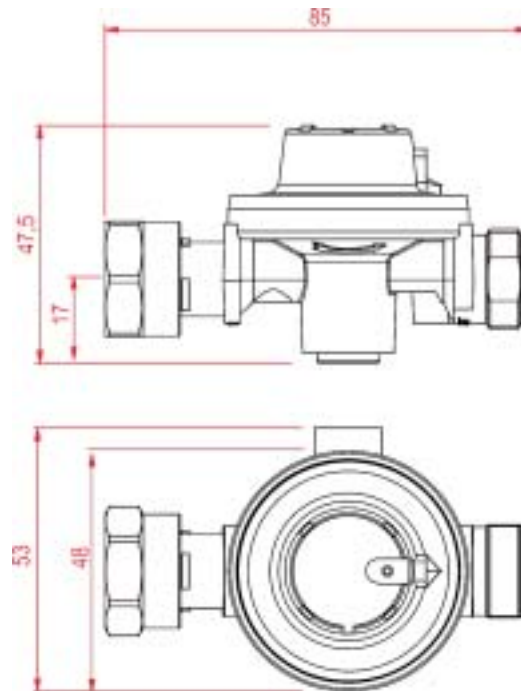
INSTALLATIONS



Pag. C07-C08-C12

Note: This Limiting device is used in configuration with regulators type 914P and 924P

DIMENSIONS



TECHNICAL FEATURES*

GAS	OUTLET PRESSURE (Depending on the gas)	CAPACITY (Depending on the gas)	WORKING TEMPERATURE	INLET CONNECTIONS (pag. D01 - D04)	OUTLET CONNECTIONS (pag. D07)
Butane Propane	1,75 bar	10 Kg/h	-20 ÷ +50 °C	TABLE A : A31	TABLE H : H07

* **Note:** The table shows all the variants of the configurations/technical features available for this type of regulator.

Homologation in compliance with a standard / country will relate to a specific combination of connections, technical features and performance criteria.

High Pressure First Stage Regulator Type 738AP

Part 1
REGULATORS FOR
DOMESTIC USE



FIRST STAGE
HIGH PRESSURE



PRODUCT DESCRIPTION

The Type 738AP is a first-stage high pressure regulator with threaded inlet connection for direct attachment to the tank. This regulator is suitable for double stage pressure regulated domestic installations. The type 738AP used as a first stage regulator reduces the pressure at the outlet of the tank, in order to deliver a medium pressure to the second stage regulator. Installation of Type 738AP should always be completed by a second-stage regulator which further reduces the delivery pressure from the first-stage down to the operating pressure. See diagram schematic: D-25 and D-28 (pages C13, C14) for installation system.

SAFETY DEVICES

Safety Relief Valve - (SRV) Protection

The Type 738AP regulator incorporates a pressure relief valve, a safety device designed to prevent the flow of gas at a pressure greater than the maximum allowable pressure of the gas burning appliance. This device operates discharging the excess pressure existing in the installation to the outside.

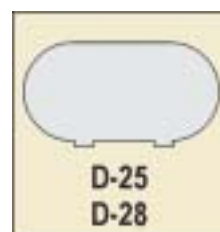
ACCESSORIES

On Request the Type 738AP can be equipped with a gauge for checking the leak-tightness of the complete installation.

MATERIALS

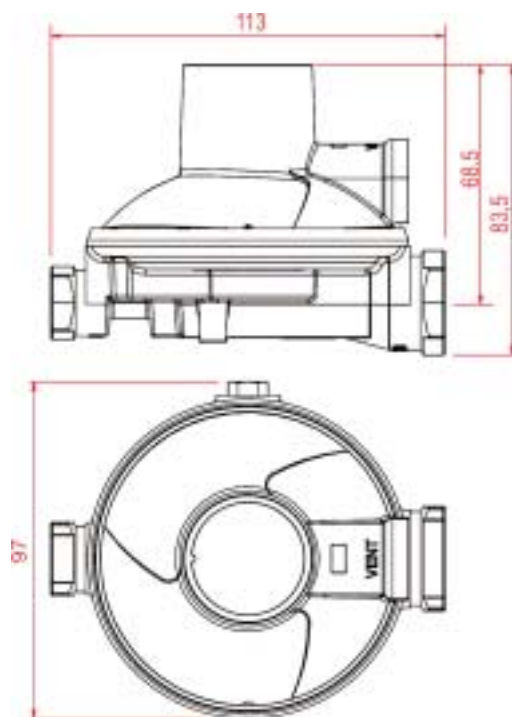
- Body : Die Cast Zinc/Painted
- Spring: : Steel
- Diaphragms : Approved NBR

INSTALLATIONS



Pag. C13-C14

DIMENSIONS



TECHNICAL FEATURES*

GAS	OUTLET PRESSURE (Depending on the gas)	CAPACITY (Depending on the gas)	WORKING TEMPERATURE	INLET CONNECTIONS (pag. D04)	OUTLET CONNECTIONS (pag. D06)
Propane Butane/Propane	0,5 bar	20 Kg/h	-20 ÷ +50 °C	TABLE D: D02	TABLE G: G06

* Note: The table shows all the variants of the configurations/technical features available for this type of regulator.
Homologation in compliance with a standard / country will relate to a specific combination of connections, technical features and performance criteria.

High Pressure First Stage Regulator Type 738HP

Part 1
REGULATORS FOR
DOMESTIC USE



FIRST STAGE HIGH PRESSURE



PRODUCT DESCRIPTION

The Type 738HP is a first-stage high pressure regulator with threaded inlet connection for direct attachment to the tank. This regulator is suitable for double stage pressure regulated domestic installations. The type 738HP used as a first stage regulator reduces the pressure at the outlet of the tank, in order to deliver a medium pressure to the second stage regulator. Installation of Type 738HP should always be completed by a second-stage regulator which further reduces the delivery pressure from the first-stage down to the operating pressure. See diagram schematic: D-25, and D28 (pages C13, C14) for installation system.

SAFETY DEVICES

Safety Relief Valve - (SRV) Protection

The Type 738HP regulator incorporates a pressure relief valve, a safety device designed to prevent the flow of gas at a pressure greater than the maximum allowable pressure of the gas burning appliance. This device operates discharging the excess pressure existing in the installation to the outside.

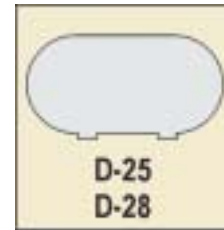
HOMOLOGATIONS*

- Homol. UL (U.S.A.)

MATERIALS

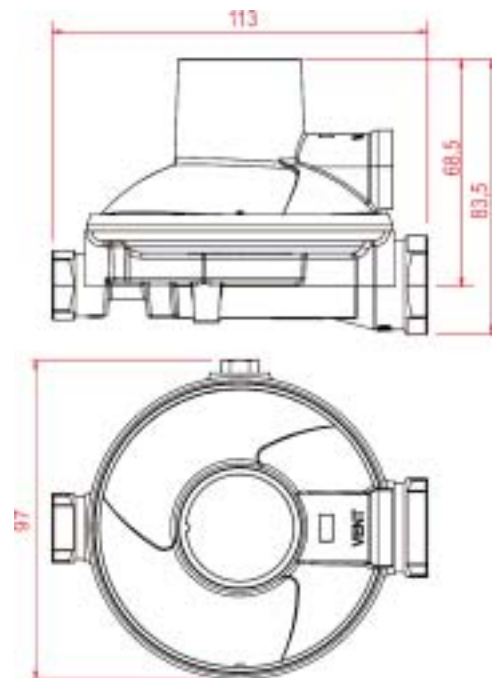
- Body : Die Cast Zinc/Painted
- Spring: : Steel protected
- Diaphragms : Approved NBR (Fabric reinforced)

INSTALLATIONS



Pag. C13-C14

DIMENSIONS



TECHNICAL FEATURES*

GAS	OUTLET PRESSURE (Depending on the gas)	CAPACITY (Depending on the gas)	WORKING TEMPERATURE	INLET CONNECTIONS (pag. D04)	OUTLET CONNECTIONS (pag. D06)
Propane	10 PSI (690 mbar)	20 Kg/h - (1.000.000 BTU/hr)	-20 ÷ +50 °C	TABLE D: A01	TABLE G: G01

* Note: The table shows all the variants of the configurations/technical features available for this type of regulator.

Homologation in compliance with a standard / country will relate to a specific combination of connections, technical features and performance criteria.

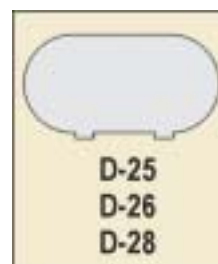
High Pressure First Stage Regulator Type 904

Part 1
REGULATORS FOR
DOMESTIC USE



FIRST STAGE
HIGH PRESSURE

INSTALLATIONS



Pag. C13-C14

PRODUCT DESCRIPTION

The Type 904 is a first-stage high pressure regulator with threaded inlet connection for direct attachment to the tank. This regulator is suitable for double stage pressure regulated domestic installations. The type 904 used as a first stage regulator reduces the pressure at the outlet of the tank, in order to deliver a medium pressure to the second stage regulator. Installation of Type 904 should always be completed by a second-stage regulator which further reduces the delivery pressure from the first-stage down to the operating pressure. See diagram schematic: D-25, D-26 and D28 (pages C13, C14) for installation system.

ACCESSORIES

On Request the Type 904 can be equipped with a gauge for checking the leak-tightness of the complete installation.

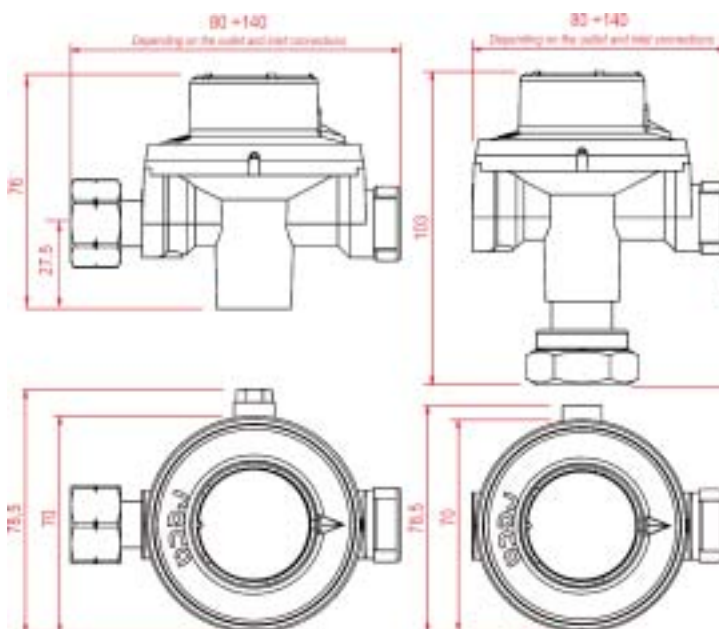
HOMOLOGATIONS*

- Homol. NF (France)

MATERIALS

- Body : Die Cast Zinc/Painted
- Spring: : Steel
- Diaphragms : Approved NBR

DIMENSIONS



TECHNICAL FEATURES*

GAS	OUTLET PRESSURE (Depending on the gas)	CAPACITY (Depending on the gas)	WORKING TEMPERATURE	INLET CONNECTIONS (pag. D01-D02-D04)	OUTLET CONNECTIONS (pag. D06 -D07)
Propane Butane/Propane	1 - 1,5 bar	40 Kg/h	-20 ÷ +50 °C	TABLE A: A01 - A11 - A24 - A31 - A32	TABLE G: G04
				TABLE D: D02	TABLE H: H07

* Note: The table shows all the variants of the configurations/technical features available for this type of regulator.
Homologation in compliance with a standard / country will relate to a specific combination of connections, technical features and performance criteria.

High Pressure First Stage Regulator with Safety Relief Valve Type 908

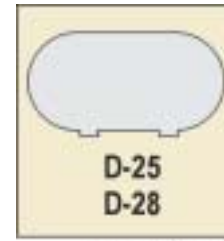
Part 1
REGULATORS FOR
DOMESTIC USE



FIRST STAGE HIGH PRESSURE



INSTALLATIONS



Pag. C13-C14

PRODUCT DESCRIPTION

The Type 908 is a first-stage high pressure regulator with threaded inlet connection for direct attachment to the tank. This regulator is suitable for double stage pressure regulated domestic installations. The type 908 used as a first stage regulator reduces the pressure at the outlet of the tank, in order to deliver a medium pressure to the second stage regulator. Installation of Type 908 should always be completed by a second-stage regulator which further reduces the delivery pressure from the first-stage down to the operating pressure. See diagram schematic: D-25 and D28 (pages C13, C14) for installation system.

SAFETY DEVICES

Safety Relief Valve - (SRV) Protection

The Type 908 regulator incorporates a pressure relief valve, a safety device designed to prevent the flow of gas at a pressure greater than the maximum allowable pressure of the gas burning appliance. This device operates discharging the excess pressure existing in the installation to the outside.

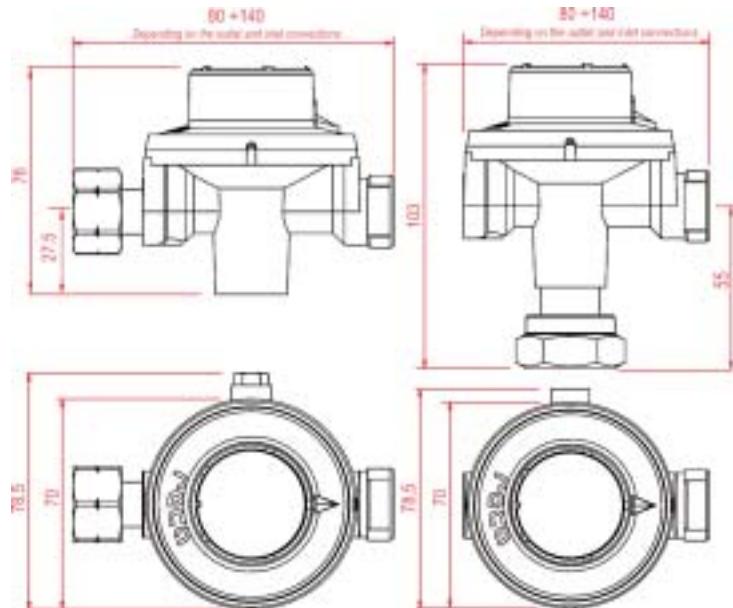
ACCESSORIES

On Request the Type 908 can be equipped with a gauge for checking the leak-tightness of the complete installation.

MATERIALS

- Body : Die Cast Zinc/Painted
- Spring: : Steel
- Diaphragms : Approved NBR

DIMENSIONS



TECHNICAL FEATURES*

GAS	OUTLET PRESSURE (Depending on the gas)	CAPACITY (Depending on the gas)	WORKING TEMPERATURE	INLET CONNECTIONS (pag. D01-D02 - D04)	OUTLET CONNECTIONS (pag. D06-D07)
Propane Butane/Propane	1 - 1,5 bar	40 Kg/h	-20 ÷ +50 °C	TABLE A: A01 - A32	TABLE G: G04
				TABLE D: D02	TABLE H: H07

* Note: The table shows all the variants of the configurations/technical features available for this type of regulator. Homologation in compliance with a standard / country will relate to a specific combination of connections, technical features and performance criteria.

Pressure Limiting Device Type 954

Part 1
REGULATORS FOR
DOMESTIC USE



PRODUCT DESCRIPTION

The pressure limiting device is a device which activates reducing the pressure when there is an abnormally high delivery pressure from the first stage, probably due to problems with the correct first stage regulation eg. ruptured diaphragm.

The device has a rated pressure that is greater than the rated pressure of the first stage, so as to prevent it from activating during normal operation.

The Type 954 can not be used as a first stage regulator but it should always be completed by a first stage before and a second-stage regulator which further reduces the delivery pressure from the first-stage down to the operating pressure.

Type 954 is normally used in installations in compliance with NF French Standards. See diagram schematic: D-26 (page C13) for installation system.

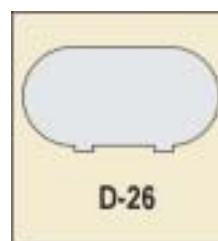
HOMOLOGATIONS*

- Homol. NF (France)

MATERIALS

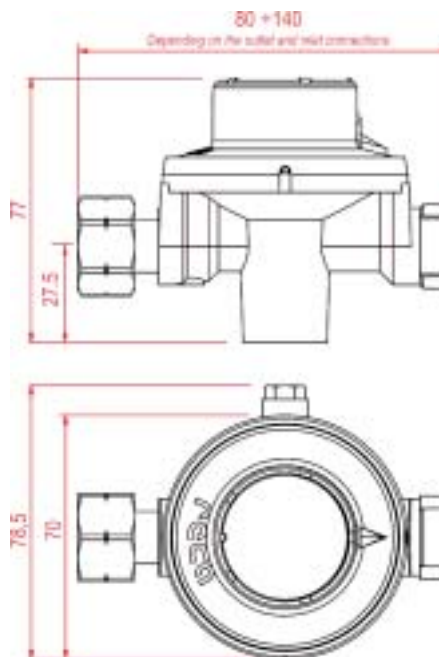
- Body : Die Cast Zinc/Painted
- Spring: : Steel
- Diaphragms : Approved NBR

INSTALLATIONS



Pag. C13

DIMENSIONS



TECHNICAL FEATURES*

GAS	OUTLET PRESSURE (Depending on the gas)	CAPACITY (Depending on the gas)	WORKING TEMPERATURE	INLET CONNECTIONS (pag. D04)	OUTLET CONNECTIONS (pag. D07)
Butane Propane	1,75 bar	10 Kg/h	-20 ÷ +50 °C	TABLE E: E04	TABLE H: LH07

* Note: The table shows all the variants of the configurations/technical features available for this type of regulator.
Homologation in compliance with a standard / country will relate to a specific combination of connections, technical features and performance criteria.

Low Pressure Second Stage Regulator Type 753B2

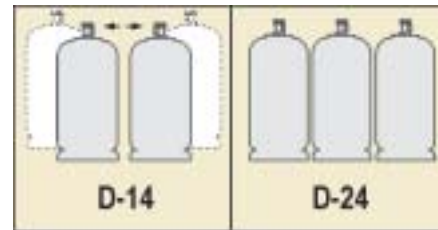
Part 1
REGULATORS FOR
DOMESTIC USE



SECOND STAGE LOW PRESSURE



INSTALLATIONS



Pag. C07-C12

PRODUCT DESCRIPTION

The Type 753B2 is a second-stage low pressure regulator suitable to be installed in double stage pressure regulated domestic installations.

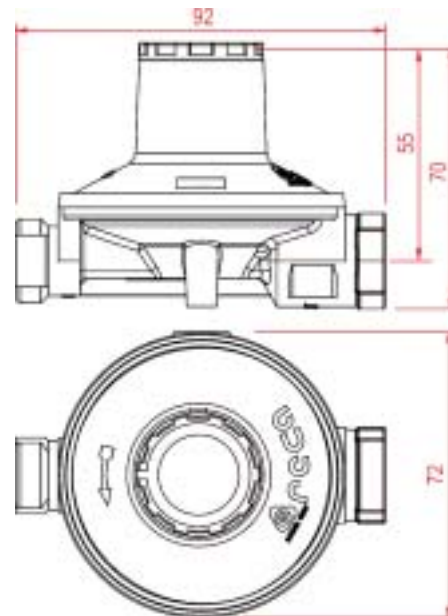
This regulator cannot be used as single stage regulator, but always has to be installed after a 1st stage regulator.

The type 753B2 reduces the pressure at the outlet from the 1st stage directly to the utilization pressure of the final appliances.

Furthermore, it is possible to set up manually the outlet pressure from 22 to 50 mbar.

See diagram schematic: D-14 and D-24 (page C07, C12) for installation system.

DIMENSIONS



ACCESSORIES

On request, it is possible to supply a mounting bracket for the correct position on every surface of the regulator Type 753B2

MATERIALS

- Body : Die Cast Zinc/Painted
- Spring: : Steel
- Diaphragms : Approved NBR

TECHNICAL FEATURES*

GAS	OUTLET PRESSURE (Depending on the gas)	CAPACITY (Depending on the gas)	WORKING TEMPERATURE	INLET CONNECTIONS (pag. D02-D04)	OUTLET CONNECTIONS (pag. D06-D07)
Butane Propane Butane/Propane	22÷50 mbar	4 Kg/h	-20 ÷ +50 °C	TABLE A: A31	TABLE G: G03 - G04
				TABLE D: D01 - D02	
				TABLE E: E04	TABLE H: H07

* Note: The table shows all the variants of the configurations/technical features available for this type of regulator.

Homologation in compliance with a standard / country will relate to a specific combination of connections, technical features and performance criteria.

Low Pressure Second Stage Regulator Type 754B2

Part 1
REGULATORS FOR
DOMESTIC USE



SECOND STAGE LOW PRESSURE



PRODUCT DESCRIPTION

The Type 754B2 is a second-stage low pressure regulator suitable to be installed in double stage pressure regulated domestic installations. This regulator cannot be used as single stage regulator, but always has to be installed after a 1st stage regulator. The type 754B2 reduces the pressure at the outlet from the 1st stage directly to the utilization pressure of the final appliances. See diagram schematic: D-14 and D-24 (page C07, C12) for installation system.

ACCESSORIES

On request, it is possible to supply a mounting bracket for the correct position on every surface of the regulator Type 754B2

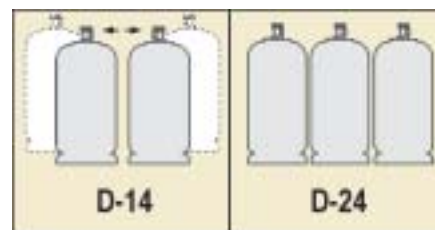
HOMOLOGATIONS*

- Compliance with BS 3016 (U.K.)

MATERIALS

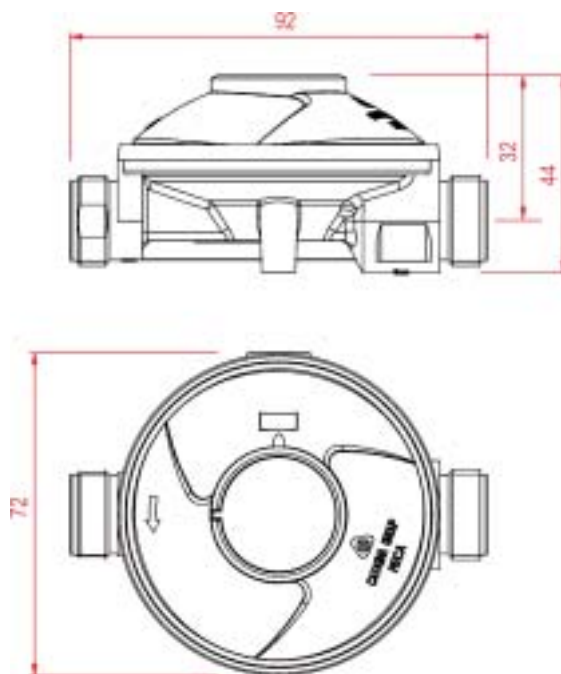
- Body : Die Cast Zinc/Painted
- Spring: : Steel
- Diaphragms : Approved NBR

INSTALLATIONS



Pag. C07-C12

DIMENSIONS



TECHNICAL FEATURES*

GAS	OUTLET PRESSURE <i>(Depending on the gas)</i>	CAPACITY <i>(Depending on the gas)</i>	WORKING TEMPERATURE	INLET CONNECTIONS <i>(pag. D02-D04)</i>	OUTLET CONNECTIONS <i>(pag. D06-D07)</i>
Butane Propane Butane/Propane	28 - 30 - 37 - 50	10 Kg/h	-20 ÷ +50 °C	TABLE A: A31	TABLE G: G03 - G04
				TABLE D: D01 - D02	
				TABLE E: E04	TABLE H: H07

* Note: The table shows all the variants of the configurations/technical features available for this type of regulator. Homologation in compliance with a standard / country will relate to a specific combination of connections, technical features and performance criteria.

Low Pressure Second Stage Regulator with Safety Relief Valve Type 758B2

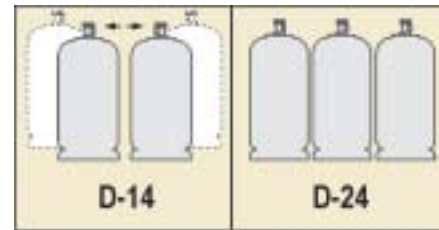
Part 1
REGULATORS FOR
DOMESTIC USE



SECOND STAGE LOW PRESSURE



INSTALLATIONS



Pag. C07-C12

PRODUCT DESCRIPTION

The Type 758B2 is a second-stage low pressure regulator suitable to be installed in double stage pressure regulated domestic installation. This regulator cannot be used as single stage regulator, but always has to be installed after a 1st stage regulator. The type 758B2 reduces the pressure at the outlet from the 1st stage directly to the utilization pressure of the final appliances. See diagram schematic: D-14 and D-24 (page C07, C12) for installation system.

SAFETY DEVICES

Safety Relief Valve - (SRV) Protection

The Type 758B2 regulator incorporates a pressure relief valve, a safety device designed to prevent the flow of gas at a pressure greater than the maximum allowable pressure of the gas burning appliance. This device operates discharging the excess pressure existing in the installation to the outside.

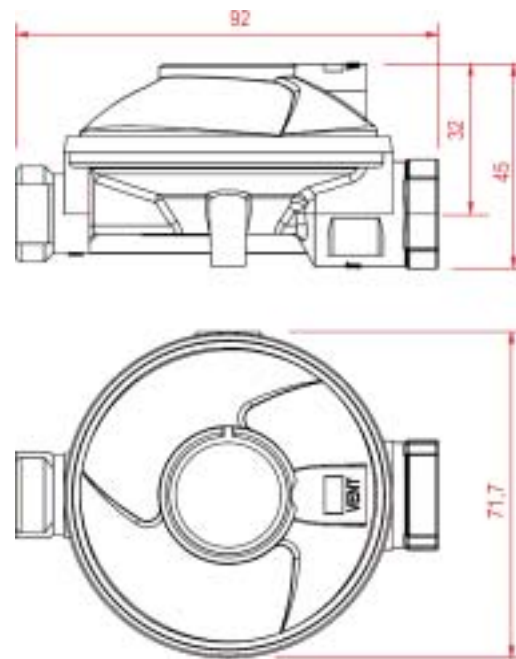
ACCESSORIES

On request, it is possible to supply a mounting bracket for the correct position on every surface of the regulator Type 758B2

MATERIALS

- Body : Die Cast Zinc/Painted
- Spring: : Steel
- Diaphragms : Approved NBR

DIMENSIONS



TECHNICAL FEATURES*

GAS	OUTLET PRESSURE (Depending on the gas)	CAPACITY (Depending on the gas)	WORKING TEMPERATURE	INLET CONNECTIONS (pag. D02-D04)	OUTLET CONNECTIONS (pag. D06-D07)
Butane Propane Butane/Propane	28 - 30 - 37 - 50	1 - 1,5 - 2 - 4 Kg/h	-20 ÷ +50 °C	TABLE A: A31	TABLE G: G03 - G04
				TABLE D: D01 - D02	
				TABLE E: E04	TABLE H: H07

* Note: The table shows all the variants of the configurations/technical features available for this type of regulator. Homologation in compliance with a standard / country will relate to a specific combination of connections, technical features and performance criteria.

Low Pressure Second Stage Regulator Type 734B2

Part 1
REGULATORS FOR
DOMESTIC USE



SECOND STAGE LOW PRESSURE



PRODUCT DESCRIPTION

The Type 734B2 is a second-stage low pressure regulator suitable to be installed in double stage domestic installations for capacities up to 10 Kg/h.

This regulator cannot be used as single stage regulator, but always has to be installed after a 1st stage regulator.

The type 734B2 reduces the pressure at the outlet from the 1st stage directly to the utilization pressure of the final appliances.

See diagram schematic: D-25 (page C13) for installation system.

ACCESSORIES

On request, it is possible to supply a mounting bracket for the correct position on every surface of the regulator Type 734B2

MATERIALS

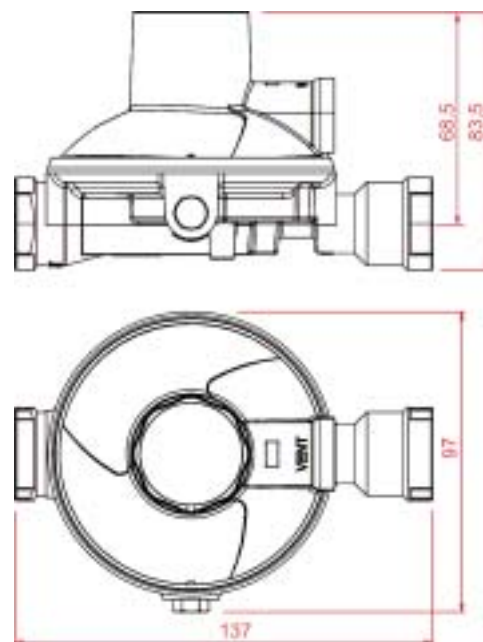
- Body : Die Cast Zinc/Painted
- Spring: : Steel
- Diaphragms : Approved NBR

INSTALLATIONS



Pag. C13

DIMENSIONS



TECHNICAL FEATURES*

GAS	OUTLET PRESSURE (Depending on the gas)	CAPACITY (Depending on the gas)	WORKING TEMPERATURE	INLET CONNECTIONS (pag. D04)	OUTLET CONNECTIONS (pag. D06)
Butane Propane Butane/Propane	28-30-37-50 mbar	10 Kg/h	-20 ÷ +50 °C	TABLE D: D02 - D06	TABLE G: G06

* Note: The table shows all the variants of the configurations/technical features available for this type of regulator.
Homologation in compliance with a standard / country will relate to a specific combination of connections, technical features and performance criteria.

Low Pressure Second Stage Regulator with Safety Relief Valve Type 738B2

Part 1
REGULATORS FOR
DOMESTIC USE



SECOND STAGE LOW PRESSURE



PRODUCT DESCRIPTION

The Type 738B2 is a second-stage low pressure regulator suitable to be installed in double stage domestic installations for capacities up to 10 Kg/h. The type 738B2 reduces the pressure at the outlet from the 1st stage directly to the utilization pressure of the final appliances. Furthermore, it is possible to set up manually the outlet pressure. This regulator cannot be used as single stage regulator, but always has to be installed after a 1st stage regulator. See diagram schematic: D-25 (page C13) for installation system.

SAFETY DEVICES

Safety Relief Valve - (SRV) Protection

The Type 738B2 regulator incorporates a pressure relief valve, a safety device designed to prevent the flow of gas at a pressure greater than the maximum allowable pressure of the gas burning appliance. This device operates discharging the excess pressure existing in the installation to the outside.

ACCESSORIES

On request, it is possible to supply a mounting bracket for the correct position on every surface of the regulator Type 738B2

MATERIALS

- Body : Die Cast Zinc/Painted
- Spring: : Steel
- Diaphragms : Approved NBR

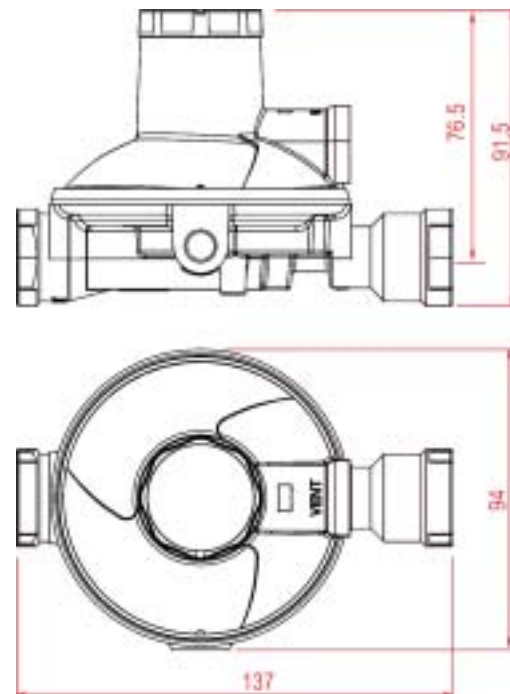
INSTALLATIONS



D-25

Pag. C13

DIMENSIONS



TECHNICAL FEATURES*

GAS	OUTLET PRESSURE (Depending on the gas)	CAPACITY (Depending on the gas)	WORKING TEMPERATURE	INLET CONNECTIONS (pag. D04)	OUTLET CONNECTIONS (pag. D06)
Butane Propane Butane/Propane	28-30-37-50 mbar	10 Kg/h	-20 ÷ +50 °C	TABLE D: D02 - D06	TABLE G: G06

* Note: The table shows all the variants of the configurations/technical features available for this type of regulator.

Homologation in compliance with a standard / country will relate to a specific combination of connections, technical features and performance criteria.

Low Pressure Second Stage Regulator Type 738BP

Part 1
REGULATORS FOR
DOMESTIC USE



SECOND STAGE LOW PRESSURE



PRODUCT DESCRIPTION

The type 738BP is a second stage regulator manufactured according to the standard requirements of UL 144 and NFPA 58.

This regulator cannot be used as single stage regulator, but always has to be installed after a 1st stage regulator.

This regulator reduces the pressure at the outlet from the 1st stage directly to the utilization pressure of the final appliances (11" w.c).

Furthermore, it is possible to set up manually the outlet pressure from a minimum value of 9" w.c. to a maximum value of 13" w.c. The type 738BP is suitable to be installed in double stage pressure regulated domestic installation. See diagram schematic: D-25 (page C13) for installation system.

SAFETY DEVICES

Protection device in case of overpressure

The overpressure value (2 PSI), which is accepted by the UL Standard 144, in case of working problems or anomalies, is controlled by a safety device consisting of a flow limiter working together with a safety valve. This device keeps the overpressure value widely lower than the value expected by the standard without releasing high quantities of propane gas into the atmosphere through the vent hole.

Protection device in case of an excess flow

The device "excess flow" assembled into the regulator operates (at 140% of the guaranteed flow rate) by limiting the gas flow to (50.000 BTU max) in the event of a sudden increase in the desired flow, as in the case of hose rupture or accidental disconnection from the outlet of the regulator while in use.

ACCESSORIES

On request, it is possible to supply a mounting bracket for the correct position on every surface of the regulator Type 738BP

HOMOLOGATIONS*

- Homol. UL (U.S.A.)

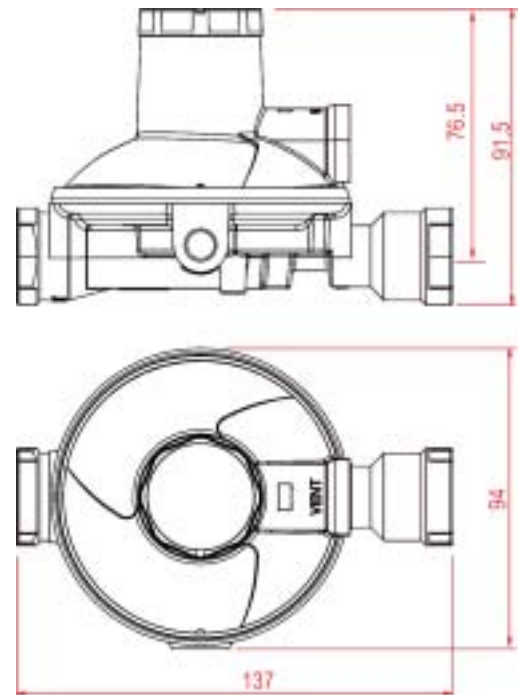
INSTALLATIONS



D-25

Pag. C13

DIMENSIONS



MATERIALS

- Body : Die Cast Zinc/Painted
- Spring: : Steel protected
- Diaphragms : Approved NBR (Fabric reinforced)

TECHNICAL FEATURES*

GAS	OUTLET PRESSURE (Depending on the gas)	CAPACITY (Depending on the gas)	WORKING TEMPERATURE	INLET CONNECTIONS (pag. D04)	OUTLET CONNECTIONS (pag. D06)
Propane	11" w.c. (29 mbar)	10 Kg/h - (400.000 BTU/hr)	-20 ÷ +50 °C	TABLE D: D05	TABLE G: G05

* Note: The table shows all the variants of the configurations/technical features available for this type of regulator.
Homologation in compliance with a standard / country will relate to a specific combination of connections, technical features and performance criteria.

Medium Pressure Second Stage Regulator Type 738MP

Part 1
REGULATORS FOR
DOMESTIC USE



SECOND STAGE MEDIUM PRESSURE



PRODUCT DESCRIPTION

The type 738MP is a second stage regulator manufactured according to the standard requirements of UL 144 and NFPA 58.

The type 738MP is a second stage medium pressure regulator, suitable to be assembled in installations requiring 3 regulation stages.

This regulator reduces the pressure at the outlet from the 1st stage to a medium pressure (2 PSI). Generally, after the regulator type 738MP it is necessary to install a stabiliser, in order to keep a constant pressure of 11" wc. The type 738MP is suitable to be installed in double stage pressure regulated domestic installations. See diagram schematic: D-28 (page C14) for installation system.

SAFETY DEVICES

Protection device in case of overpressure

The overpressure value (2 PSI), which is accepted by the UL Standard 144, in case of working problems or anomalies, is controlled by a safety device consisting of a flow limiter working together with a safety valve. This device keeps the overpressure value widely lower than the value expected by the standard without releasing, high quantities of propane gas into the atmosphere through the vent hole.

Protection device in case of an excess flow

The device "excess flow" assembled into the regulator operates (at 140% of the guaranteed flow rate) by limiting the gas flow to (50.000 BTU max) in the event of a sudden increase in the desired flow, as in the case of hose rupture or accidental disconnection from the outlet of the regulator while in use.

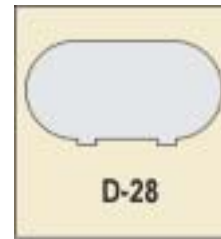
ACCESSORIES

On request, it is possible to supply a mounting bracket for the correct position on every surface of the regulator Type 738MP

HOMOLOGATIONS*

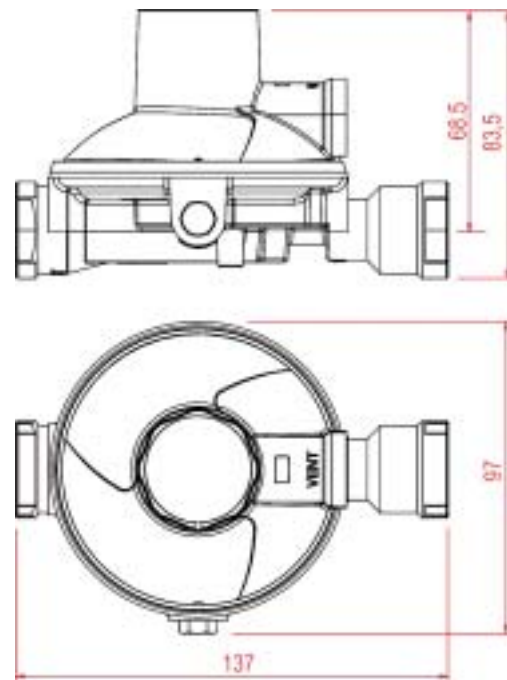
- Homol. UL (U.S.A.)

INSTALLATIONS



Pag. C14

DIMENSIONS



MATERIALS

- Body : Die Cast Zinc/Painted
- Spring: : Steel protected
- Diaphragms : Approved NBR (Fabric reinforced)

TECHNICAL FEATURES*

GAS	OUTLET PRESSURE (Depending on the gas)	CAPACITY (Depending on the gas)	WORKING TEMPERATURE	INLET CONNECTIONS (pag. D04)	OUTLET CONNECTIONS (pag. D06)
Propane	2 PSI (140 mbar)	12 Kg/h - (500.000 BTU/hr)	-20 ÷ +50 °C	TABLE D: D05	TABLE G: G05

* Note: The table shows all the variants of the configurations/technical features available for this type of regulator.

Homologation in compliance with a standard / country will relate to a specific combination of connections, technical features and performance criteria.

Low Pressure Second Stage Regulator With UPSO device Type 776

Part 1
REGULATORS FOR
DOMESTIC USE



SECOND STAGE LOW PRESSURE



PRODUCT DESCRIPTION

The Type 776 is a second-stage, low pressure regulator. The Type 738 is a second-stage low pressure regulator suitable to be installed in double stage pressure regulated domestic installation. Both regulators cannot be used as single stage regulators, but they always have to be installed after a 1st stage regulator. The type 738 reduces the pressure at the outlet from the 1st stage directly to the utilization pressure of the final appliances. See diagram schematic: D-13, D16 (page C07), D-23 (page C12) and D-26 (page C13) for installation system.

SAFETY DEVICES

Under-Pressure Shut Off (UPS) Protection

The Type 776 is provided with a third safety device, called UPSO, which will operate when the installation supply pressure is insufficient and, therefore, the regulator is unable to guarantee a correct operating pressure. After activation of UPSO devices and removal of any anomalies, it is necessary to reset the safety devices by hand in order to resume the regulator correct operation.

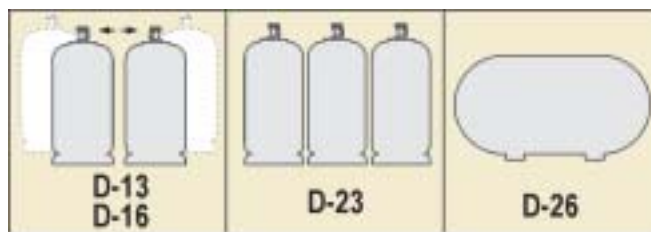
ACCESSORIES

On request, it is possible to supply a mounting bracket for the correct position on every surface of the regulator and with a protection cover.

HOMOLOGATIONS*

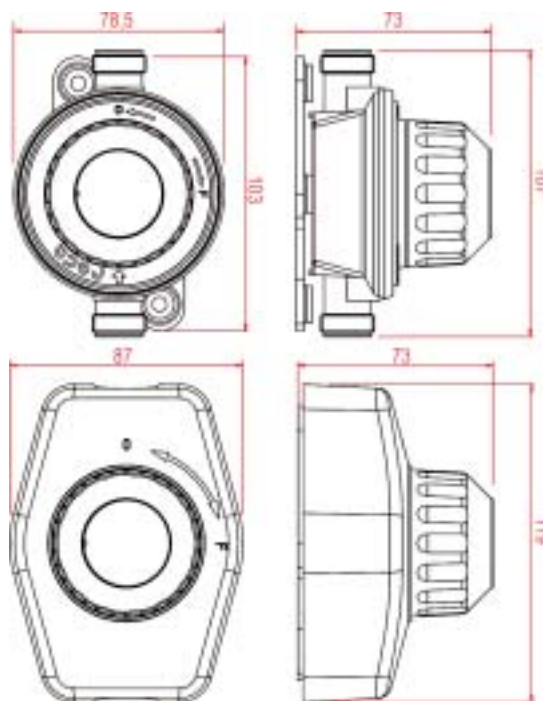
- Homol. NF (France)

INSTALLATIONS



Pag. C07-C12-C13

DIMENSIONS



MATERIALS

- Body : Die Cast Zinc/Painted
- Spring: : Steel
- Diaphragms : Approved NBR

TECHNICAL FEATURES*

GAS	OUTLET PRESSURE <i>(Depending on the gas)</i>	CAPACITY <i>(Depending on the gas)</i>	WORKING TEMPERATURE	INLET CONNECTIONS <i>(pag. D04)</i>	OUTLET CONNECTIONS <i>(pag. D06-D07)</i>
Butane Propane Butane/Propane	28 - 30 - 37 - 50 mbar	1,3 - 1,5 - 4 - 5 - 8 Kg/h	-20 ÷ +50 °C	TABLE E: E04	TABLE G: G12 TABLE H: H07

* Note: The table shows all the variants of the configurations/technical features available for this type of regulator. Homologation in compliance with a standard / country will relate to a specific combination of connections, technical features and performance criteria.

Low Pressure Second Stage Regulator Type 743

Part 1
REGULATORS FOR
DOMESTIC USE



SECOND STAGE LOW PRESSURE



PRODUCT DESCRIPTION

The Type 743 is a second-stage low pressure regulator suitable to be installed in double stage domestic installations up to 15 Kg/h capacity. The type 743 reduces the pressure at the outlet from the 1st stage directly to the utilization pressure of the final appliances. Furthermore, it is possible to set up manually the outlet pressure. This regulator cannot be used as single stage regulator, but always has to be installed after a 1st stage regulator. See diagram schematic: D-25 (page C13) for installation system.

ACCESSORIES

On request, it is possible to supply a mounting bracket for the correct position on every surface of the regulator Type 743.

MATERIALS

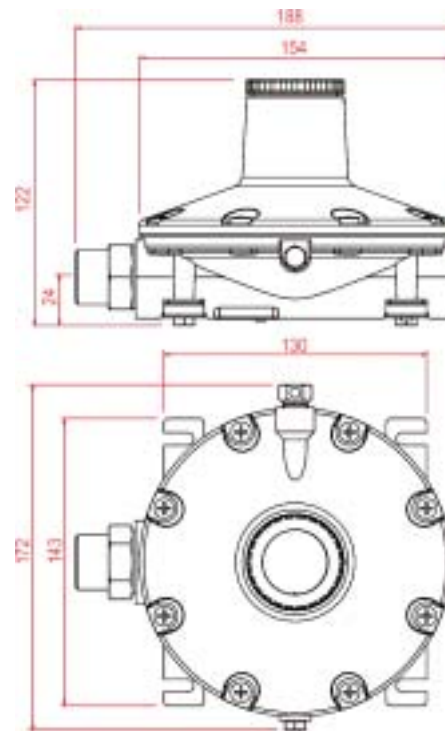
- Body : Die Cast Zinc/Painted
- Spring: : Steel
- Diaphragms : Approved NBR

INSTALLATIONS



Pag. C13

DIMENSIONS



TECHNICAL FEATURES*

GAS	OUTLET PRESSURE (Depending on the gas)	CAPACITY (Depending on the gas)	WORKING TEMPERATURE	INLET CONNECTIONS (pag. D04)	OUTLET CONNECTIONS (pag. D06-D07)
Propane Butane/Propane	30 - 37 mbar	15 Kg/h	-20 ÷ +50 °C	TABLE D: D04	TABLE G: G08
					TABLE H: H06

* Note: The table shows all the variants of the configurations/technical features available for this type of regulator.

Homologation in compliance with a standard / country will relate to a specific combination of connections, technical features and performance criteria.

Low Pressure Second Stage Regulator with Safety Relief Valve Type 748

Part 1
REGULATORS FOR
DOMESTIC USE



SECOND STAGE LOW PRESSURE



PRODUCT DESCRIPTION

The Type 748 is a second-stage low pressure regulator suitable to be installed in double stage domestic installations up to 15 Kg/h capacity. The type 748 reduces the pressure at the outlet from the 1st stage directly to the utilization pressure of the final appliances.

Furthermore, it is possible to set up manually the outlet pressure.

This regulator cannot be used as single stage regulator, but always has to be installed after a 1st stage regulator.

See diagram schematic: D-25 (page C13) for installation system.

SAFETY DEVICES

Safety Relief Valve - (SRV) Protection

The Type 748 regulator incorporates a pressure relief valve, a safety device designed to prevent the flow of gas at a pressure greater than the maximum allowable pressure of the gas burning appliance. This device operates discharging the excess pressure existing in the installation to the outside.

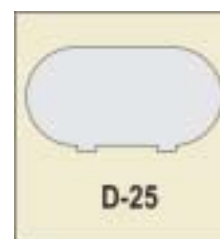
ACCESSORIES

On request, it is possible to supply a mounting bracket for the correct position on every surface of the regulator Type 748.

MATERIALS

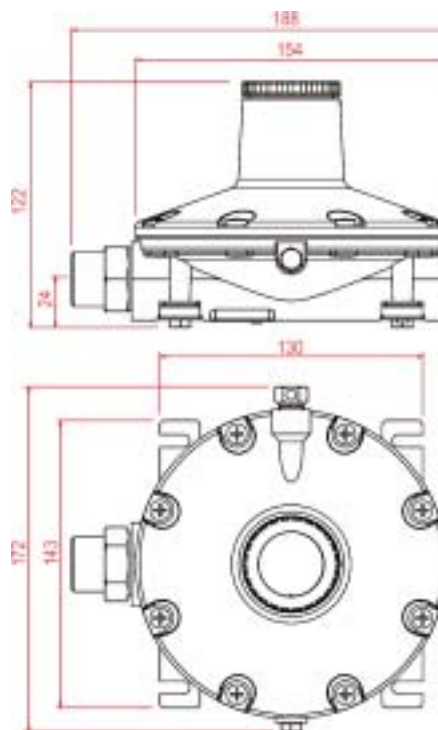
- Body : Die Cast Zinc/Painted
- Spring: : Steel
- Diaphragms : Approved NBR

INSTALLATIONS



Pag. C13

DIMENSIONS



TECHNICAL FEATURES*

GAS	OUTLET PRESSURE <i>(Depending on the gas)</i>	CAPACITY <i>(Depending on the gas)</i>	WORKING TEMPERATURE	INLET CONNECTIONS <i>(pag. D04)</i>	OUTLET CONNECTIONS <i>(pag. D06-D07)</i>
Propane Butane/Propane	30 - 37 mbar	15 Kg/h	-20 ÷ +50 °C	TABLE D: D04	TABLE G: G08
					TABLE H: H06

* Note: The table shows all the variants of the configurations/technical features available for this type of regulator.
Homologation in compliance with a standard / country will relate to a specific combination of connections, technical features and performance criteria.

Low Pressure Second Stage Regulator Type 763

Part 1
REGULATORS FOR
DOMESTIC USE



SECOND STAGE LOW PRESSURE



PRODUCT DESCRIPTION

The Type 763 is a second-stage low pressure regulator suitable to be installed in double stage domestic installations up to 30 Kg/h capacity.

The type 763 reduces the pressure at the outlet from the 1st stage directly to the utilization pressure of the final appliances.

Furthermore, it is possible to set up manually the outlet pressure.

This regulator cannot be used as single stage regulator, but always has to be installed after a 1st stage regulator.

See diagram schematic: D-25 (page C13) for installation system.

ACCESSORIES

On request, it is possible to supply a mounting bracket for the correct position on every surface of the regulator Type 763.

MATERIALS

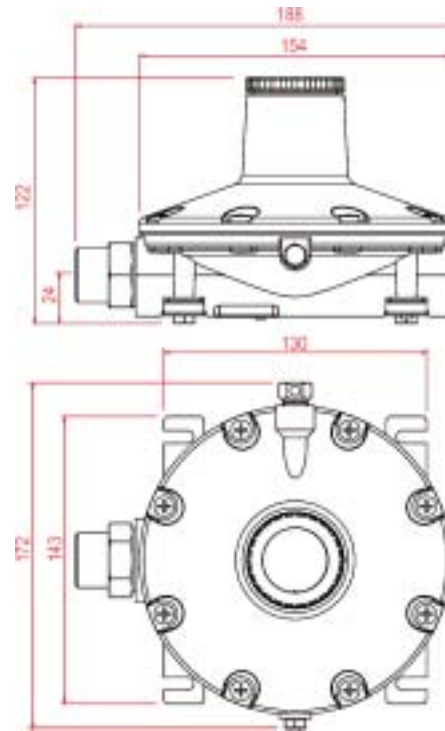
- Body : Die Cast Zinc/Painted
- Spring: : Steel
- Diaphragms : Approved NBR

INSTALLATIONS



Pag. C13

DIMENSIONS



TECHNICAL FEATURES*

GAS	OUTLET PRESSURE (Depending on the gas)	CAPACITY (Depending on the gas)	WORKING TEMPERATURE	INLET CONNECTIONS (pag. D04)	OUTLET CONNECTIONS (pag. D06-D07)
Propane Butane/Propane	30 - 37 mbar	30 Kg/h	-20 ÷ +50 °C	TABLE D: D04	TABLE G: G08
					TABLE H: H06

* Note: The table shows all the variants of the configurations/technical features available for this type of regulator.

Homologation in compliance with a standard / country will relate to a specific combination of connections, technical features and performance criteria.

Low Pressure Second Stage Regulator with Safety Relief Valve Type 768

Part 1
REGULATORS FOR
DOMESTIC USE



SECOND STAGE LOW PRESSURE



PRODUCT DESCRIPTION

The Type 763 is a second-stage low pressure regulator suitable to be installed in double stage domestic installations up to 30 Kg/h capacity. The type 768 reduces the pressure at the outlet from the 1st stage directly to the utilization pressure of the final appliances. Furthermore, it is possible to set up manually the outlet pressure. This regulator cannot be used as single stage regulator, but they always have to be installed after a 1st stage regulator. See diagram schematic: D-25 (page C13) for installation system.

SAFETY DEVICES

Safety Relief Valve - (SRV) Protection

The Type 768 regulator incorporates a pressure relief valve, a safety device designed to prevent the flow of gas at a pressure greater than the maximum allowable pressure of the gas burning appliance. This device operates discharging the excess pressure existing in the installation to the outside.

ACCESSORIES

On request, it is possible to supply a mounting bracket for the correct position on every surface of the regulator Type 768.

MATERIALS

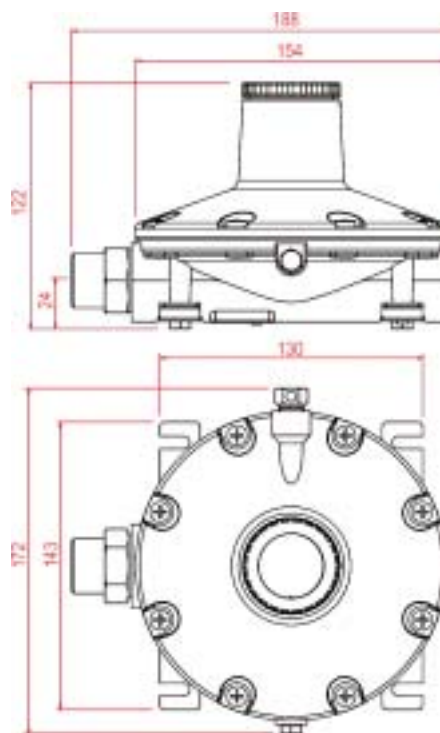
- Body : Die Cast Zinc/Painted
- Spring: : Steel
- Diaphragms : Approved NBR

INSTALLATIONS



Pag. C13

DIMENSIONS



TECHNICAL FEATURES*

GAS	OUTLET PRESSURE (Depending on the gas)	CAPACITY (Depending on the gas)	WORKING TEMPERATURE	INLET CONNECTIONS (pag. D04)	OUTLET CONNECTIONS (pag. D06-D07)
Propane Butane/Propane	30 - 37 mbar	30 Kg/h	-20 ÷ +50 °C	TABLE D: D04	TABLE G: G08 TABLE H: H06

* Note: The table shows all the variants of the configurations/technical features available for this type of regulator. Homologation in compliance with a standard / country will relate to a specific combination of connections, technical features and performance criteria.



CAVAGNA group
Advanced Solutions for Gas Control

LPG & NATURAL GAS REGULATORS DIVISION

Part 2



REGULATORS FOR CAMPING AND CARAVAN

Low Pressure Single Stage Regulator Type 794 Camping

Part 2
REGULATORS FOR
CAMPING AND CARAVAN



SINGLE STAGE LOW PRESSURE



PRODUCT DESCRIPTION

The Type 794 is an adjustable single-stage low-pressure regulator for camping application, with a threaded inlet connection for direct connection to a cylinder valve.

The Type 794 is constructed to control the prevailing cylinder pressure reducing it directly down to the service appliance pressure.

Gas opening and closing is possible by rotating the handle fitted on the side of this regulator. The Type 794 can be used, as shown in diagrams L-01 (page C15).

SAFETY DEVICES

Excess-flow

On request, it is possible to have a safety, the so-called “**excess-flow valve**”, incorporated, which operates limiting the gas passageway when the quantity of gas required by the appliance is greater than the regulator delivery capacity or whenever the appliance connecting hose gets accidentally disconnected or cut.

Once the connection is reset and the anomaly is removed, the safety device shall reset automatically.

HOMOLOGATIONS*

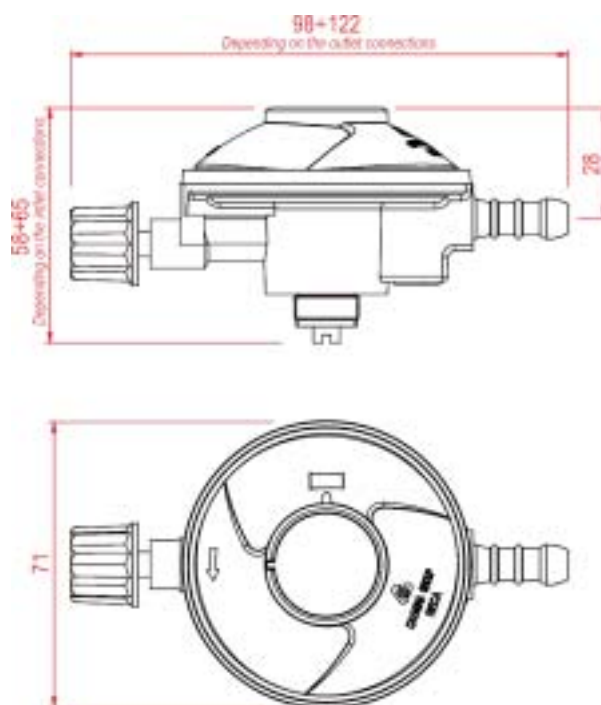
- Homol. NF (France)
- Compliance with EN 12864 (EEC)

INSTALLATIONS



Pag. C15

DIMENSIONS



MATERIALS

- Body : Die Cast Zinc/Painted
- Spring : Steel
- Diaphragms : Approved NBR

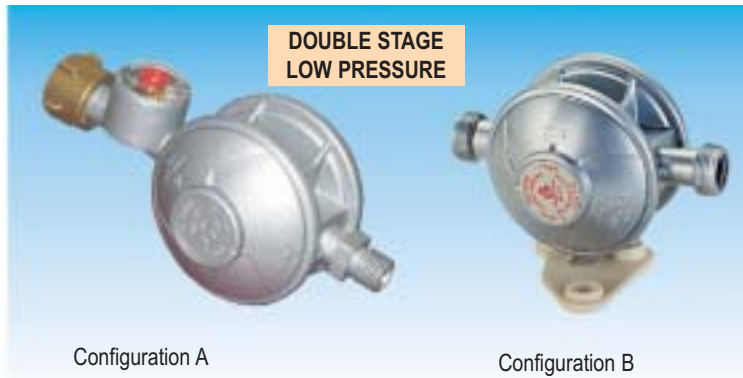
TECHNICAL FEATURES*

GAS	OUTLET PRESSURE (Depending on the gas)	CAPACITY (Depending on the gas)	WORKING TEMPERATURE	INLET CONNECTIONS (pag. D03)	OUTLET CONNECTIONS (pag. D05-D07)
Butane Butane/Propane	0,8 - 28 - 29 - 30 - 50 mbar	0,5 - 0,8 - 1 Kg/h	-20 ÷ +50 °C	TABLE C: C01 - C02 - C03 - C04 - C05 - C06	TABLE F: F04 TABLE H: H02

* Note: The table shows all the variants of the configurations/technical features available for this type of regulator.
Homologation in compliance with a standard / country will relate to a specific combination of connections, technical features and performance criteria.

Low Pressure Double Stage Regulator Type 424C

Part 2
REGULATORS FOR
CAMPING AND CARAVAN



PRODUCT DESCRIPTION

The type 424C is a regulator conceived, in order to be used on caravans and autocaravans and it has been built in compliance with the standard EN 12864 annex D. The double stage regulator, type 424C, is a combination consisting of a 1st stage medium pressure regulator and of a 2nd stage low pressure regulator. The 1st stage regulator reduces the pressure at the outlet from the cylinder to a value of 140 mbar; then, the 2nd stage regulator reduces further the gas pressure to the utilization pressure value of 30 mbar. According to the configuration A or B the type 424C is conceived in order to be connected directly to the cylinder or through a high pressure threaded hose. The connection to the user appliance can be arranged through the flexible hose as required by the current standard in the different countries of destination (Conf.A), or through copper pipes (conf. B). See diagram schematic: L-02 (page C15) for installation system.

SAFETY DEVICES

Protection in case of overpressure

The overpressure value (150 mbar), in case of non-working or anomalies, required by the standard EN 12864, is guaranteed by the first stage reducing the pressure to the value of 140 mbar coming from the cylinder. Therefore, in case the second stage should not work, the pressure is not going to be higher than the value required by the standard. In case the first stage should not work or should break, the pressure will be checked by the second stage, able to reduce the value of the maximum pressure coming from the cylinder to the value of 80 mbar.

Safety Relief Valve - (SRV) Protection

On request, it is possible to assemble a relief valve inside the second stage of the type 424C, working in case of restricted and temporary anomalies. The assembling of the relief valve inside the regulator type 424C reduces the maximum overpressure value inside the installation to the value of 80 mbar, consequently evacuating a changeable quantity of gas outside the installation (max 3 kg/hr). The installation of the safety relief valve is indicated on the identification name-plate with the writing P.R.V. as required by the standard EN 12864.

HOMOLOGATIONS*

- Homol. DVGW (German)

- Compliance with EN 12864 - Annex D (EEC)

MATERIALS

- Body : Die Cast Zinc/Painted
- Spring: : Steel protected
- Diaphragms : Approved NBR

ACCESSORIES

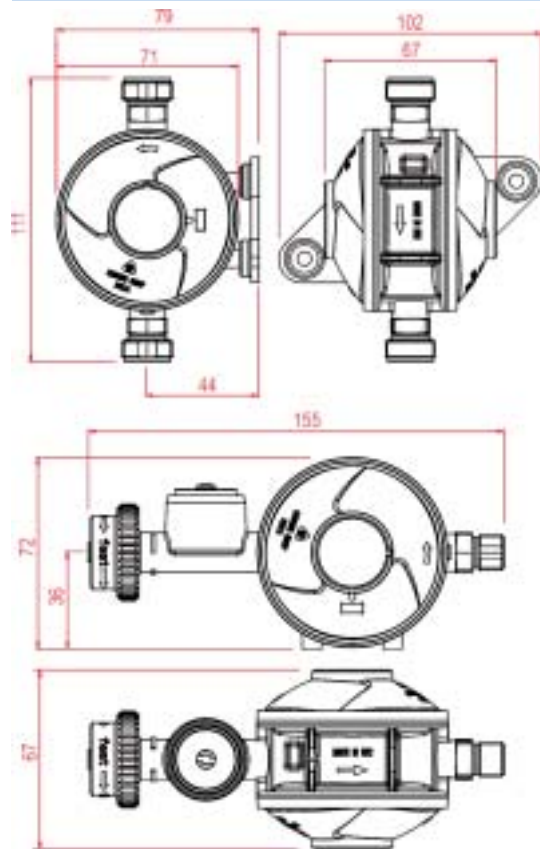
On request, it is possible to supply a mounting bracket for the correct position on every surface of the regulator Type 424C (Configuration B).

INSTALLATIONS



Pag. C15

DIMENSIONS



TECHNICAL FEATURES*

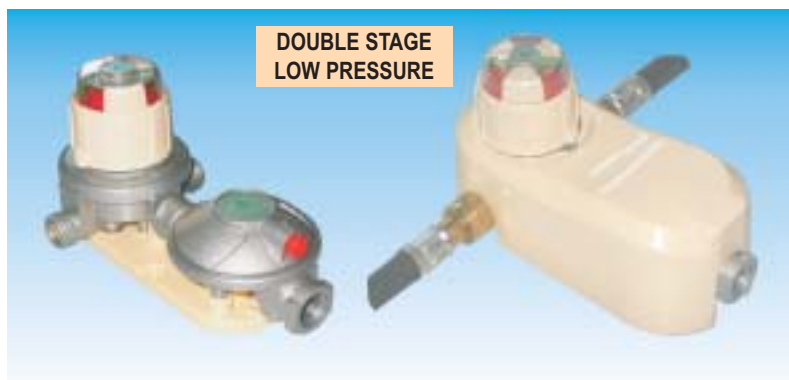
GAS	OUTLET PRESSURE (Depending on the gas)	CAPACITY (Depending on the gas)	WORKING TEMPERATURE	INLET CONNECTIONS (pag. D01 - D04)	OUTLET CONNECTIONS (pag. D06-D07)
Butane/Propane	30 mbar	1,5 Kg/h	-20 ÷ +50 °C	TABLE A: A07	TABLE G: G04
				TABLE E: E01 - E04	TABLE H: H02 - H07

* Note: The table shows all the variants of the configurations/technical features available for this type of regulator.

Homologation in compliance with a standard / country will relate to a specific combination of connections, technical features and performance criteria.

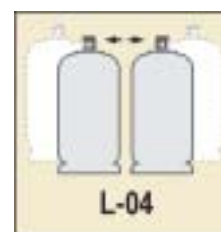
Low Pressure Double Stage Regulator Type 924C

Part 2
REGULATORS FOR
CAMPING AND CARAVAN



**DOUBLE STAGE
LOW PRESSURE**

INSTALLATIONS



Pag. C16

PRODUCT DESCRIPTION

The type 924C is a regulating system with the function of automatic changeover of the withdrawal, conceived, in order to be used on caravans and autocaravans and it has been built in compliance with the standard EN 12864 annex D. The double stage automatic changeover regulator, type 924C, is a combination consisting of an automatic changeover working as a 1st stage coupled to a 2nd stage regulator. The automatic changeover (1st stage regulator) reduces the pressure at the outlet from the cylinder to a value of 500 mbar max; The 2nd stage regulator reduces further the gas pressure to the utilization pressure value of 30 mbar. The automatic changeover ensures continuous gas flow, automatically changing the gas withdrawal from the exhausted "service" cylinder to the full "reserve" one. The full-empty indicator assembled into the changeover handle indicates the exhaustion status of the "service" cylinder. The indicator colour changes from green to red, when the "service" cylinder is exhausted. The rotation of the automatic changeover handle to the full "reserve" cylinder restores the green colour on the indicator. See diagram schematic: L-04 (page C16) for installation system.

SAFETY DEVICES

Protection device in case of overpressure

The overpressure value (140 mbar), which is accepted by the EN Standard 12864, in case of working problems or anomalies, is controlled by a safety device consisting of a flow limiter working together with a safety valve. This device keeps the overpressure value widely lower than the value expected by the standard without releasing, high quantities of propane gas into the atmosphere through the vent hole.

Protection device in case of an excess flow

The device "excess flow" assembled into the regulator operates (at 140% of the guaranteed flow rate) by limiting the gas flow to (1Kg/h max) in the event of a sudden increase in the desired flow, as in the case of hose rupture or accidental disconnection from the outlet of the regulator while in use.

Non-return valves

The type 924C is equipped with non-return valves assembled into the inlet fittings, the device limits the amount of gas escaping from the end of the disconnected hose during cylinder replacement.

ACCESSORIES

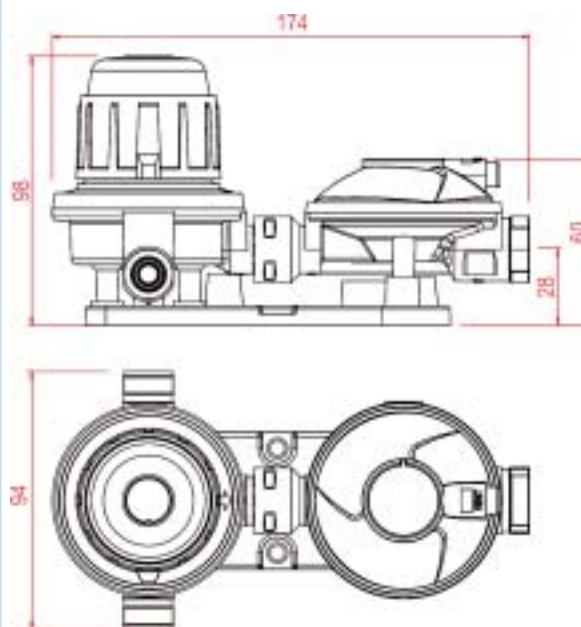
Mounting bracket

On request, it is possible to supply a mounting bracket for the correct position on every surface of the regulator Type 924C.

Protection Cover

For the outside installation of the Type 924C a special protection cover to guard against rain is a necessity.

DIMENSIONS



HOMOLOGATIONS*

- Homol. DVGW (German) - Compliance with EN 12864 - Annex D (EEC)

MATERIALS

- Body : Die Cast Zinc/Painted
- Spring : Steel
- Diaphragms : Approved NBR

TECHNICAL FEATURES*

GAS	OUTLET PRESSURE (Depending on the gas)	CAPACITY (Depending on the gas)	WORKING TEMPERATURE	INLET CONNECTIONS (pag. D02)	OUTLET CONNECTIONS (pag. D06-D07)
Butane/Propane	30 mbar	1,5 Kg/h	-20 ÷ +50 °C	TABLE E: E04	TABLE G: G04
					TABLE H: H07

* Note: The table shows all the variants of the configurations/technical features available for this type of regulator.
Homologation in compliance with a standard / country will relate to a specific combination of connections, technical features and performance criteria.

Low Pressure Double Stage Automatic Changeover Regulator Type 528C

Part 2
REGULATORS FOR
CAMPING AND CARAVAN



DOUBLE STAGE LOW PRESSURE



PRODUCT DESCRIPTION

The type 528C is manufactured in compliance with the standard requirements of UL 144 and NFPA 1192 for use with recreational vehicles.

The double stage automatic changeover regulator, type 528C, is a combination consisting of an automatic changeover working as a 1st stage coupled to a 2nd stage regulator. The automatic changeover (1st stage regulator) reduces the pressure at the outlet from the cylinder to a value of 10 PSI max; The 2nd stage regulator reduces further the gas pressure to the utilization pressure value of 11" wc. The automatic changeover ensures continuous gas flow, automatically changing the gas withdrawal from the exhausted "service" cylinder to the full "reserve" one. The full-empty indicator assembled into the changeover handle indicates the exhaustion status of the "service" cylinder. The indicator colour changes from green to red, when the "service" cylinder is exhausted. The rotation of the automatic changeover handle to the full "reserve" cylinder restores the green colour on the indicator. See diagram schematic: L-04 (page C16) for installation system.

SAFETY DEVICES

Protection device in case of overpressure

The overpressure value (2 PSI), which is accepted by the UL Standard 144, in case of working problems or anomalies, is controlled by a safety device consisting of a flow limiter working together with a safety valve. This device keeps the overpressure value widely lower than the value expected by the standard without releasing, high quantities of propane gas into the atmosphere through the vent hole.

Protection device in case of an excess flow

The device "excess flow" assembled into the regulator operates (at 140% of the guaranteed flow rate) by limiting the gas flow to (50.000 BTU max) in the event of a sudden increase in the desired flow, as in the case of hose rupture or accidental disconnection from the outlet of the regulator while in use.

Non-return valves

The type 528C is equipped with non-return valves assembled into the inlet fittings, the device limits the amount of gas escaping from the end of the disconnected hose during cylinder replacement.

ACCESSORIES*

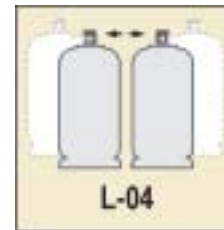
Mounting bracket

On request, it is possible to supply a mounting bracket for the correct position on every surface of the regulator Type 528C.

Protection Cover

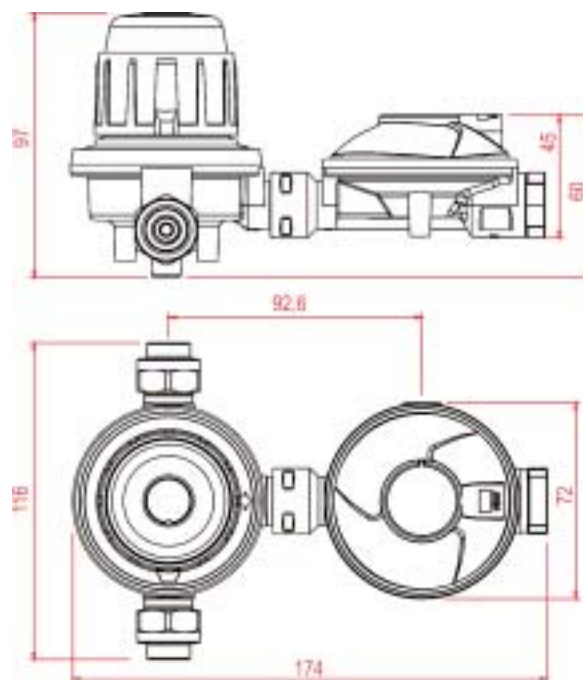
For the outside installation of the Type 528C a special protection cover to guard against rain is a necessity.

INSTALLATIONS



Pag. C16

DIMENSIONS



HOMOLOGATIONS

- Homol. UL (U.S.A.)

MATERIALS

- Body (1st and 2nd stage): Die Cast Zinc/Painted
 - Spring: Steel protected
 - Diaphragms (1st and 2nd stage): Approved NBR (Fabric reinforced)

TECHNICAL FEATURES*

GAS	OUTLET PRESSURE (Depending on the gas)	CAPACITY (Depending on the gas)	WORKING TEMPERATURE	INLET CONNECTIONS (pag. D04)	OUTLET CONNECTIONS (pag. D06)
Propane	29 mbar (11" w.c.)	3 Kg/h (160.000 BTU)	-20 ÷ +50 °C	TABLE D: D11	TABLE G: G03

* Note: The table shows all the variants of the configurations/technical features available for this type of regulator.

Homologation in compliance with a standard / country will relate to a specific combination of connections, technical features and performance criteria.

Low Pressure Double Stage Regulator Type 524C

Part 2
REGULATORS FOR
CAMPING AND CARAVAN



DOUBLE STAGE LOW PRESSURE



PRODUCT DESCRIPTION

The double stage regulator type 524C is manufactured in compliance with the standard requirements of UL 144 and NFPA 1192 for use with recreational vehicles. The double stage regulator, type 524C, is a combination consisting of a 1st stage high pressure regulator and of a 2nd stage low pressure regulator.

The 1st stage regulator reduces the pressure at the outlet from the cylinder to a value of 10 PSI max; then, the 2nd stage regulator reduces further the gas pressure to the utilization pressure value of 11" wc. See diagram schematic: L-03 and L-05 (page C16) for installation system.

SAFETY DEVICES

Protection device in case of overpressure

The overpressure value (2 PSI), which is accepted by the UL Standard 144, in case of working problems or anomalies, is controlled by a safety device consisting of a flow limiter working together with a safety valve. This device keeps the overpressure value widely lower than the value expected by the standard without releasing, high quantities of propane gas into the atmosphere through the vent hole.

Protection device in case of an excess flow

The device "excess flow" assembled into the regulator operates (at 140% of the guaranteed flow rate) by limiting the gas flow to (50.000 BTU max) in the event of a sudden increase in the desired flow, as in the case of hose rupture or accidental disconnection from the outlet of the regulator while in use.

ACCESSORIES

Mounting bracket

On request, it is possible to supply a mounting bracket for the correct position on every surface of the regulator Type 524C.

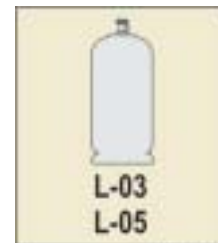
Protection Cover

For the outside installation of the Type 524C a special protection cover to guard against rain is a necessity.

HOMOLOGATIONS*

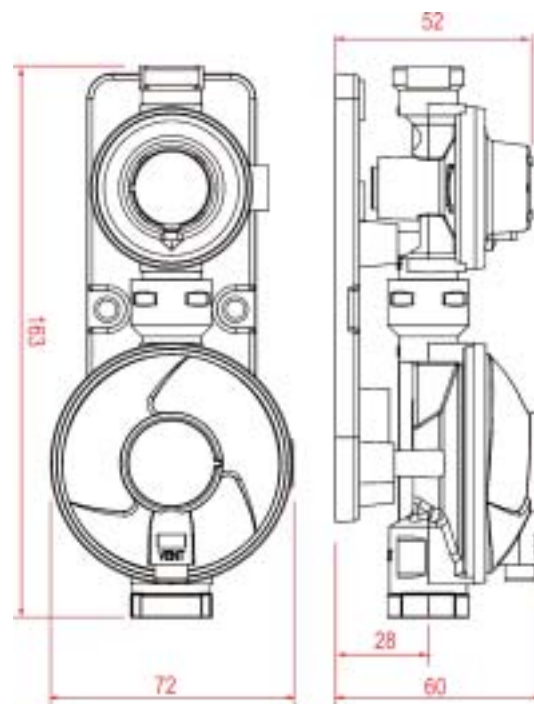
- Homol. UL (U.S.A.)

INSTALLATIONS



Pag. C16

DIMENSIONS



MATERIALS

- Body (1st and 2nd stage): Die Cast Zinc/Painted
- Spring: Steel protected
- Diaphragms (1st and 2nd stage): Approved NBR(Fabric reinforced)

TECHNICAL FEATURES*

GAS	OUTLET PRESSURE (Depending on the gas)	CAPACITY (Depending on the gas)	WORKING TEMPERATURE	INLET CONNECTIONS (pag. D04)	OUTLET CONNECTIONS (pag. D06)
Propane	29 mbar (11" w.c.)	1 Kg/h (55.000 BTU)	-20 ÷ +50 °C	TABLE D: D01	TABLE G: G03

* Note: The table shows all the variants of the configurations/technical features available for this type of regulator. Homologation in compliance with a standard / country will relate to a specific combination of connections, technical features and performance criteria.



CAVAGNA group
Advanced Solutions for Gas Control

LPG & NATURAL GAS REGULATORS DIVISION

Part 3



REGULATORS FOR INDUSTRIAL AND D.I.Y. USE

10 Positions Adjustable Medium Pressure Single Stage Regulator Type 715

Part 3
REGULATORS FOR
INDUSTRIAL AND
D.I.Y. USE



SINGLE STAGE MEDIUM PRESSURE



PRODUCT DESCRIPTION

The Type 715 is a single-stage medium-pressure regulator, with 10 adjustment positions and a threaded inlet connection for direct connection to a cylinder valve.

The Type 715 is constructed to control the prevailing cylinder pressure reducing it directly down to the service appliance pressure.

Gas regulation is possible by rotating the handle fitted on top of this regulator.

The position number one relates to the minimum outlet pressure value, while the position number 10 relates to the maximum outlet pressure.

See diagram schematic: S-01 (page C17) for installation system.

MATERIALS

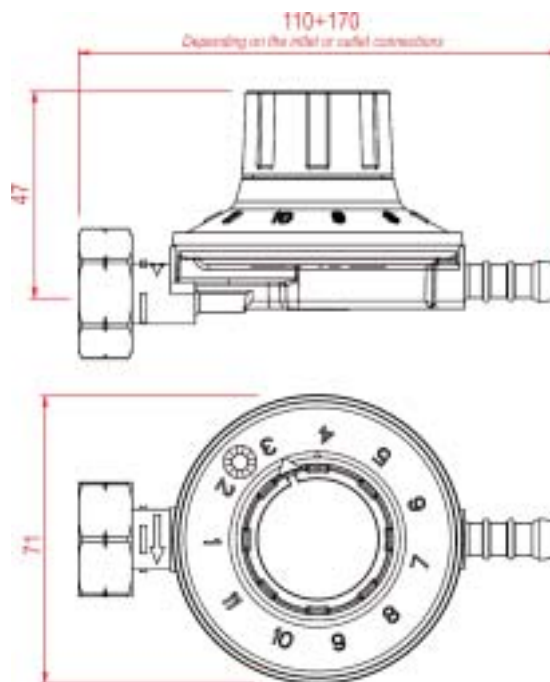
- Body : Die Cast Zinc/Painted
- Spring: : Steel
- Diaphragms : Approved NBR

INSTALLATIONS



Pag. C17

DIMENSIONS



TECHNICAL FEATURES*

GAS	OUTLET PRESSURE <i>(Depending on the gas)</i>	CAPACITY <i>(Depending on the gas)</i>	WORKING TEMPERATURE	INLET CONNECTIONS <i>(pag. D01-D02-D04)</i>	OUTLET CONNECTIONS <i>(pag. D05-D07)</i>
Propane Butane/Propane	25÷50 mbar	1 - 2 Kg/h	-20 ÷ +50 °C	TABLE A: A07 - A11 - A13 - A29 - A30	TABLE F: F04
	50÷150 mbar				TABLE H: H02

* Note: The table shows all the variants of the configurations/technical features available for this type of regulator.
Homologation in compliance with a standard / country will relate to a specific combination of connections, technical features and performance criteria.

Medium Pressure Single Stage Regulator Type 713L

Part 3
REGULATORS FOR
INDUSTRIAL AND
D.I.Y. USE



SINGLE STAGE MEDIUM PRESSURE



PRODUCT DESCRIPTION

The Type 713L is a non-adjustable single-stage medium-pressure regulator with a threaded inlet connection for direct connection to a cylinder valve. The Type 713L is constructed to control the prevailing cylinder pressure reducing it directly down to the service appliance pressure.

See diagram schematic: S-01 (page C17) for installation system.

SAFETY DEVICES

Excess flow

The device "excess flow" assembled into the regulator operates by limiting the gas flow in the event of a sudden increase in the desired flow, as in the case of hose rupture or accidental disconnection from the outlet of the regulator while in use. After actuation of the "excess flow device" and removal of any failures, the safety device must first be reset by hand pushing the reset button, to restore the correct operation of the regulator.

HOMOLOGATIONS*

- Homol. DVGW (German)

MATERIALS

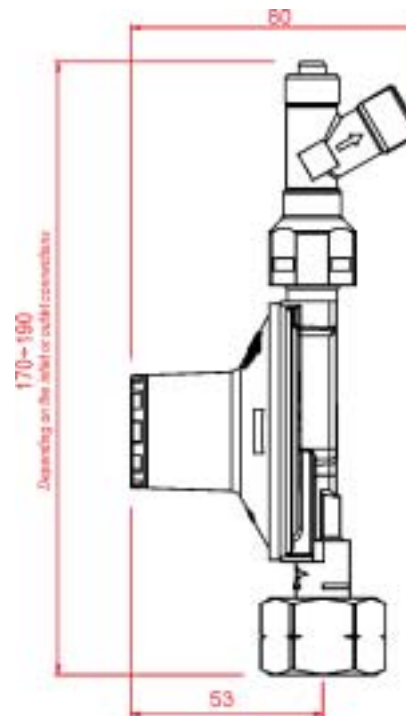
- Body : Die Cast Zinc/Painted
- Spring : Steel
- Diaphragms : Approved NBR

INSTALLATIONS



Pag. C17

DIMENSIONS



TECHNICAL FEATURES*

GAS	OUTLET PRESSURE (Depending on the gas)	CAPACITY (Depending on the gas)	WORKING TEMPERATURE	INLET CONNECTIONS (pag. D01-D02-D04)	OUTLET CONNECTIONS (pag. D07)
Butane/Propane	300 mbar 500 mbar	3 Kg/h	-20 ÷ +50 °C	TABLE A: A02 - A04 - A05 - A07 A08 - A20 - A29	TABLE H: H04
				TABLE D: D02	

* Note: The table shows all the variants of the configurations/technical features available for this type of regulator.

Homologation in compliance with a standard / country will relate to a specific combination of connections, technical features and performance criteria.

Adjustable Medium Pressure Single Stage Regulator Type 752B1

Part 3
REGULATORS FOR
INDUSTRIAL AND
D.I.Y. USE



SINGLE STAGE MEDIUM PRESSURE



PRODUCT DESCRIPTION

The Type 752B1 is an adjustable single-stage medium-pressure regulator, with a threaded inlet connection for direct connection to a cylinder valve.

The Type 752B1 is constructed to control the prevailing cylinder pressure reducing it directly down to the service appliance pressure. Gas regulation is possible by rotating the handle fitted on top of this regulator.

See diagram schematic: S-01 (page C17) for installation system.

ACCESSORIES

On Request The Type 752B1 can be equipped with a gauge for outlet pressure checking.

MATERIALS

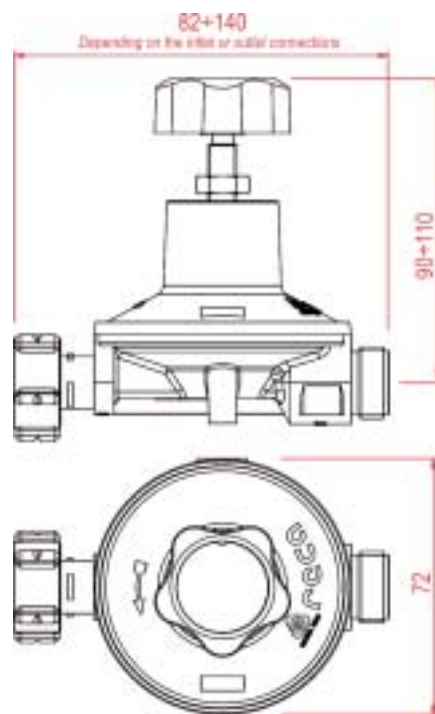
- Body : Die Cast Zinc/Painted
- Spring : Steel
- Diaphragms : Approved NBR

INSTALLATIONS



Pag. C17

DIMENSIONS



TECHNICAL FEATURES*

GAS	OUTLET PRESSURE (Depending on the gas)	CAPACITY (Depending on the gas)	WORKING TEMPERATURE	INLET CONNECTIONS (pag. D01-D02-D04)	OUTLET CONNECTIONS (pag. D05-D06-D07)
Butane/Propane	50÷150 mbar 50÷200 mbar 200÷500 mbar	4 Kg/h	-20 ÷ +50 °C	TABLE A: A11 - A26	TABLE F: F04
				TABLE D: D02	TABLE G: G04
					TABLE H: H02

* Note: The table shows all the variants of the configurations/technical features available for this type of regulator. Homologation in compliance with a standard / country will relate to a specific combination of connections, technical features and performance criteria.

10 Positions Adjustable Medium Pressure Single Stage Regulator Type 755B1

Part 3
REGULATORS FOR
INDUSTRIAL AND
D.I.Y. USE



SINGLE STAGE MEDIUM PRESSURE



PRODUCT DESCRIPTION

The Type 755B1 is a single-stage, medium-pressure regulator, with 10 adjustment positions and a threaded inlet connection for direct connection to a cylinder valve.

The Type 755B1 is constructed to control the prevailing cylinder pressure reducing it directly down to the service appliance pressure. Gas regulation is possible by rotating the handle fitted on top of this regulator.

The position number one relates to the minimum outlet pressure value, while the position number 10 relates to the maximum outlet pressure.

See diagram schematic: S-01 (page C17) for installation system.

MATERIALS

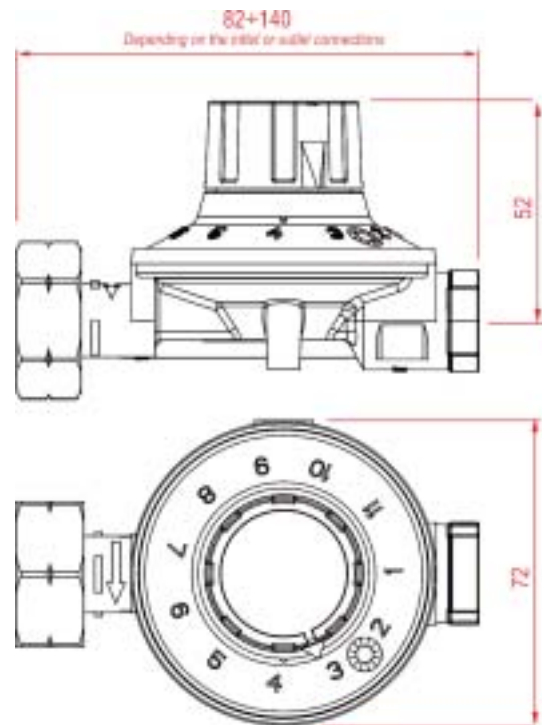
- Body : Die Cast Zinc/Painted
- Spring: : Steel
- Diaphragms : Approved NBR

INSTALLATIONS



Pag. C17

DIMENSIONS



TECHNICAL FEATURES*

GAS	OUTLET PRESSURE (Depending on the gas)	CAPACITY (Depending on the gas)	WORKING TEMPERATURE	INLET CONNECTIONS (pag. D01-D02-D04)	OUTLET CONNECTIONS (pag. D06-D07)
Butane/Propane	25÷50 mbar 50÷150 mbar	1 - 2 Kg/h	-20 ÷ +50 °C	TABLE A: A11 - A20 - A29	TABLE G: G04
				TABLE D: D02	TABLE H: H07

* Note: The table shows all the variants of the configurations/technical features available for this type of regulator.

Homologation in compliance with a standard / country will relate to a specific combination of connections, technical features and performance criteria.

Adjustable Medium Pressure Single Stage Regulator Type 732B1

Part 3
REGULATORS FOR
INDUSTRIAL AND
D.I.Y. USE



SINGLE STAGE MEDIUM PRESSURE



PRODUCT DESCRIPTION

The Type 732B1 is an adjustable single-stage medium-pressure regulator, with a threaded inlet connection for direct connection to a cylinder valve.

The Type 732B1 is constructed to control the prevailing cylinder pressure reducing it directly down to the service appliance pressure. Gas regulation is possible by rotating the handle fitted on top of this regulator.

See diagram schematic: S-01 (page C17) for installation system.

ACCESSORIES

On Request The Type 732B1 can be equipped with a gauge for outlet pressure checking.

MATERIALS

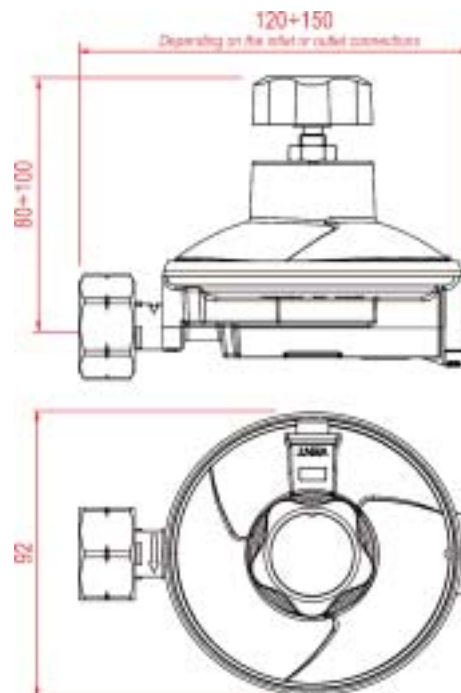
- Body : Die Cast Zinc/Painted
- Spring : Steel
- Diaphragms : Approved NBR

INSTALLATIONS



Pag. C17

DIMENSIONS



TECHNICAL FEATURES*

GAS	OUTLET PRESSURE <i>(Depending on the gas)</i>	CAPACITY <i>(Depending on the gas)</i>	WORKING TEMPERATURE	INLET CONNECTIONS <i>(pag. D01-D02-D04)</i>	OUTLET CONNECTIONS <i>(pag. D06-D07)</i>
Butane/Propane	50÷150 mbar	4 Kg/h	-20 ÷ +50 °C	TABLE A: A01 - A02 - A11	TABLE G: G04
	50÷200 mbar 200÷500 mbar			TABLE D: D02	TABLE H: H05- H07

* Note: The table shows all the variants of the configurations/technical features available for this type of regulator.
Homologation in compliance with a standard / country will relate to a specific combination of connections, technical features and performance criteria.

Adjustable High Pressure Single Stage Regulator Type 912

Part 3
REGULATORS FOR
INDUSTRIAL AND
D.I.Y. USE



SINGLE STAGE HIGH PRESSURE



PRODUCT DESCRIPTION

The Type 912 is an adjustable single-stage high-pressure regulator, with a threaded inlet connection for direct connection to a cylinder valve.

The Type 912 is constructed to control the prevailing cylinder pressure reducing it directly down to the service appliance pressure.

Gas regulation is possible by rotating the handle fitted on top of this regulator.

See diagram schematic: S-01 (page C17) for installation system.

HOMOLOGATIONS*

- Homol. UL (U.S.A.)

ACCESSORIES

On Request The Type 912 can be equipped with a gauge for outlet pressure checking.

MATERIALS

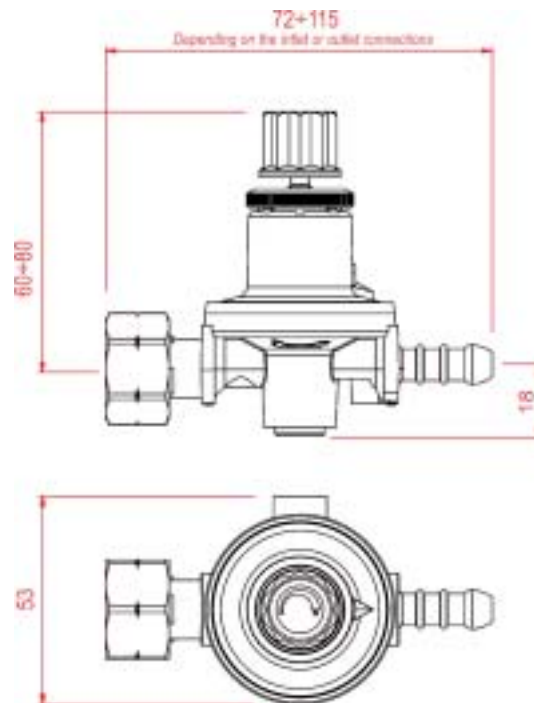
- Body : Die Cast Zinc/Painted
- Spring : Steel
- Diaphragms : Approved NBR

INSTALLATIONS



Pag. C17

DIMENSIONS



TECHNICAL FEATURES*

GAS	OUTLET PRESSURE (Depending on the gas)	CAPACITY (Depending on the gas)	WORKING TEMPERATURE	INLET CONNECTIONS (pag. D01-D02-D04)	OUTLET CONNECTIONS (pag. D05-D06-D07)
Propane Butane/Propane	0÷3 mbar	6 - 8 - 10 Kg/h	-20 ÷ +50 °C	TABLE A: A01 - A04 - A11 - A20 A24 - A26 - A29 -	TABLE F: F04 - F09
	0÷4 mbar 200÷500 mbar				TABLE G: G02
				TABLE D: D02	TABLE H: H04 - H07 - H08

* Note: The table shows all the variants of the configurations/technical features available for this type of regulator.

Homologation in compliance with a standard / country will relate to a specific combination of connections, technical features and performance criteria.

High Pressure Single Stage Regulator with Graduated Scale Type 912S

Part 3
REGULATORS FOR
INDUSTRIAL AND
D.I.Y. USE



SINGLE STAGE HIGH PRESSURE



PRODUCT DESCRIPTION

The Type 912S is an adjustable single-stage, high-pressure regulator, with graduated scale and a threaded inlet connection for direct connection to a cylinder valve.

The Type 912S is constructed to control the prevailing cylinder pressure reducing it directly down to the service appliance pressure.

Gas regulation is possible by rotating the handle fitted on top of this regulator. It is possible to read the value of the adjusted pressure on the graduated scale under the handle.

See diagram schematic: S-01 (page C17) for installation system.

ACCESSORIES

On Request The Type 912S can be equipped with a gauge for outlet pressure checking.

HOMOLOGATIONS*

- Homol. UL (U.S.A.)
- Homol. DVGW (German)

MATERIALS

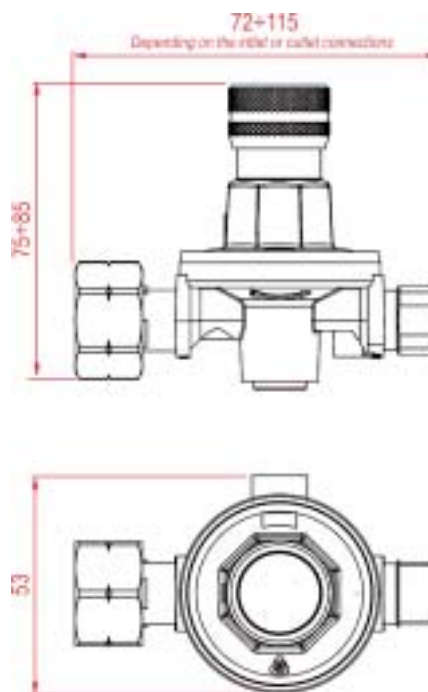
- Body : Die Cast Zinc/Painted
- Spring: : Steel
- Diaphragms : Approved NBR

INSTALLATIONS



Pag. C17

DIMENSIONS



TECHNICAL FEATURES*

GAS	OUTLET PRESSURE (Depending on the gas)	CAPACITY (Depending on the gas)	WORKING TEMPERATURE	INLET CONNECTIONS (pag. D01-D02-D04)	OUTLET CONNECTIONS (pag. D05-D06-D07)
Propane Butane/Propane	1±4 mbar	10 - 14 ,Kg/h	-20 ÷ +50 °C	TABLE A: A03 - A05 - A07 A08 - A20 - A26	TABLE G: G01 - G02
				TABLE D: D01 - D02	TABLE H: H04

* Note: The table shows all the variants of the configurations/technical features available for this type of regulator.
Homologation in compliance with a standard / country will relate to a specific combination of connections, technical features and performance criteria.

High Pressure Single Stage Regulator with Graduated Scale Type 912L

Part 3
REGULATORS FOR
INDUSTRIAL AND
D.I.Y. USE



SINGLE STAGE HIGH PRESSURE



PRODUCT DESCRIPTION

The Type 912L is adjustable single-stage, high-pressure regulator, with graduated scale and a threaded inlet connection for direct connection to a cylinder valve. The Type 912L is constructed to control the prevailing cylinder pressure reducing it directly down to the service appliance pressure. Gas regulation is possible by rotating the handle fitted on top of this regulator. It is possible to read the value of the adjusted pressure on the graduated scale under the handle.

See diagram schematic: S-01 (page C17) for installation system.

SAFETY DEVICES

Excess flow

The device "excess flow" assembled into the regulator operates by limiting the gas flow in the event of a sudden increase in the desired flow, as in the case of hose rupture or accidental disconnection from the outlet of the regulator while in use. After actuation of the "excess flow device" and removal of any failures, the safety device must first be reset by hand pushing the reset button, to restore the correct operation of the regulator.

ACCESSORIES

On Request The Type 912L can be equipped with a gauge for outlet pressure checking.

HOMOLOGATIONS*

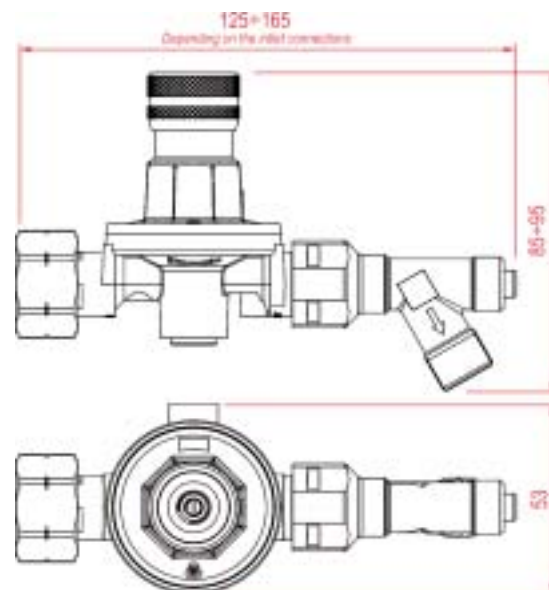
- Homol. DVGW (German)

INSTALLATIONS



Pag. C17

DIMENSIONS



MATERIALS

- Body : Die Cast Zinc/Painted
- Spring: : Steel
- Diaphragms : Approved NBR

TECHNICAL FEATURES*

GAS	OUTLET PRESSURE (Depending on the gas)	CAPACITY (Depending on the gas)	WORKING TEMPERATURE	INLET CONNECTIONS (pag. D01-D02-D04)	OUTLET CONNECTIONS (pag. D07)
Propane Butane/Propane	1÷4 mbar	6 - 10 Kg/h	-20 ÷ +50 °C	TABLE A: A03 - A05 - A07 A08 - A20 - A26	TABLE H: H04
				TABLE D: D02	

* Note: The table shows all the variants of the configurations/technical features available for this type of regulator.

Homologation in compliance with a standard / country will relate to a specific combination of connections, technical features and performance criteria.

High Pressure Single Stage Regulator Type 914B1

Part 3
REGULATORS FOR
INDUSTRIAL AND
D.I.Y. USE



SINGLE STAGE HIGH PRESSURE



PRODUCT DESCRIPTION

The Type 914B1 is a single-stage high-pressure regulator, with a threaded inlet connection for direct connection to a cylinder valve. The Type 914B1 is constructed to control the prevailing cylinder pressure reducing it directly down to the service appliance pressure. See diagram schematic: S-01 (page C17) for installation system.

HOMOLOGATIONS*

- Homol. DVGW (German)

MATERIALS

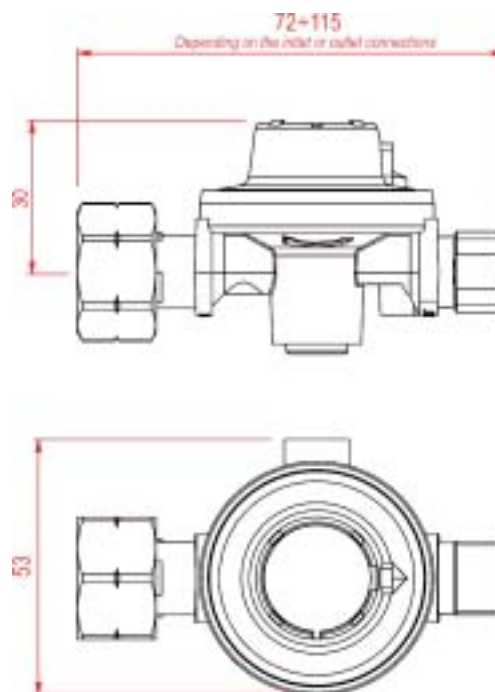
- Body : Die Cast Zinc/Painted
- Spring: : Steel
- Diaphragms : Approved NBR

INSTALLATIONS



Pag. C17

DIMENSIONS



TECHNICAL FEATURES*

GAS	OUTLET PRESSURE (Depending on the gas)	CAPACITY (Depending on the gas)	WORKING TEMPERATURE	INLET CONNECTIONS (pag. D01-D02-D04)	OUTLET CONNECTIONS (pag. D06-D07)
Propane Butane/Propane	1 - 1,5 - 2 - 2.5 - 4 bar	8 - 14 Kg/h	-20 ÷ +50 °C	TABLE A: A01 - A02 - A05 - A07 A08 - A11 - A17 - A20	TABLE G: G02
				TABLE D: D01 - D02	TABLE H: H02 - H07

* Note: The table shows all the variants of the configurations/technical features available for this type of regulator. Homologation in compliance with a standard / country will relate to a specific combination of connections, technical features and performance criteria.

High Pressure Single Stage Regulator Type 914L

Part 3
REGULATORS FOR
INDUSTRIAL AND
D.I.Y. USE



**SINGLE STAGE
HIGH PRESSURE**

PRODUCT DESCRIPTION

The Type 914L is a single-stage, high-pressure regulator, with a threaded inlet connection for direct connection to a cylinder valve. The Type 914L is constructed to control the prevailing cylinder pressure reducing it directly down to the service appliance pressure. See diagram schematic: S-01 (page C17) for installation system.

SAFETY DEVICES

Excess flow

The device "excess flow" assembled into the regulator operates by limiting the gas flow in the event of a sudden increase in the desired flow, as in the case of hose rupture or accidental disconnection from the outlet of the regulator while in use. After actuation of the "excess flow device" and removal of any failures, the safety device must first be reset by hand pushing the reset button, to restore the correct operation of the regulator.

ACCESSORIES

On Request The Type 914L can be equipped with a gauge for outlet pressure checking.

HOMOLOGATIONS*

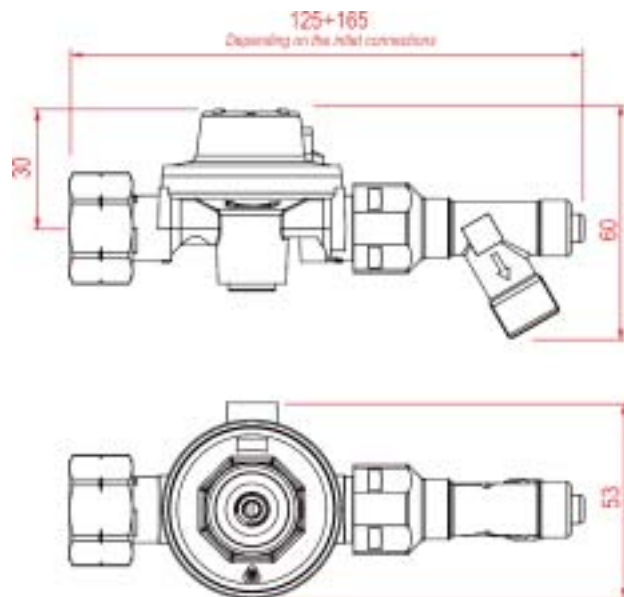
- Homol. DVGW (German)

INSTALLATIONS



Pag. C17

DIMENSIONS



MATERIALS

- Body : Die Cast Zinc/Painted
- Spring: : Steel
- Diaphragms : Approved NBR

TECHNICAL FEATURES*

GAS	OUTLET PRESSURE (Depending on the gas)	CAPACITY (Depending on the gas)	WORKING TEMPERATURE	INLET CONNECTIONS (pag. D01-D02-D04)	OUTLET CONNECTIONS (pag. D07)
Propane Butane/Propane	1 - 1,5 - 2 - 2.5 - 4 bar	6 - 8 - 14 Kg/h	-20 ÷ +50 °C	TABLE A: A01 - A02 - A05 - A07 A08 - A11 - A17 - A20	TABLE H: H04
				TABLE D: D02	

* Note: The table shows all the variants of the configurations/technical features available for this type of regulator.

Homologation in compliance with a standard / country will relate to a specific combination of connections, technical features and performance criteria.

10 Positions Adjustable High Pressure Single Stage Regulator Type 915

Part 3
REGULATORS FOR
INDUSTRIAL AND
D.I.Y. USE



SINGLE STAGE
HIGH PRESSURE



PRODUCT DESCRIPTION

The Type 915 is a single-stage, high-pressure regulator, with 10 adjustment positions and a threaded inlet connection for direct connection to a cylinder valve.

The Type 915 is constructed to control the prevailing cylinder pressure reducing it directly down to the service appliance pressure.

Gas regulation is possible by rotating the handle fitted on top of this regulator.

The position number one relates to the minimum outlet pressure value, while the position number 10 relates to the maximum outlet pressure.

See diagram schematic: S-01 (page C17) for installation system.

MATERIALS

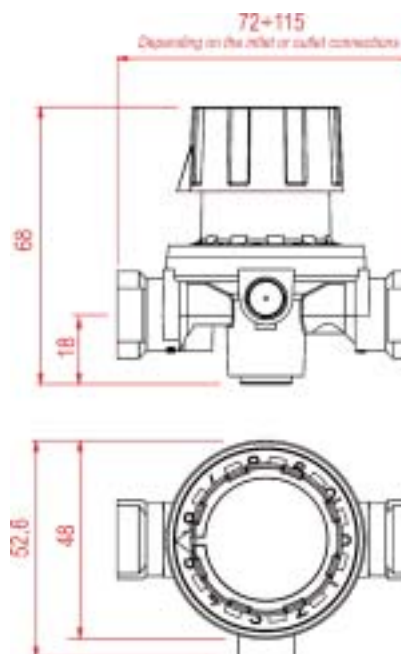
- Body : Die Cast Zinc/Painted
- Spring: : Steel
- Diaphragms : Approved NBR

INSTALLATIONS



Pag. C17

DIMENSIONS



TECHNICAL FEATURES*

GAS	OUTLET PRESSURE <i>(Depending on the gas)</i>	CAPACITY <i>(Depending on the gas)</i>	WORKING TEMPERATURE	INLET CONNECTIONS <i>(pag. D01-D02-D04)</i>	OUTLET CONNECTIONS <i>(pag. D06-D07)</i>
Propane Butane/Propane	0,5±1 mbar 0,5±1,5 mbar 0,5±2 mbar	4 Kg/h	-20 ÷ +50 °C	TABLE A: A11 - A20	TABLE G: G02
				TABLE D: D02	TABLE H: H04

* Note: The table shows all the variants of the configurations/technical features available for this type of regulator.
Homologation in compliance with a standard / country will relate to a specific combination of connections, technical features and performance criteria.

Adjustable High Pressure Single Stage Regulator Type 932

Part 3
REGULATORS FOR
INDUSTRIAL AND
D.I.Y. USE



SINGLE STAGE HIGH PRESSURE



PRODUCT DESCRIPTION

The Type 932 is an adjustable single-stage high-pressure regulator, with a threaded inlet connection for direct connection to a cylinder valve.

The Type 932 is constructed to control the prevailing cylinder pressure reducing it directly down to the service appliance pressure.

Gas regulation is possible by rotating the handle fitted on top of this regulator.

See diagram schematic: S-01 (page C17) for installation system.

HOMOLOGATIONS*

- Homol. DVGW (German)

ACCESSORIES

On Request The Type 932 can be equipped with a gauge for outlet pressure checking.

MATERIALS

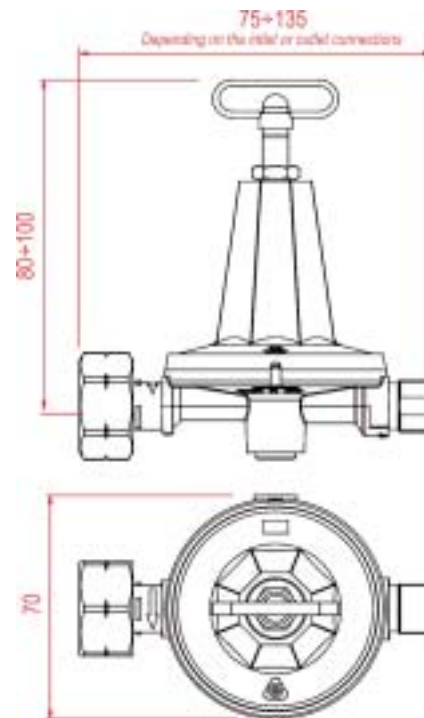
- Body : Die Cast Zinc/Painted
- Spring: : Steel
- Diaphragms : Approved NBR

INSTALLATIONS



Pag. C17

DIMENSIONS



TECHNICAL FEATURES*

GAS	OUTLET PRESSURE (Depending on the gas)	CAPACITY (Depending on the gas)	WORKING TEMPERATURE	INLET CONNECTIONS (pag. D01-D02-D04)	OUTLET CONNECTIONS (pag. D06-D07)
Propane Butane/Propane	0,5÷4 mbar	5 - 12 - 18 Kg/h	-20 ÷ +50 °C	TABLE A: A01 - A02 - A07 A08 - A11 - A20	TABLE G: G02
				TABLE D: D02	TABLE H: H04

* Note: The table shows all the variants of the configurations/technical features available for this type of regulator.

Homologation in compliance with a standard / country will relate to a specific combination of connections, technical features and performance criteria.

Adjustable High Pressure Single Stage Regulator Type 902B1

Part 3
REGULATORS FOR
INDUSTRIAL AND
D.I.Y. USE



**SINGLE STAGE
HIGH PRESSURE**



PRODUCT DESCRIPTION

The Type 902B1 is an adjustment single-stage high-pressure regulator, with a threaded inlet connection for direct connection to a cylinder valve.

The Type 902B1 is constructed to control the prevailing cylinder pressure reducing it directly down to the service appliance pressure. Gas regulation is possible by rotating the handle fitted on top of this regulator.

See diagram schematic: S-01 (page C17) for installation system.

ACCESSORIES

On Request The Type 902B1 can be equipped with a gauge for outlet pressure checking.

MATERIALS

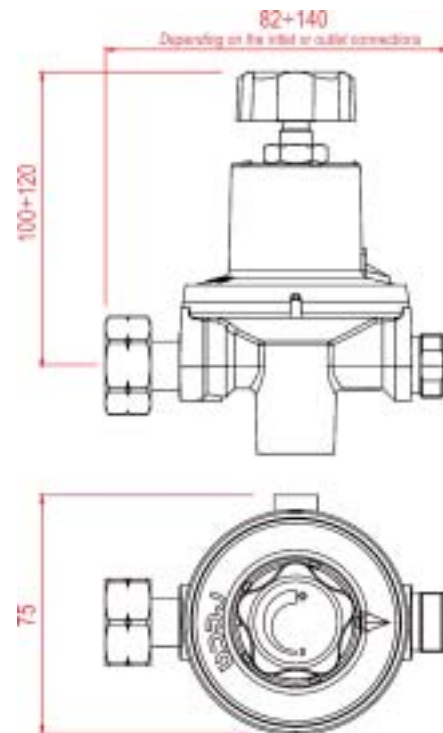
- Body : Die Cast Zinc/Painted
- Spring: : Steel
- Diaphragms : Approved NBR

INSTALLATIONS



Pag. C17

DIMENSIONS



TECHNICAL FEATURES*

GAS	OUTLET PRESSURE (Depending on the gas)	CAPACITY (Depending on the gas)	WORKING TEMPERATURE	INLET CONNECTIONS (pag. D01-D02)	OUTLET CONNECTIONS (pag. D06-D07)
Propane Butane/Propane	0÷3 bar	40 Kg/h	-20 ÷ +50 °C	TABLE A: A01 - A02 - A11 - A20 - A24	TABLE G: G04
	0÷5 bar 0,5÷2 bar				TABLE H: H07 - H09

* Note: The table shows all the variants of the configurations/technical features available for this type of regulator.
Homologation in compliance with a standard / country will relate to a specific combination of connections, technical features and performance criteria.

Adjustable High Pressure Single Stage Regulator Clip-On Type 822

Part 3
REGULATORS FOR
INDUSTRIAL AND
D.I.Y. USE



SINGLE STAGE HIGH PRESSURE



PRODUCT DESCRIPTION

Type 822 is an adjustable single-stage high-pressure regulator with a clip-on inlet connection, designed to fit automatic/self closing cylinder valves.

To fit the regulator to the gas cylinder, first position the regulator on top of the automatic valve and then click it simply by exerting some downwards pressure.

Gas opening and closing is done by turn the regulator handle.

Gas regulation is possible by rotating the handle fitted on top of this regulator.

See diagram schematic: S-01 (page C17) for installation system.

MATERIALS

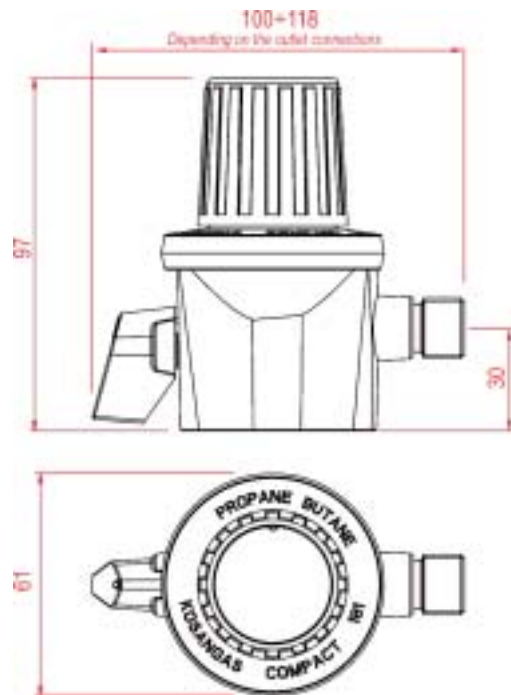
- Body : Die Cast Zinc/Painted
- Spring: : Steel
- Diaphragms : Approved NBR

INSTALLATIONS



Pag. C17

DIMENSIONS



TECHNICAL FEATURES*

GAS	OUTLET PRESSURE (Depending on the gas)	CAPACITY (Depending on the gas)	WORKING TEMPERATURE	INLET CONNECTIONS (pag. D03)	OUTLET CONNECTIONS (pag. D05-D07)
Propane Butane/Propane	0÷2 mbar	8 Kg/h	-20 ÷ +50 °C	TABLE B: B01 - B02 - B03	TABLE F: F08 TABLE H: H04

* Note: The table shows all the variants of the configurations/technical features available for this type of regulator.

Homologation in compliance with a standard / country will relate to a specific combination of connections, technical features and performance criteria.

Adjustable High Pressure Single Stage Regulator JUMBO KOSAN Type 842

Part 3
REGULATORS FOR
INDUSTRIAL AND
D.I.Y. USE



**SINGLE STAGE
HIGH PRESSURE**



PRODUCT DESCRIPTION

Type 842 is an adjustable single-stage high-pressure regulator with an inlet connection clip-on designed to fit automatic/self closing cylinder valves (35 mm of diameter) .

To fit the regulator to the gas cylinder, first position the regulator on top of the automatic valve and then click it simply by exerting some downwards pressure.

Gas regulation is possible by rotating the handle fitted on top of this regulator.

See diagram schematic: S-01 (page C17) for installation system.

MATERIALS

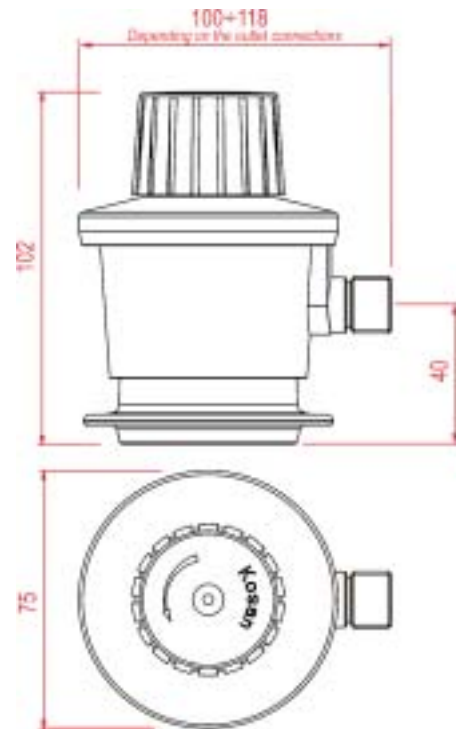
- Body : Die Cast Zinc/Painted
- Spring: : Steel
- Diaphragms : Approved NBR

INSTALLATIONS



Pag. C17

DIMENSIONS



TECHNICAL FEATURES*

GAS	OUTLET PRESSURE (Depending on the gas)	CAPACITY (Depending on the gas)	WORKING TEMPERATURE	INLET CONNECTIONS (pag. D03)	OUTLET CONNECTIONS (pag. D05-D07)
Propane Butane/Propane	0÷2 mbar	4 Kg/h	-20 ÷ +50 °C	TABLE B: B08	TABLE F: F08
					TABLE H: H04 - H11

* Note: The table shows all the variants of the configurations/technical features available for this type of regulator.
Homologation in compliance with a standard / country will relate to a specific combination of connections, technical features and performance criteria.

Adjustable High Pressure Single Stage Regulator JUMBO KOSAN Type 852

Part 3
REGULATORS FOR
INDUSTRIAL AND
D.I.Y. USE



**SINGLE STAGE
HIGH PRESSURE**



PRODUCT DESCRIPTION

Type 852 is an adjustable single-stage high-pressure regulator with an inlet connection clip-on designed to fit automatic/self closing cylinder valves (16 - 19 mm of diameter).

To fit the regulator to the gas cylinder, first position the regulator on top of the automatic valve and then click it simply by exerting some downwards pressure.

Gas regulation is possible by rotating the handle fitted on top of this regulator.

See diagram schematic: S-01 (page C17) for installation system.

MATERIALS

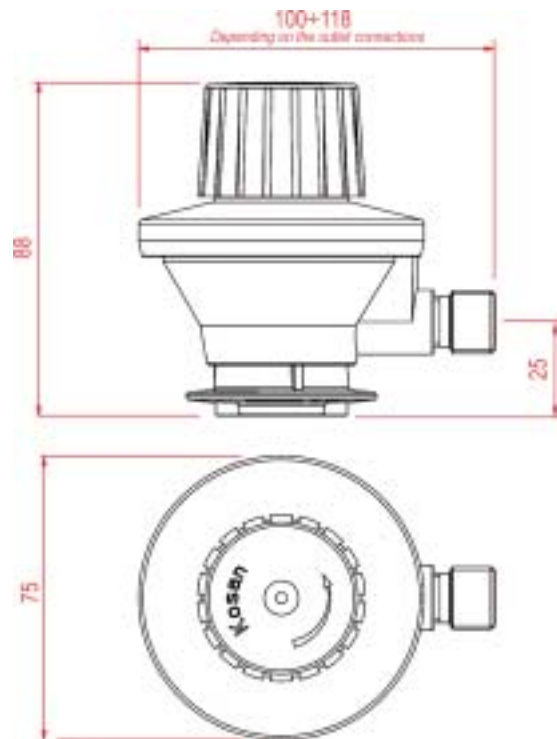
- Body : Die Cast Zinc/Painted
- Spring : Steel
- Diaphragms : Approved NBR

INSTALLATIONS



Pag. C17

DIMENSIONS



TECHNICAL FEATURES*

GAS	OUTLET PRESSURE (Depending on the gas)	CAPACITY (Depending on the gas)	WORKING TEMPERATURE	INLET CONNECTIONS (pag. D03)	OUTLET CONNECTIONS (pag. D05-D07)
Propane Butane/Propane	0÷2 mbar	4 Kg/h	-20 ÷ +50 °C	TABLE B: B06- B07	TABLE F: F08 TABLE H: H04 - H11

* Note: The table shows all the variants of the configurations/technical features available for this type of regulator.

Homologation in compliance with a standard / country will relate to a specific combination of connections, technical features and performance criteria.

Adjustable High Pressure First Stage Regulator Type 902

Part 3
REGULATORS FOR
INDUSTRIAL AND
D.I.Y. USE



**FIRST STAGE
LOW PRESSURE**



PRODUCT DESCRIPTION

The Type 902 is an adjustable first-stage high-pressure regulator, with a threaded inlet connection for direct connection to a cylinder valve. Gas regulation is possible by rotating the handle fitted on top of this regulator.

This regulator is suitable for double stage pressure regulated industrial installations. The type 902 used as a first stage regulator reduces the pressure at the outlet of the tank, in order to deliver a pressure required to the second stage regulator. Installation of Type 902 should always be completed by a second-stage regulator which further reduces the delivery pressure from the first-stage down to the operating pressure. See diagram schematic: S-02 (page C17) and S-03, S04 (page C18) for installation system.

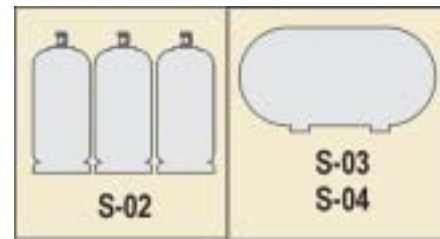
ACCESSORIES

On Request The Type 902 can be equipped with a gauge for outlet pressure checking.

MATERIALS

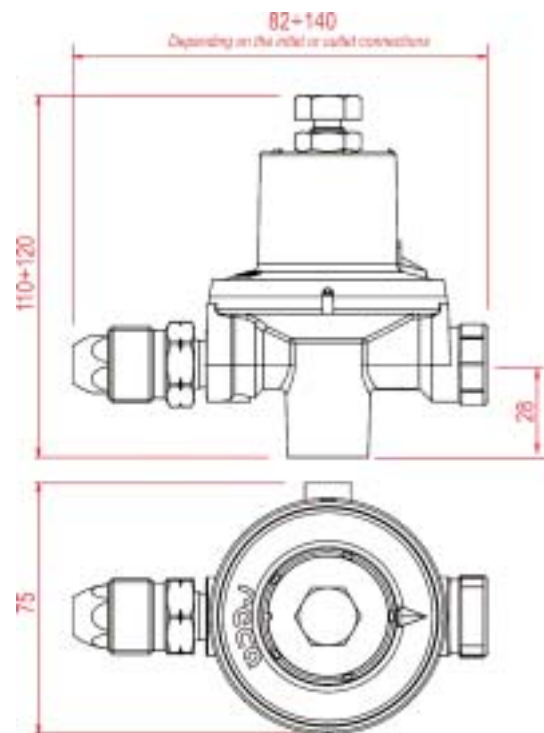
- Body : Die Cast Zinc/Painted
- Spring: : Steel
- Diaphragms : Approved NBR

INSTALLATIONS



Pag. C17-C18

DIMENSIONS



TECHNICAL FEATURES*

GAS	OUTLET PRESSURE <i>(Depending on the gas)</i>	CAPACITY <i>(Depending on the gas)</i>	WORKING TEMPERATURE	INLET CONNECTIONS <i>(pag. D01-D02-D04)</i>	OUTLET CONNECTIONS <i>(pag. D06-D07)</i>
Propane Butane/Propane	0÷3 bar	40 Kg/h	-20 ÷ +50 °C	TABLE A: A01 - A02 - A11 - A20 - A24 - A31 - A32	TABLE G: G04 - G05
	0÷5 bar 0,5÷2 bar			TABLE D: D02 - D05	TABLE H: H07 - H09

* Note: The table shows all the variants of the configurations/technical features available for this type of regulator. Homologation in compliance with a standard / country will relate to a specific combination of connections, technical features and performance criteria.

Adjustable Medium Pressure Second Stage Regulator Type 752B2

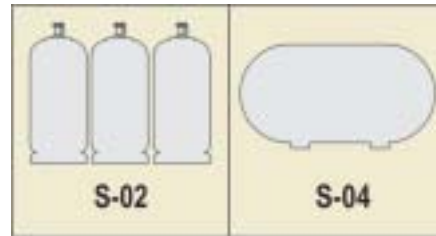
Part 3
REGULATORS FOR
INDUSTRIAL AND
D.I.Y. USE



SECOND STAGE MEDIUM PRESSURE



INSTALLATIONS



Pag. C17-C18

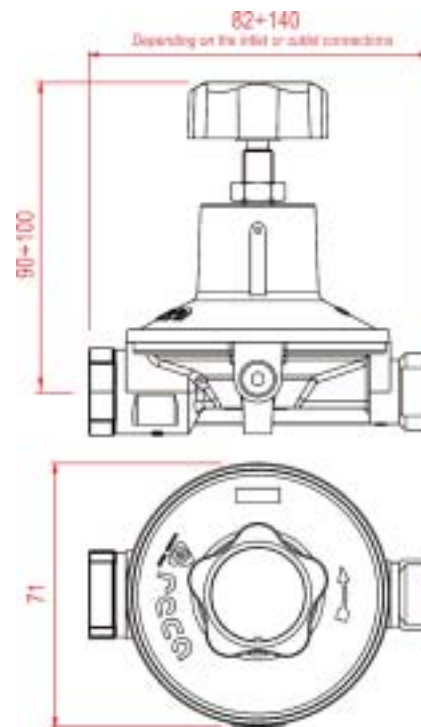
PRODUCT DESCRIPTION

The Type 752B2 is an adjustable second-stage low pressure regulator suitable to be installed in double stage pressure regulated industrial installations. This regulator cannot be used as single stage regulator, but they always have to be installed after a 1st stage regulator. The type 752B2 reduces the pressure at the outlet from the 1st stage directly to the utilization pressure of the final appliances.

Gas regulation is possible by rotating the handle fitted on top of this regulator.

See diagram schematic: S-02 (page C17) and S04 (page C18) for installation system.

DIMENSIONS



ACCESSORIES

On request, it is possible to supply a mounting bracket for the correct position on every surface of the regulator Type 752B2.

On request The Type 752B2 can be equipped with a gauge for outlet pressure checking.

MATERIALS

- Body : Die Cast Zinc/Painted
- Spring: : Steel
- Diaphragms : Approved NBR

TECHNICAL FEATURES*

GAS	OUTLET PRESSURE (Depending on the gas)	CAPACITY (Depending on the gas)	WORKING TEMPERATURE	INLET CONNECTIONS (pag. D02-D04)	OUTLET CONNECTIONS (pag. D06-D07)
Propane Butane/Propane	0÷80 mbar	4 Kg/h	-20 ÷ +50 °C	TABLE A: A31	TABLE G: G03 - G04
	0÷150 mbar			TABLE D: D01 - D02	
	0÷300 mbar			TABLE E: E04	TABLE H: H07

* Note: The table shows all the variants of the configurations/technical features available for this type of regulator.

Homologation in compliance with a standard / country will relate to a specific combination of connections, technical features and performance criteria.

10 Positions Adjustable Medium Pressure Single Stage Regulator Type 755B2

Part 3
REGULATORS FOR
INDUSTRIAL AND
D.I.Y. USE



SECOND STAGE MEDIUM PRESSURE



PRODUCT DESCRIPTION

The Type 755B2 is a second-stage, medium-pressure regulator, with 10 adjustment positions, suitable to be installed in double stage pressure regulated industrial installations.

Gas regulation is possible by rotating the handle fitted on top of this regulator.

The position number one relates to the minimum outlet pressure value, while the position number 10 relates to the maximum outlet pressure.

This regulator cannot be used as single stage regulator, but they always have to be installed after a 1st stage regulator.

See diagram schematic: S-02 (page C17) and S04 (page C18) for installation system.

ACCESSORIES

On request, it is possible to supply a mounting bracket for the correct position on every surface of the regulator Type 752B2

MATERIALS

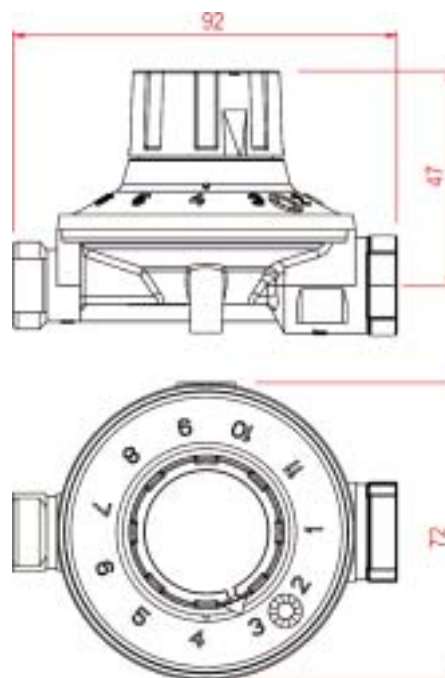
- Body : Die Cast Zinc/Painted
- Spring: : Steel
- Diaphragms : Approved NBR

INSTALLATIONS



Pag. C17-C18

DIMENSIONS



TECHNICAL FEATURES*

GAS	OUTLET PRESSURE (Depending on the gas)	CAPACITY (Depending on the gas)	WORKING TEMPERATURE	INLET CONNECTIONS (pag. D02-D04)	OUTLET CONNECTIONS (pag. D06-D07)
Propane Butane/Propane	25÷50 mbar 50÷150 mbar 50÷200 mbar	4 Kg/h	-20 ÷ +50 °C	TABLE A: A31	TABLE G: G03 - G04
				TABLE D: D01 - D02	
				TABLE E: E04	TABLE H: H07

* Note: The table shows all the variants of the configurations/technical features available for this type of regulator.
Homologation in compliance with a standard / country will relate to a specific combination of connections, technical features and performance criteria.

Adjustable Medium Pressure Second Stage Regulator Type 732B2

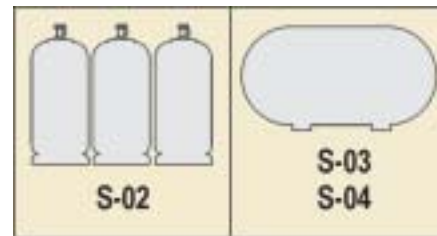
Part 3
REGULATORS FOR
INDUSTRIAL AND
D.I.Y. USE



SECOND STAGE MEDIUM PRESSURE



INSTALLATIONS



Pag. C17-C18

PRODUCT DESCRIPTION

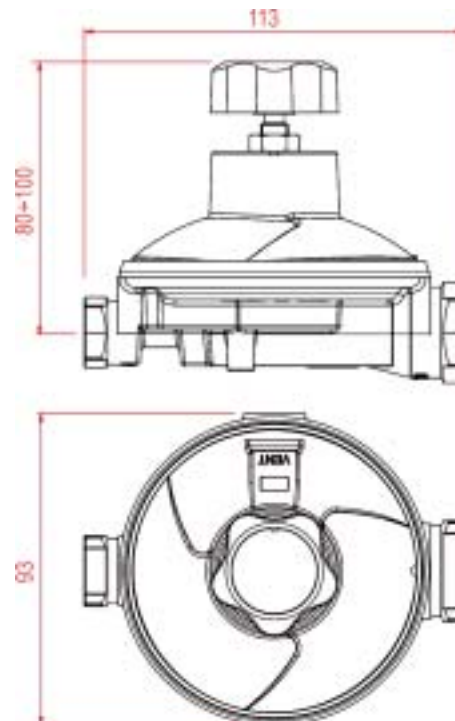
The Type 732B2 is an adjustable second-stage low pressure regulator suitable to be installed in double stage pressure regulated industrial installations.

This regulator cannot be used as single stage regulator, but they always have to be installed after a 1st stage regulator.

The type 732B2 reduces the pressure at the outlet from the 1st stage directly to the utilization pressure of the final appliances.

Gas regulation is possible by rotating the handle fitted on top of this regulator. See diagram schematic: S-02 (page C17) and S03, S04 (page C18) for installation system.

DIMENSIONS



ACCESSORIES

On request, it is possible to supply a mounting bracket for the correct position on every surface of the regulator Type 753B2.

On request The Type 753B2 can be equipped with a gauge for outlet pressure checking.

MATERIALS

- Body : Die Cast Zinc/Painted
- Spring: : Steel
- Diaphragms : Approved NBR

TECHNICAL FEATURES*

GAS	OUTLET PRESSURE (Depending on the gas)	CAPACITY (Depending on the gas)	WORKING TEMPERATURE	INLET CONNECTIONS (pag. D01-D02-D03-D04)	OUTLET CONNECTIONS (pag. D06)
Propane Butane/Propane	0÷60 mbar 0÷150 mbar	8 - 10 Kg/h	-20 ÷ +50 °C	TABLE D: D02 - D06	TABLE G: G06

* Note: The table shows all the variants of the configurations/technical features available for this type of regulator.

Homologation in compliance with a standard / country will relate to a specific combination of connections, technical features and performance criteria.

Adjustable Medium Pressure Second Stage Regulator Type 742

Part 3
REGULATORS FOR
INDUSTRIAL AND
D.I.Y. USE



SECOND STAGE MEDIUM PRESSURE



PRODUCT DESCRIPTION

The Type 742 is an adjustable second-stage low pressure regulator suitable to be installed in double stage pressure regulated industrial installations.

This regulator cannot be used as single stage regulator, but they always have to be installed after a 1st stage regulator.

The type 742 reduces the pressure at the outlet from the 1st stage directly to the utilization pressure of the final appliances.

Gas regulation is possible by rotating the handle fitted on top of this regulator. See diagram schematic: S03 (page C18) for installation system.

ACCESSORIES

On request, it is possible to supply a mounting bracket for the correct position on every surface of the regulator Type 742.

On request The Type 742 can be equipped with a gauge for outlet pressure checking.

MATERIALS

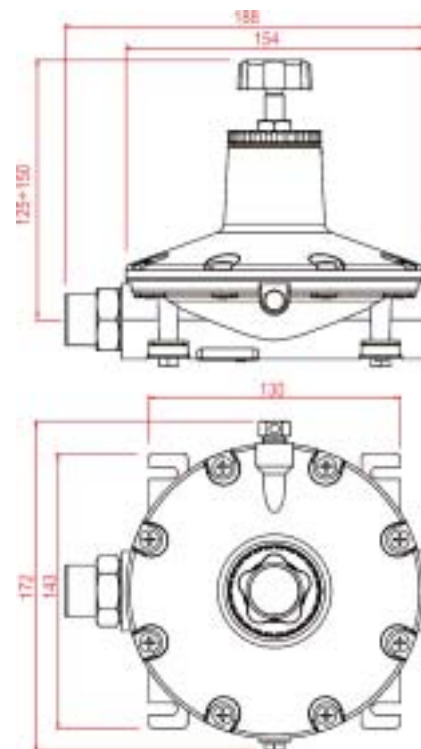
- Body : Die Cast Zinc/Painted
- Spring: : Steel
- Diaphragms : Approved NBR

INSTALLATIONS



Pag. C18

DIMENSIONS



TECHNICAL FEATURES*

GAS	OUTLET PRESSURE <i>(Depending on the gas)</i>	CAPACITY <i>(Depending on the gas)</i>	WORKING TEMPERATURE	INLET CONNECTIONS <i>(pag. D04)</i>	OUTLET CONNECTIONS <i>(pag. D06-D07)</i>
Propane Butane/Propane	0÷180 mbar	15 Kg/h	-20 ÷ +50 °C	TABLE D: D04	TABLE G: G08
	0÷300 mbar				TABLE H: H06

* Note: The table shows all the variants of the configurations/technical features available for this type of regulator.
Homologation in compliance with a standard / country will relate to a specific combination of connections, technical features and performance criteria.

Adjustable Medium Pressure Second Stage Regulator Type 762

Part 3
REGULATORS FOR
INDUSTRIAL AND
D.I.Y. USE



SECOND STAGE MEDIUM PRESSURE



PRODUCT DESCRIPTION

The Type 762 is an adjustable second-stage low pressure regulator suitable to be installed in double stage pressure regulated industrial installations.

This regulator cannot be used as single stage regulator, but they always have to be installed after a 1st stage regulator.

The type 762 reduces the pressure at the outlet from the 1st stage directly to the utilization pressure of the final appliances.

Gas regulation is possible by rotating the handle fitted on top of this regulator. See diagram schematic: S03 (page C18) for installation system.

ACCESSORIES

On request, it is possible to supply a mounting bracket for the correct position on every surface of the regulator Type 762.

On request The Type 762 can be equipped with a gauge for outlet pressure checking.

MATERIALS

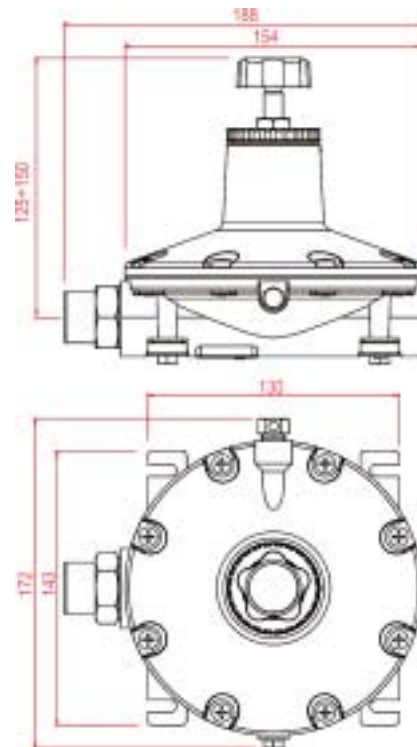
- Body : Die Cast Zinc/Painted
- Spring: : Steel
- Diaphragms : Approved NBR

INSTALLATIONS



Pag. C18

DIMENSIONS



TECHNICAL FEATURES*

GAS	OUTLET PRESSURE (Depending on the gas)	CAPACITY (Depending on the gas)	WORKING TEMPERATURE	INLET CONNECTIONS (pag. D04)	OUTLET CONNECTIONS (pag. D06-D07)
Propane Butane/Propane	0÷180 mbar	25 Kg/h	-20 ÷ +50 °C	TABLE D: D04	TABLE G: G08
	0÷300 mbar				TABLE H: H06

* Note: The table shows all the variants of the configurations/technical features available for this type of regulator.

Homologation in compliance with a standard / country will relate to a specific combination of connections, technical features and performance criteria.



CAVAGNA group
Advanced Solutions for Gas Control

LPG & NATURAL GAS REGULATORS DIVISION

Part 4



ADAPTERS

Adapters Clip-On Type 51

Part 4
ADAPTERS



PRODUCT DESCRIPTION

The Type 51 is clip-on adapter with an inlet connection designed to fit automatic/self closing cylinder valves. To fit the adapter to the gas cylinder, first position the adapter on top of the automatic valve and then click it simply by exerting some downwards pressure. Gas opening and closing is done by a 1/4 turn of the adapter handle. The adapter Type 51 can be connected to or removed from the automatic valve only if the adapter handle is in the closed position (horizontal position).

The adapter Type 51 can be used for the direct connection of industrial appliances, see installation schematics R-01 (page C19) or to adapt a regulator with threaded inlet into an automatic valve, see installation schematics R-02 (page C19).

Furthermore, the adapter Type 51 can be used in installations several cylinders, with automatic valves, enabling the connection with the automatic changeover or a manifold, see installation schematics R-03 and R-04 (page C19).

SAFETY DEVICES

Thermal safety device

All the adapter models are generally equipped with a thermal safety device (fuse) which shuts off the gas flow in case of fire in the vicinity of the adapter/gas cylinder.

MATERIALS

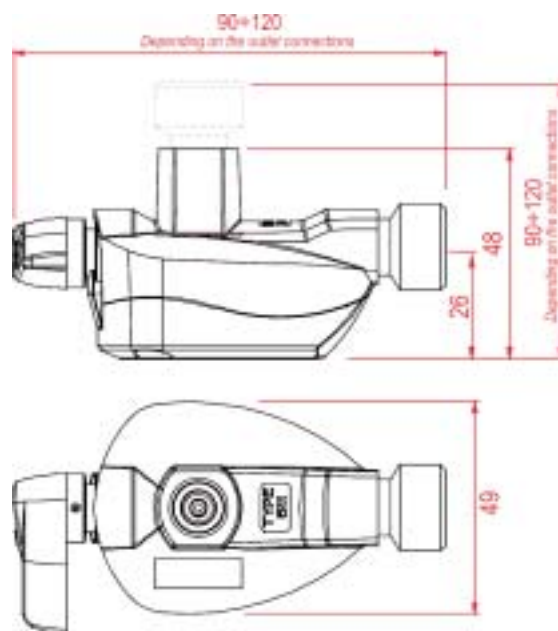
- Body : Die Cast Zinc/Painted

INSTALLATIONS



Pag. C19

DIMENSIONS



TECHNICAL FEATURES*

GAS	OUTLET PRESSURE (Depending on the gas)	CAPACITY (Depending on the gas)	WORKING TEMPERATURE	INLET CONNECTIONS (pag. D03)	OUTLET CONNECTIONS (pag. D05-D06-D07)
Butane Propane Butane/Propane	-	-	-20 ÷ +50 °C	TABLE B: B01 - B02 - B03 - B04 - B05	TABLE F: F04 - F09 TABLE G: G02 TABLE H: H01 - H02 - H04 - H09 H10 - H11 - H13 - H14

* Note: The table shows all the variants of the configurations/technical features available for this type of regulator. Homologation in compliance with a standard / country will relate to a specific combination of connections, technical features and performance criteria.

Adapters JUMBO KOSAN Type 86

Part 4
ADAPTERS



PRODUCT DESCRIPTION

The Type 51 is an clip-on adaptor with an inlet connection designed to fit automatic/self closing cylinder valves 35 mm in diameter.

Connection to the gas cylinder occurs by placing the adapter onto the automatic valve and raising the latching ring, then pressure should be exerted downwards to achieve a tight fit with the automatic valve.

Gas opening and closing is possible by rotating the handle fitted on top of this regulator.

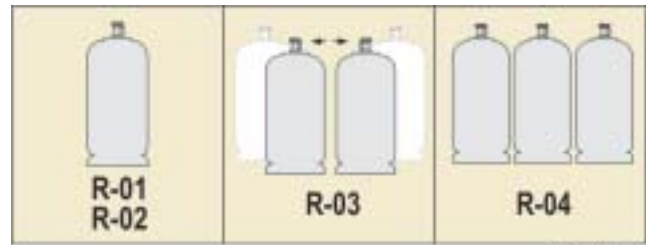
The adapter Type 86 can be used for the direct connection of industrial appliances, see installation schematics R-01 (page C19) or to adapt a regulator with threaded inlet into an automatic valve, see installation schematics R-02 (page C19).

Furthermore, the adapter Type 86 can be used in installations with several cylinders, with automatic valves, enabling the connection with the automatic changeover or a manifold, see installation schematics R-03 and R-04 (page C19).

MATERIALS

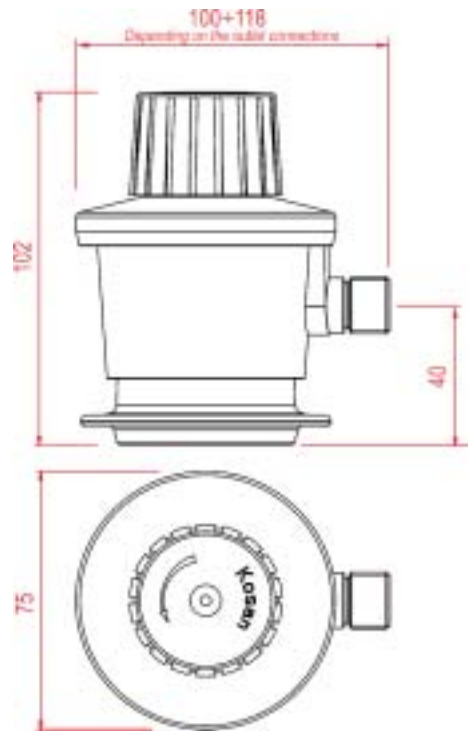
- Body : Die Cast Zinc/Painted

INSTALLATIONS



Pag. C19

DIMENSIONS



TECHNICAL FEATURES*

GAS	OUTLET PRESSURE (Depending on the gas)	CAPACITY (Depending on the gas)	WORKING TEMPERATURE	INLET CONNECTIONS (pag. D03)	OUTLET CONNECTIONS (pag. D07)
Butane Propane Butane/Propane	-	-	-20 ÷ +50 °C	TABLE B: B08	TABLE H: H02 - H04 - H11 - H13

* Note: The table shows all the variants of the configurations/technical features available for this type of regulator.

Homologation in compliance with a standard / country will relate to a specific combination of connections, technical features and performance criteria.



CAVAGNA group
Advanced Solutions for Gas Control

LPG & NATURAL GAS REGULATORS DIVISION

Part 5



PRESSURE GOVERNORS

Pressure Governor Type 96

Part 5
PRESSURE GOVERNORS



PRODUCT DESCRIPTION

The Type 96 Pressure Regulators are manufactured in order to supply the highest performance as **Gas Appliance Regulators**, in compliance with **ANSI Z21.18 CGA 6.3**.

The Type 96 pressure governors are intended for use in main burner and pilot load applications, they feature precise regulating control from full flow down to tiny pilot flows.

This model is available in fixed or adjustable outlet pressure where small adjustments can be made to the outlet pressures on installation with the appliance.

See installation schematics: N-01 (page C19).

SAFETY DEVICES

Fixed orifice

On request it is possible for the manufactured models type 96 to have a fixed orifice on the cover which limits the leakage in case of diaphragm rupture.

In addition the vent hole is supplied with 1/8" NPT thread to allow the connection to an external vent line.

HOMOLOGATIONS*

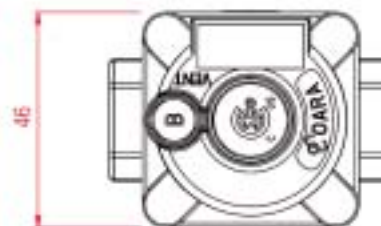
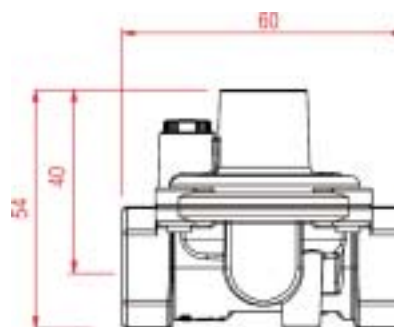
- Homol. AGA(Australian)
- Homol. CSA (Canada)

INSTALLATIONS



Pag. C19

DIMENSIONS



MATERIALS

- Body : Aluminium die casting
- Spring : Steel
- Diaphragms : Nitrile Rubber

TECHNICAL FEATURES*

GAS	INLET PRESSURE	OUTLET PRESSURE	CAPACITY RANGE	WORKING TEMPERATURE	INLET CONNECT. (pag. D04)	OUTLET CONNECT. (pag. D06)
Natural Gas Butane/Propane	1/2 PSI (34,5 mbar) 2 PSI (138 mbar)	min 2,8" w.c. (7 mbar) max 12" w.c. (30 mbar)	150÷65.000 BTU/hr	-40 ÷ +96 °C	TABLE D: D01 - D02 - D03 - D04	TABLE G: G01 - G02 - G03 - G04

* Note: The table shows all the variants of the configurations/technical features available for this type of regulator. Homologation in compliance with a standard / country will relate to a specific combination of connections, technical features and performance criteria.

Pressure Governor Type 97

Part 5
PRESSURE GOVERNORS



PRODUCT DESCRIPTION

The Type 97 Pressure Regulators are manufactured in order to supply the highest performance as **Gas Appliance Regulators**, in compliance with **ANSI Z21.18 CGA 6.3**.

The Type 97 pressure governors are intended for use in main burner and pilot load applications, they feature precise regulating control from full flow down to tiny pilot flows.

This model is available in a fixed or adjustable outlet pressure where small adjustments can be made to the outlet pressures on installation with the appliance.

See installation schematics: N-01 (page C19).

SAFETY DEVICES

Fixed orifice

On request it is possible for the manufactured models type 97 to have a fixed orifice on the cover which limits the leakage in case of diaphragm rupture.

In addition the vent hole is supplied with 1/8" NPT thread to allow the connection to an external vent line.

HOMOLOGATIONS*

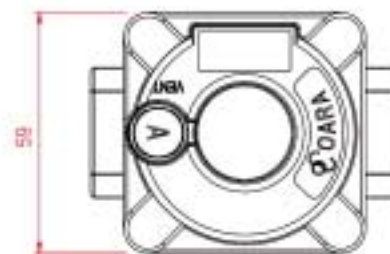
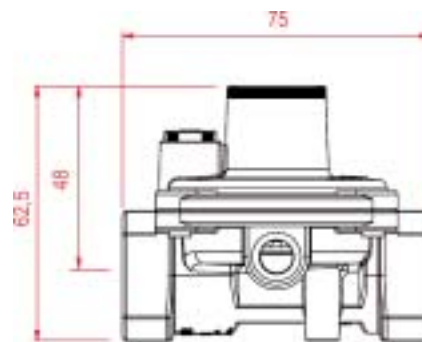
- Homol. AGA(Australian)
- Homol. CSA (Canada)

INSTALLATIONS



Pag. C19

DIMENSIONS



MATERIALS

- Body : Aluminium die casting
- Spring : Steel
- Diaphragms : Nitrile Rubber

TECHNICAL FEATURES*

GAS	INLET PRESSURE	OUTLET PRESSURE	CAPACITY RANGE	WORKING TEMPERATURE	INLET CONNECT. (pag. D04)	OUTLET CONNECT. (pag. D06)
Natural Gas Butane/Propane	1/2 PSI (34,5 mbar)	min 2,8" w.c. (7 mbar) max 12" w.c. (30 mbar)	150÷120.000 BTU/hr	-40 ÷ +96 °C	TABLE D: D03 - D04 - D05 - D06	TABLE G: G03 - G04 - G05 - G06

* Note: The table shows all the variants of the configurations/technical features available for this type of regulator.

Homologation in compliance with a standard / country will relate to a specific combination of connections, technical features and performance criteria.

Pressure Governor Type 98

Part 5
PRESSURE GOVERNORS



PRODUCT DESCRIPTION

The Type 98 Pressure Regulators are manufactured in order to supply the highest performance as **Gas Appliance Regulators**, in compliance with **ANSI Z21.18 CGA 6.3**.

The Type 98 pressure governor are intended for use in main burner and pilot load applications, they feature precise regulating control from full flow down to tiny pilot flows.

This model is available in a fixed or adjustable outlet pressure where small adjustments can be made to the outlet pressures on installation with the appliance.

See installation schematics: N-01 (page C19).

SAFETY DEVICES

Fixed orifice

On request it is possible for the manufactured models type 98 to have a fixed orifice on the cover which limits the leakage in case of diaphragm rupture.

In addition the vent hole is supplied with 1/8" NPT thread to allow the connection to an external vent line.

HOMOLOGATIONS*

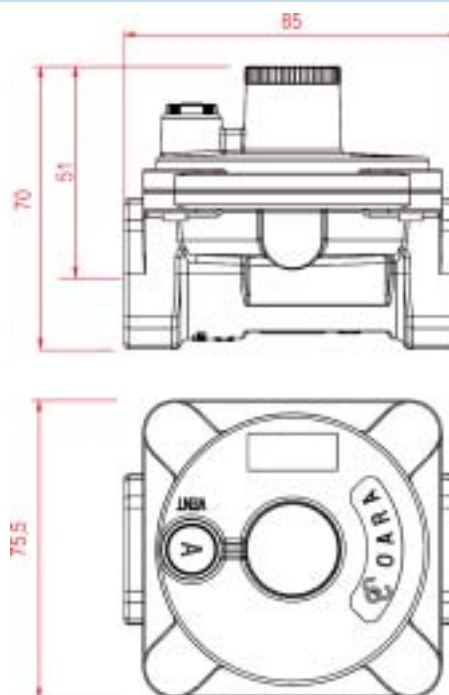
- Homol. AGA(Australian)
- Homol. CSA (Canada)

INSTALLATIONS



Pag.C19

DIMENSIONS



MATERIALS

- Body : Aluminium die casting
- Spring : Steel
- Diaphragms : Nitrile Rubber

TECHNICAL FEATURES*

GAS	INLET PRESSURE	OUTLET PRESSURE	CAPACITY RANGE	WORKING TEMPERATURE	INLET CONNECT. (pag. D04)	OUTLET CONNECT. (pag. D06)
Natural Gas Butane/Propane	1/2 PSI (34,5 mbar)	min 3,3" w.c. (8,2 mbar) max 12" w.c. (30 mbar)	150÷240.000 BTU/hr	-40 ÷ +96 °C	TABLE D: D05 - D06 - D07 - D08	TABLE G: G05 - G06 - G07 - G08

* Note: The table shows all the variants of the configurations/technical features available for this type of regulator.
Homologation in compliance with a standard / country will relate to a specific combination of connections, technical features and performance criteria.

Pressure Governor Type 90

Part 5
PRESSURE GOVERNORS



PRODUCT DESCRIPTION

The Type 90 Pressure Regulators are manufactured in order to supply the highest performance both as **Line Pressure Regulators** (in compliance with **ANSI Z21.18 CGA 6.3.**) and **Gas Appliance Regulators**, in compliance with **ANSI Z21.80 CSA 6.22.** They feature precise regulating control from full flow down to tiny pilot flow. This model is available in fixed or adjustable outlet pressures where small adjustments can be made to the outlet pressure on installation with the appliance. See installation schematics: N-02 (page C19).

SAFETY DEVICES

Fixed orifice

On request it is possible for the manufactured models type 90 to have a fixed orifice on the cover which limits the leakage in case of diaphragm rupture. In addition the vent hole is supplied with 1/8"NPT thread to allow the connection to an external vent line.

HOMOLOGATIONS*

- Homol. AGA(Australian)
- Homol. CSA (Canada)

MATERIALS

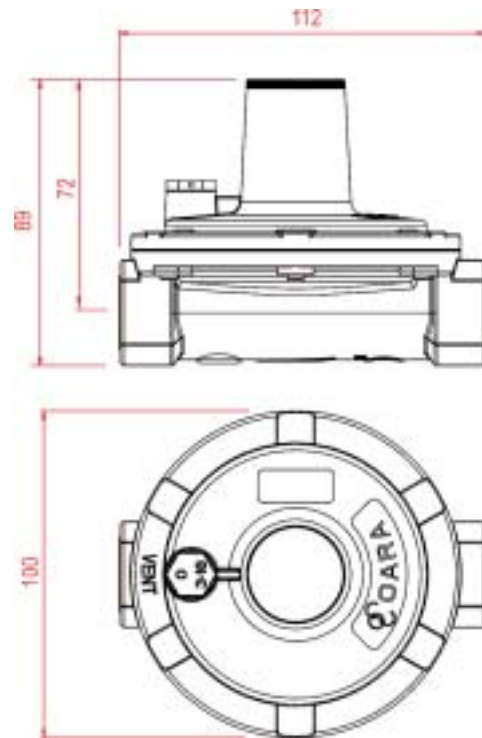
- Body : Aluminium die casting
- Spring: : Steel
- Diaphragms : Nitrile Rubber

INSTALLATIONS



Pag.C19

DIMENSIONS



TECHNICAL FEATURES*

GAS	INLET PRESSURE	OUTLET PRESSURE	CAPACITY RANGE	WORKING TEMPERATURE	INLET CONNECT. (pag. D04)	OUTLET CONNECT. (pag. D06)
Natural Gas Butane/Propane	2 PSI (138 mbar)	min 7" w.c. (18 mbar) max 12" w.c. (30 mbar)	500.000 BTU/hr	-40 ÷ +96 °C	TABLE D: D05 - D06	TABLE G: G05 - G06

* Note: The table shows all the variants of the configurations/technical features available for this type of regulator.

Homologation in compliance with a standard / country will relate to a specific combination of connections, technical features and performance criteria.

Pressure Governor Type 95

Part 5
PRESSURE GOVERNORS



PRODUCT DESCRIPTION

The Type 95 Pressure Regulators are manufactured in order to supply the highest performance both as **Line Pressure Regulators** (in compliance with **ANSI Z21.18 CGA 6.3.**) and **Gas Appliance Regulators**, in compliance with **ANSI Z21.80 CSA 6.22.** They feature precise regulating control from full flow down to tiny pilot flow. This model is available in fixed outlet or adjustable outlet pressures where small adjustments can be made to the outlet pressure on installation with the appliance. See installation schematics: N-02 (page C19).

SAFETY DEVICES

Fixed orifice

On request it is possible for the manufactured models type 95 to have a fixed orifice on the cover which limits the leakage in case of diaphragm rupture. In addition the vent hole is supplied with 3/8"NPT thread to allow the connection to an external vent line.

HOMOLOGATIONS*

- Homol. AGA(Australian)
- Homol. CSA (Canada)

MATERIALS

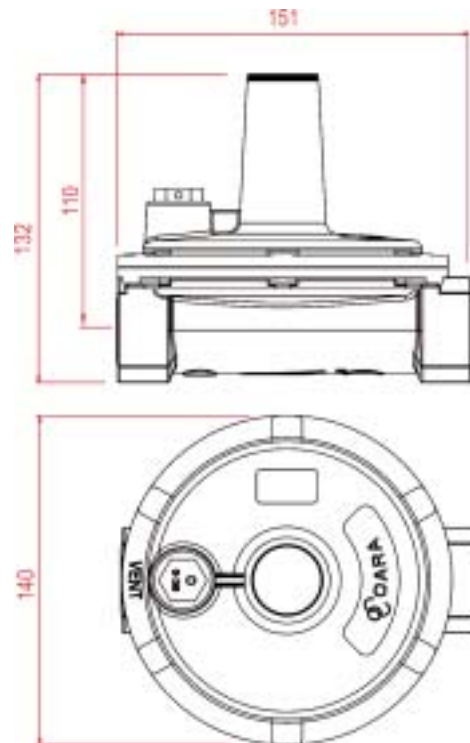
- Body : Aluminium die casting
- Spring: : Steel
- Diaphragms : Nitrile Rubber

INSTALLATIONS



Pag.C19

DIMENSIONS



TECHNICAL FEATURES*

GAS	INLET PRESSURE	OUTLET PRESSURE	CAPACITY RANGE	WORKING TEMPERATURE	INLET CONNECT. (pag. D04)	OUTLET CONNECT. (pag. D06)
Natural Gas Butane/Propane	2 PSI (138 mbar)	7" w.c. (18 mbar) 11" w.c. (27,4 mbar)	960.000 BTU/hr	-40 ÷ +96 °C	TABLE D: D07 - D08 - D09 - D10	TABLE G: G07 - G08 - G09 - G10

* Note: The table shows all the variants of the configurations/technical features available for this type of regulator. Homologation in compliance with a standard / country will relate to a specific combination of connections, technical features and performance criteria.



CAVAGNA group
Advanced Solutions for Gas Control

LPG & NATURAL GAS REGULATORS DIVISION

Part 6



HOSES ASSEMBLED

High Pressure Hose Type 50

Part 6
SHOSES



PRODUCT DESCRIPTION

In order to complete the installation of the regulators, we have available the high pressure hose with inlet fittings suitable for all the most common cylinder valves available in Europe.

The inlet / outlet fittings of the different hoses are reinforced by ferrules made of steel crimped onto the hose, so that sealing is perfectly guaranteed.

The hoses are built in compliance with the different standards available in the countries of destination of the product.

The working pressure of the hoses for all models is 20 bar, while the checking pressure is 80 bar.

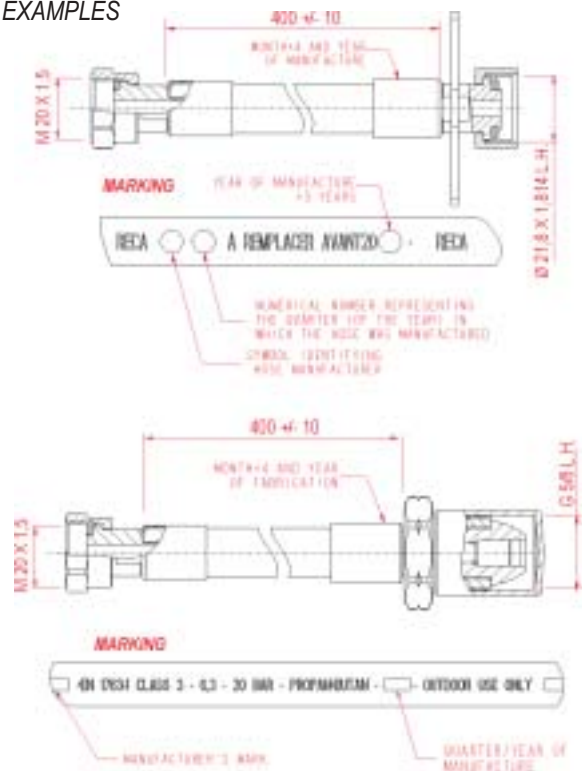
See installation schematics

INSTALLATIONS

 D-06 L-02	 D-07, D-08, D-09 D-10, D-11, D-12 D-13, D-14, D-15 D-16, L-04, L-05 R-03	 D-17, D-18, D-19 D-20, D-21, D-22 D-23, D-24, S-02 R-04
------------------	--	--

DIMENSIONS

EXAMPLES



TECHNICAL FEATURES*

GAS	LENGTH	WORKING PRESSURE	WORKING PRESSURE	INLET CONNECTIONS (pag. D07)
Propane Butane L.P.G.	350 mm 400 mm 750 mm 1000 mm	20 bar	-20 ÷ +60 °C	TABLE T

* Note: The table shows all the variants of the configurations/technical features available for this type of regulator.
Homologation in compliance with a standard / country will relate to a specific combination of connections, technical features and performance criteria.

Low Pressure Hose Type 22

Part 6
SHOSES



PRODUCT DESCRIPTION

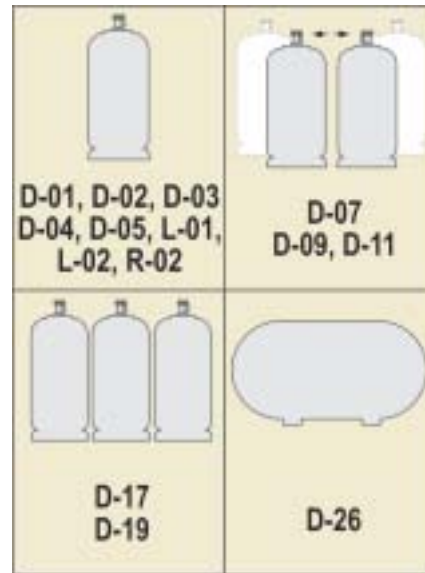
In order to complete the installation of the regulators with the final appliances, we have low pressure hose available for all the most common outlet connections (hose nozzle) used in Europe.

The hoses are manufactured in compliance with the different standards available in the countries of destination of the product.

As with the type 50 high pressure hose assemblies, low pressure hose assemblies can be manufactured on request or where standards dictate this requirement.

See installation schematics.

INSTALLATIONS



Low pressure hose assemblies



TECHNICAL FEATURES*

GAS	LENGHT	WORKING PRESSURE	WORKING TEMPERATURE	INLET/OUTLET CONNECTIONS
Butane/Propane	500 mm 750 mm 1000 mm 1500 mm	Depending on the hose standards	-20 ÷ +50 °C	8/14 mm 9/16 mm 11/18 mm 17/10 mm HOSE DIN - F. G 1/4 L.H. HOSE DIN - F. G 1/4 L.H.

* Note: The table shows all the variants of the configurations/technical features available for this type of regulator.

Homologation in compliance with a standard / country will relate to a specific combination of connections, technical features and performance criteria.



CAVAGNA group
Advanced Solutions for Gas Control

LPG & NATURAL GAS REGULATORS DIVISION

Part 7



ACCESSORIES

Connector for Multi-Cylinder/Simultaneous Withdrawal Type 161

Part 7
ACCESSORIES



PRODUCT DESCRIPTION

The Connector Type 161 is designed to enable the easy connection of two or more cylinders in an installation where a large gas demand is required.

The connections of Type 161 is suitable for all the most common cylinder valves available in Europe.

See installation schematics: D-17, D18, D22, D-23 (pages C9, C10, C11, C12).

SAFETY DEVICES

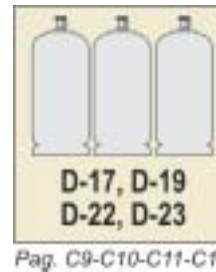
Non-return valves

The type 161 is equipped with non-return valves. The device limits the amount of gas escaping from the end of the disconnected hose during cylinder replacement.

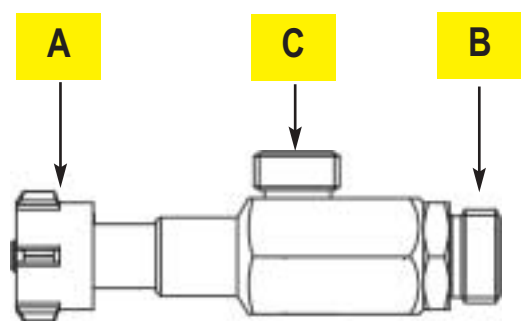
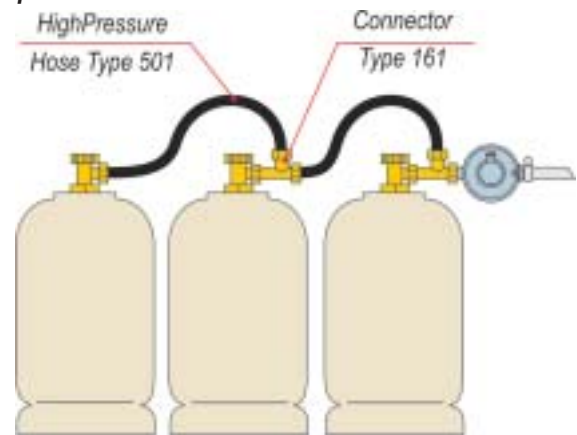
MATERIALS

- Body : Brass

INSTALLATIONS



Example



TECHNICAL FEATURES*

GAS	A	B	C
Butane Propane Butane/Propane	FEMALE W 20 X 1/14" L.H. - CH 25	MALE W 20 X 1/14" L.H.	MALE M20 X 1,5
	FEMALE W 21,8 X 1/14" L.H. - CH 27	MALE W 21,8 X 1/14" L.H.	MALE M20 X 1,5
	FEMALE KLF - W 21,8 X 1/14" L.H.	MALE 21,8 X 1/14" L.H.	MALE M20 X 1,5
	MALE POL 0.880" 14 NGO L.H.	FEMALE 0.880" 14 NGO L.H.	MALE M20 X 1,5
	MALE POL G 5/8 L.H.	FEMALE G 5/8 L.H.	MALE M20 X 1,5

* Note: The table shows all the variants of the configurations/technical features available for this type of regulator. Homologation in compliance with a standard / country will relate to a specific combination of connections, technical features and performance criteria.



CAVAGNA group
Advanced Solutions for Gas Control



















LPG & NATURAL GAS REGULATORS DIVISION

Part C



INSTALLATION SYSTEMS

PRODUCT RANGE APPLICATIONS

APPLICATION	TYPE OF REGULATOR	INSTALLATION SYSTEM
REGULATORS FOR DOMESTIC USE 	<p>SINGLE STAGE LOW PRESSURE</p> <p>DOUBLE STAGE LOW PRESSURE</p> <p>FIRST STAGE HIGH PRESSURE</p> <p>SECOND STAGE LOW PRESSURE</p>	    <p>SINGLE CYLINDER INSTALLATIONS</p> <p>TWO OR MORE CYLINDERS, SERVICE/RESERVE, INSTALLATIONS</p> <p>MULTI-CYLINDERS / SIMULTANEOUS WITHDRAWAL INSTALLATIONS</p> <p>STORAGE VESSEL (TANK) INSTALLATIONS</p>
REGULATORS FOR CAMPING AND CARAVAN 	<p>DOUBLE STAGE LOW PRESSURE</p>	  <p>SINGLE CYLINDER INSTALLATIONS</p> <p>TWO OR MORE CYLINDERS, SERVICE/RESERVE, INSTALLATIONS</p>
REGULATORS FOR INDUSTRIAL AND D.I.Y. USE 	<p>SINGLE STAGE MEDIUM PRESSURE</p> <p>SINGLE STAGE HIGH PRESSURE</p> <p>FIRST STAGE HIGH PRESSURE</p> <p>SECOND STAGE LOW PRESSURE</p>	   <p>SINGLE CYLINDER INSTALLATIONS</p> <p>MULTI-CYLINDERS / SIMULTANEOUS WITHDRAWAL INSTALLATIONS</p> <p>STORAGE VESSEL (TANK) INSTALLATIONS</p>
ADAPTERS 	<p>CLIP-ON ADAPTERS</p>	   <p>SINGLE CYLINDER INSTALLATIONS</p> <p>TWO OR MORE CYLINDERS, SERVICE/RESERVE, INSTALLATIONS</p> <p>MULTI-CYLINDERS / SIMULTANEOUS WITHDRAWAL INSTALLATIONS</p>
PRESSURE GOVERNORS 	<p>PRESSURE GOVERNORS</p>	 <p>NATURAL GAS PRESSURE GOVERNORS INSTALLATIONS</p>



TYPE OF DOMESTIC INSTALLATIONS

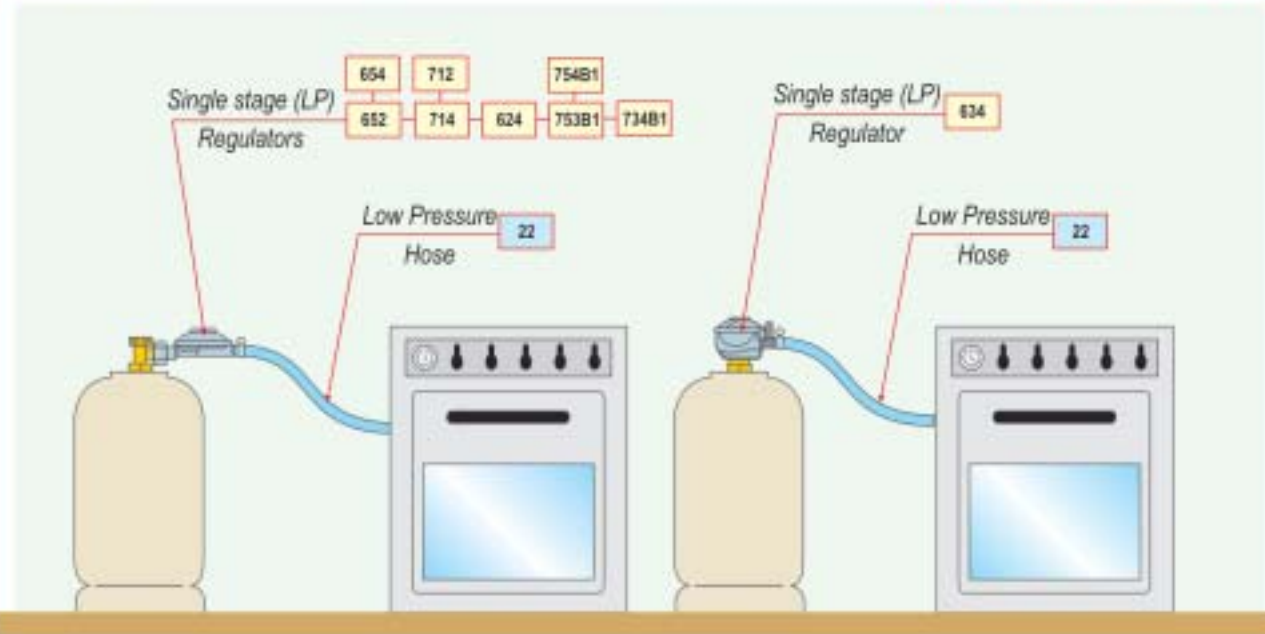
INSTALLATION SYSTEMS



SINGLE CYLINDER INSTALLATIONS

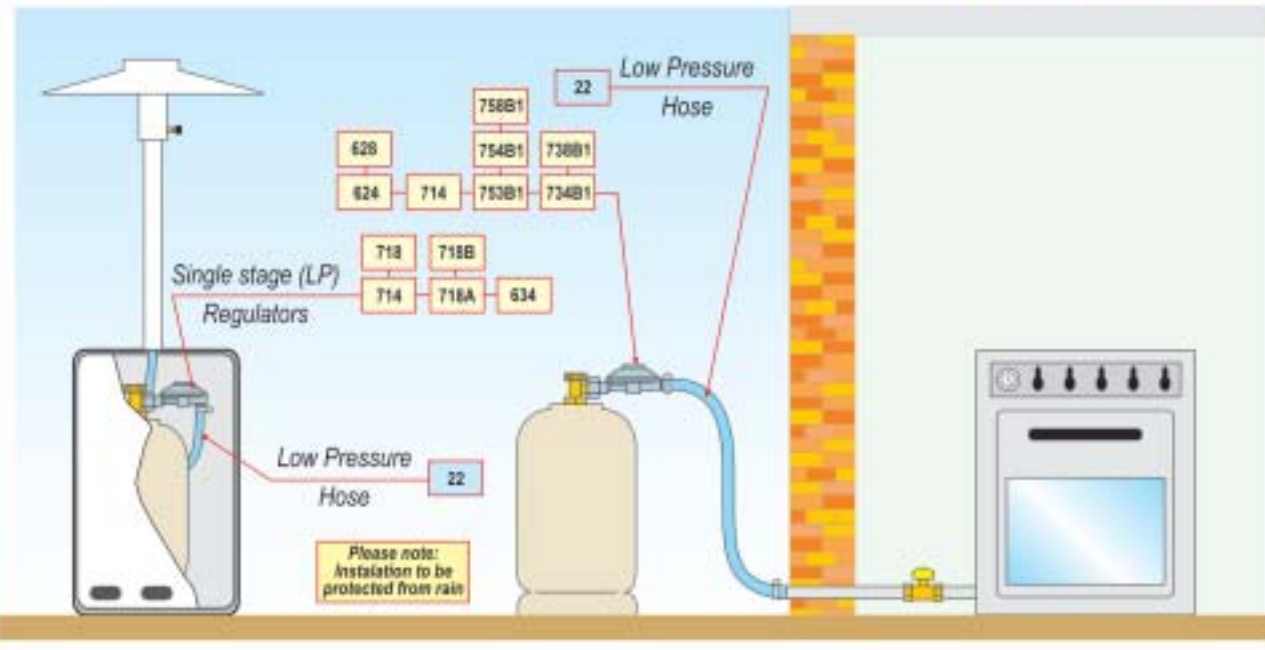
D-01 SINGLE STAGE LOW PRESSURE REGULATORS

INDOOR INSTALLATION



D-02 SINGLE STAGE LOW PRESSURE REGULATORS

OUTDOOR INSTALLATION





TYPE OF DOMESTIC INSTALLATIONS

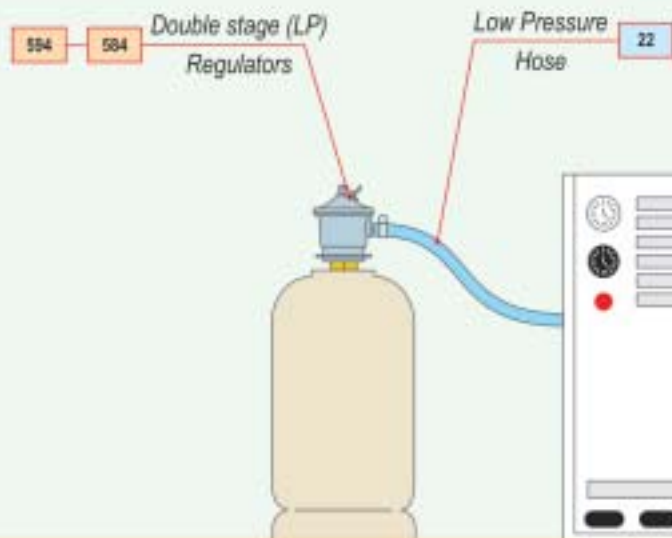
INSTALLATION SYSTEMS



SINGLE CYLINDER INSTALLATIONS

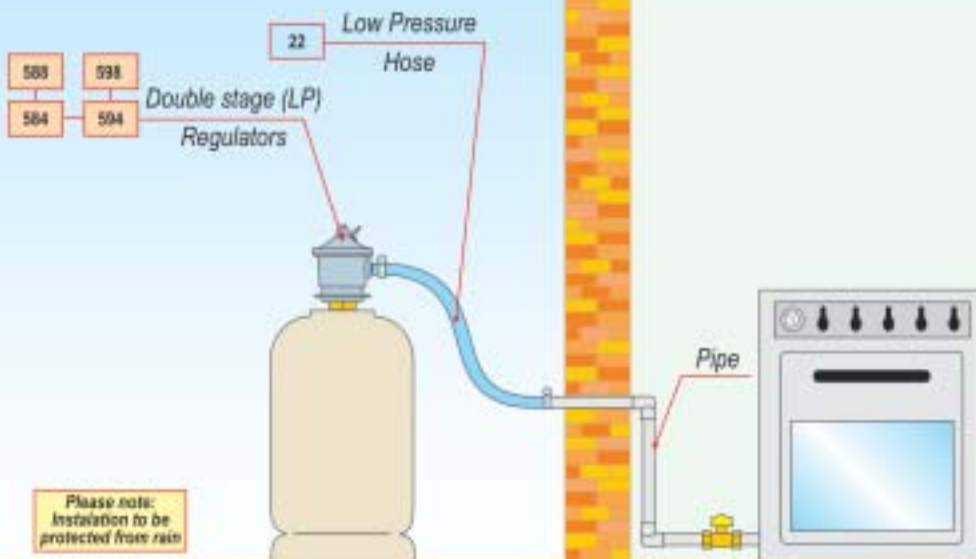
D-03 DOUBLE STAGE LOW PRESSURE REGULATORS

INDOOR INSTALLATION



D-04 DOUBLE STAGE LOW PRESSURE REGULATORS

OUTDOOR INSTALLATION





TYPE OF DOMESTIC INSTALLATIONS

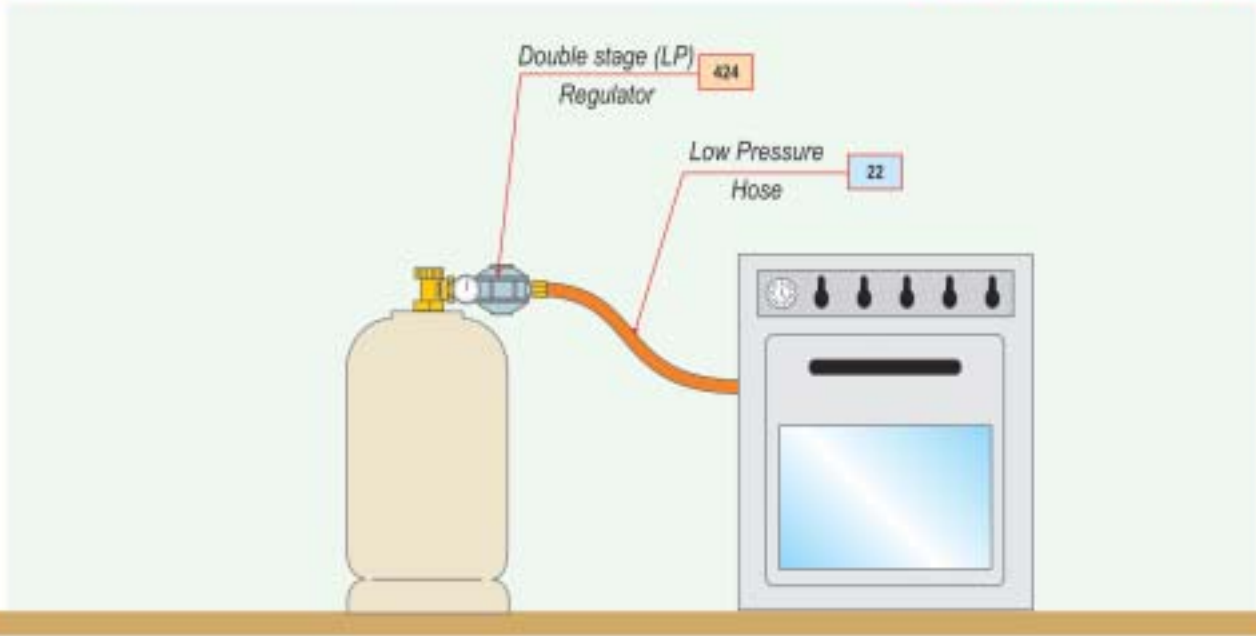
INSTALLATION SYSTEMS



SINGLE CYLINDER INSTALLATIONS

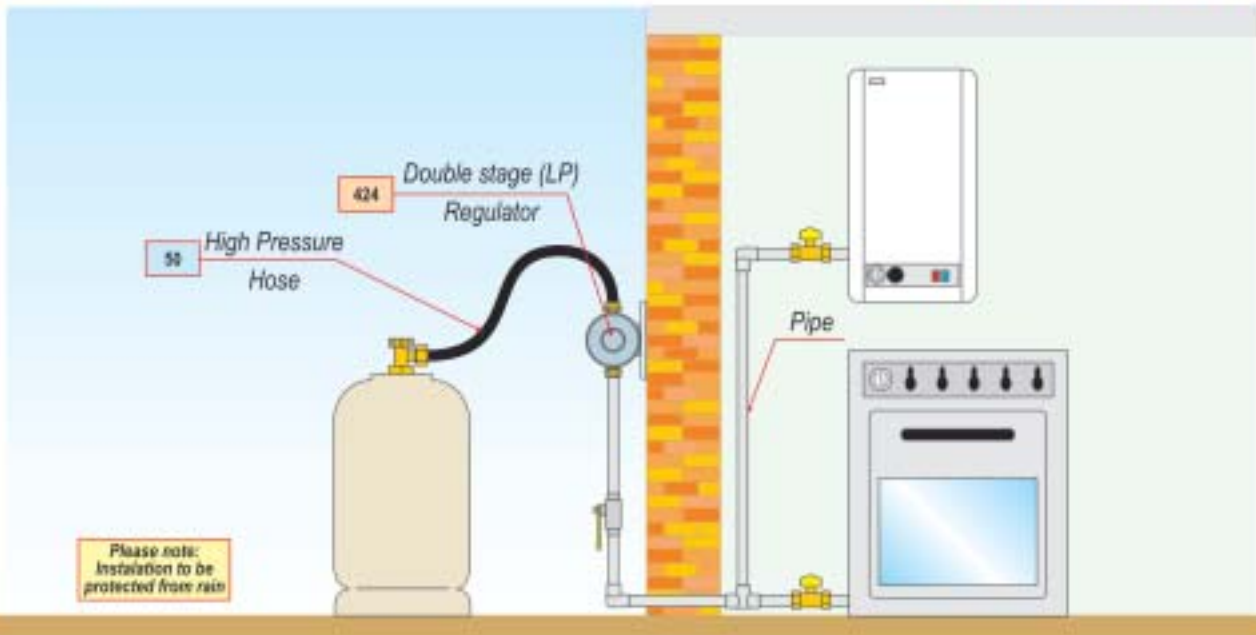
D-05 DOUBLE STAGE LOW PRESSURE REGULATORS

INDOOR INSTALLATION



D-06 DOUBLE STAGE LOW PRESSURE REGULATORS

OUTDOOR INSTALLATION





TYPE OF DOMESTIC INSTALLATIONS

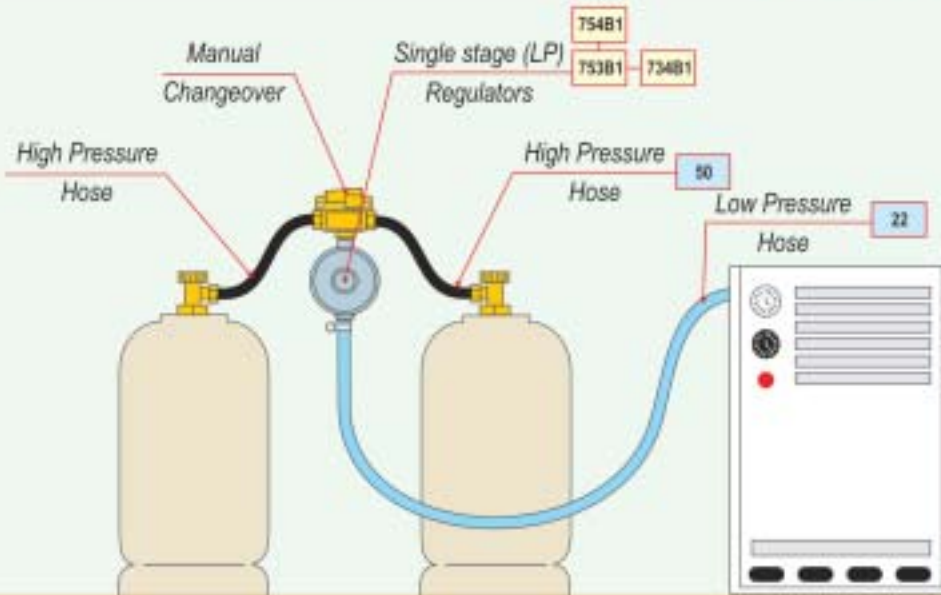
INSTALLATION SYSTEMS



TWO OR MORE CYLINDERS, SERVICE/RESERVE, INSTALLATIONS

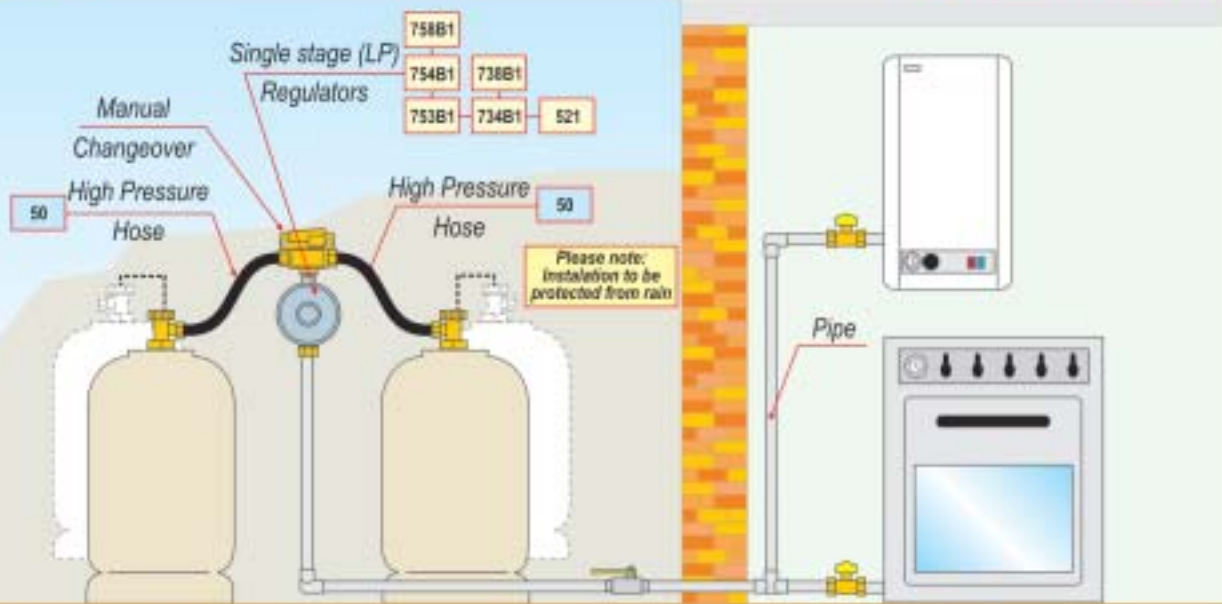
D-07 MANUAL CHANGEOVER + SINGLE STAGE LOW PRESSURE REGULATORS

INDOOR INSTALLATION



D-08 MANUAL CHANGEOVER + SINGLE STAGE LOW PRESSURE REGULATORS

OUTDOOR INSTALLATION



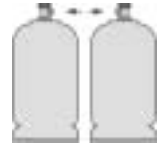


TYPE OF DOMESTIC INSTALLATIONS

INSTALLATION SYSTEMS

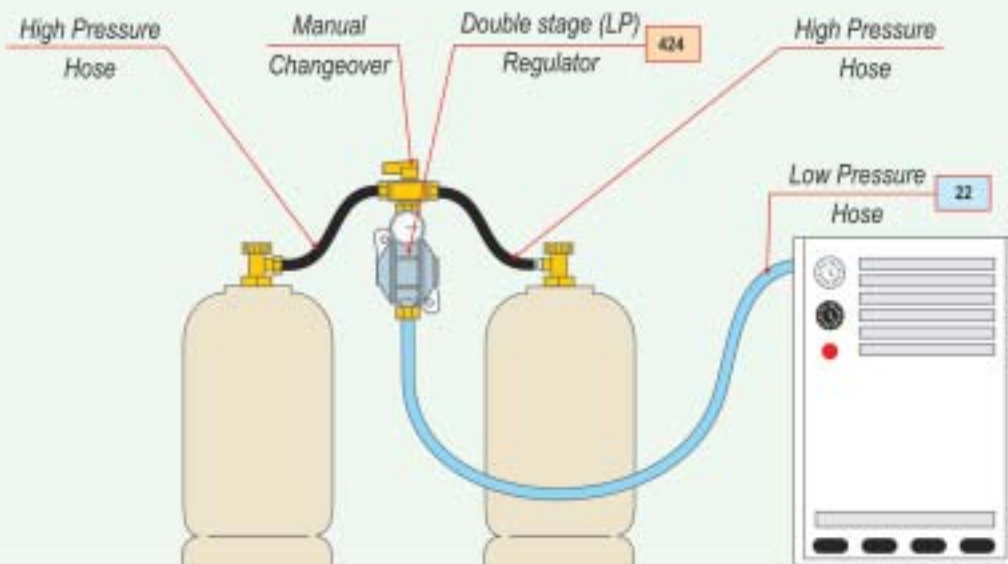


TWO OR MORE CYLINDERS, SERVICE/RESERVE, INSTALLATIONS



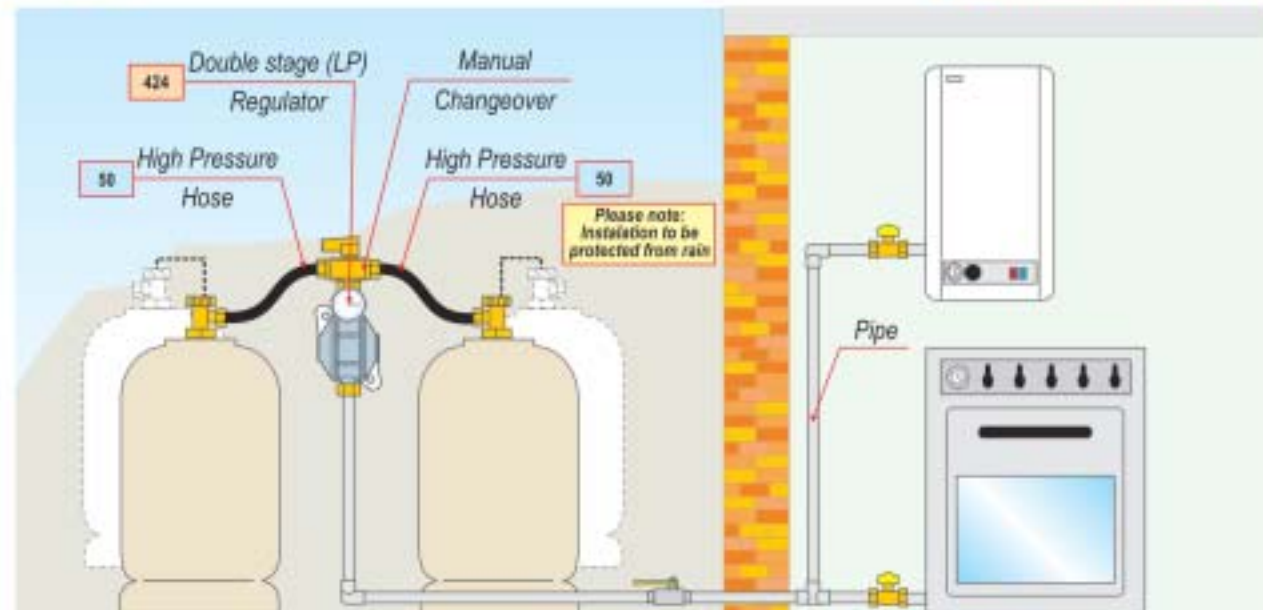
D-09 MANUAL CHANGEOVER + DOUBLE STAGE LOW PRESSURE REGULATORS

INDOOR INSTALLATION



D-10 MANUAL CHANGEOVER + DOUBLE STAGE LOW PRESSURE REGULATORS

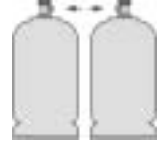
OUTDOOR INSTALLATION





TYPE OF DOMESTIC INSTALLATIONS

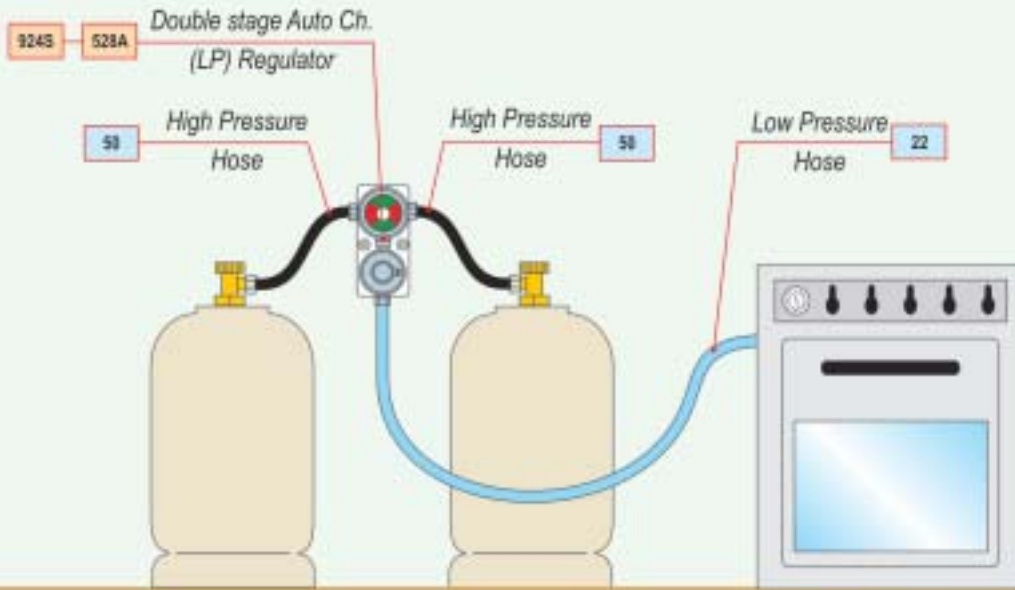
INSTALLATION SYSTEMS



TWO OR MORE CYLINDERS, SERVICE/RESERVE, INSTALLATIONS

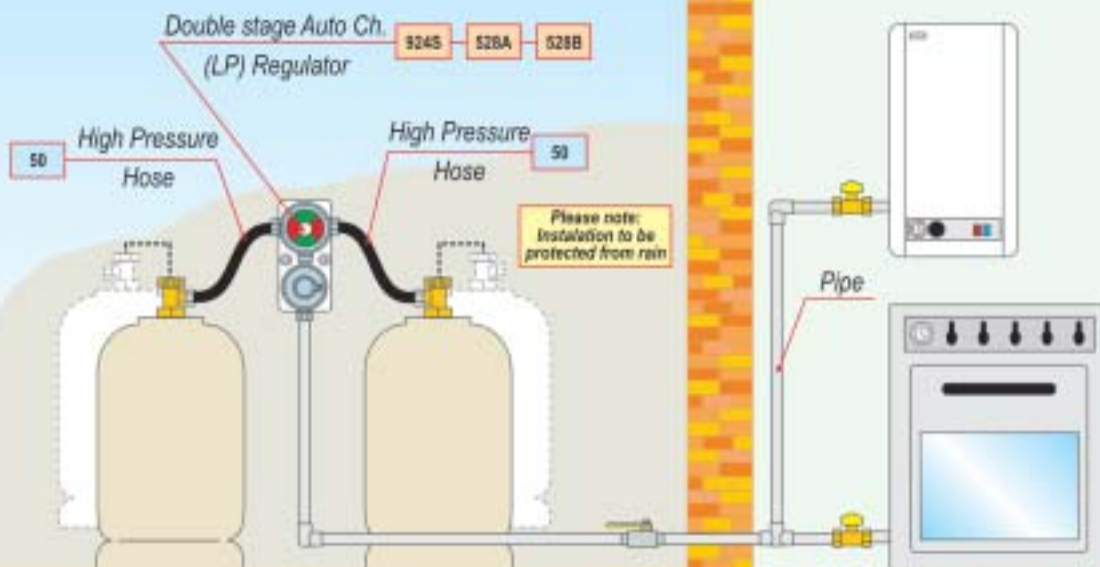
D-11 DOUBLE STAGE AUTO-CHANGEOVER LOW PRESSURE REGULATORS

INDOOR INSTALLATION



D-12 DOUBLE STAGE AUTO-CHANGEOVER LOW PRESSURE REGULATORS

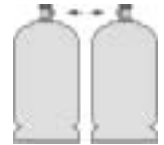
OUTDOOR INSTALLATION





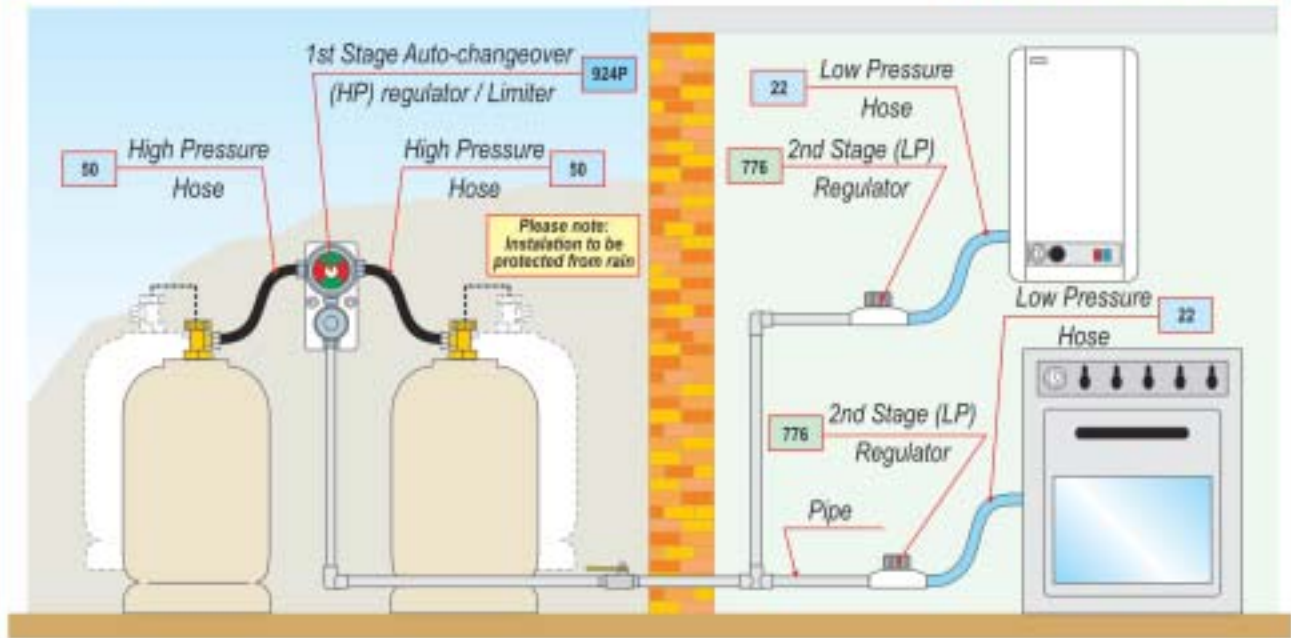
TYPE OF DOMESTIC INSTALLATIONS

INSTALLATION SYSTEMS

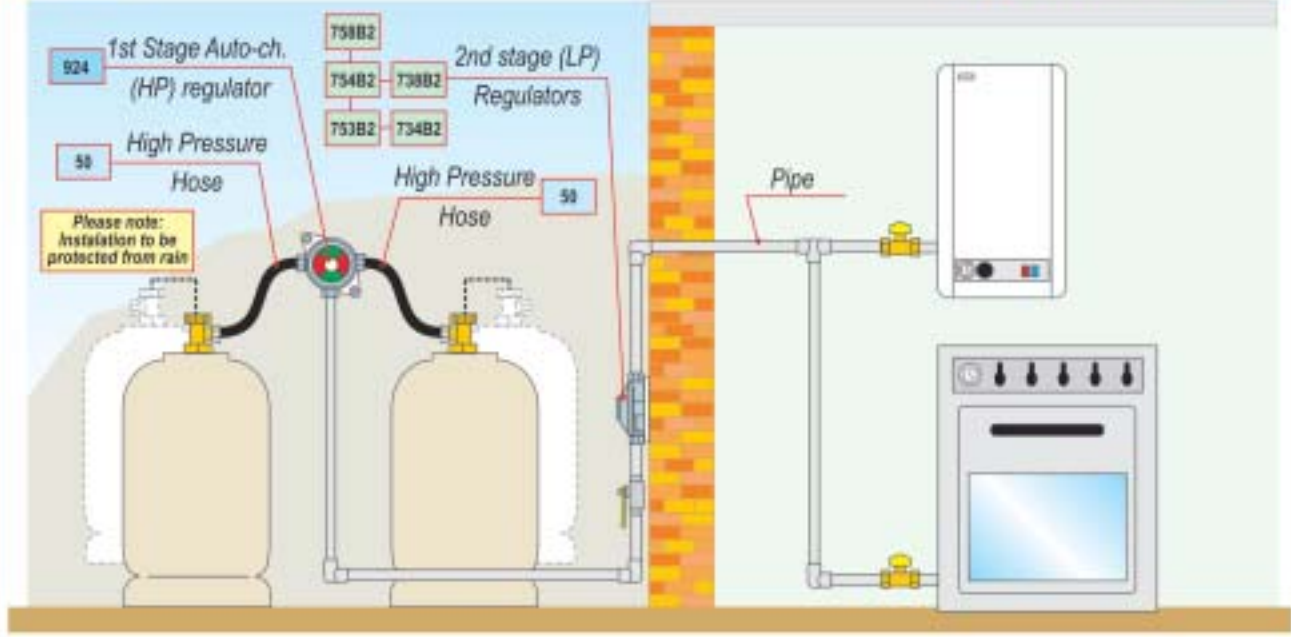


TWO OR MORE CYLINDERS, SERVICE/RESERVE, INSTALLATIONS

D-13 1st STAGE AUTO-CHANGEOVER HIGH PRESSURE REGULATORS / LIMITER OUTDOOR INSTALLATION



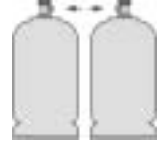
D-14 1st STAGE AUTO-CHANGEOVER (HP) REG. + 2nd STAGE (LP) REG. OUTDOOR INSTALLATION





TYPE OF DOMESTIC INSTALLATIONS

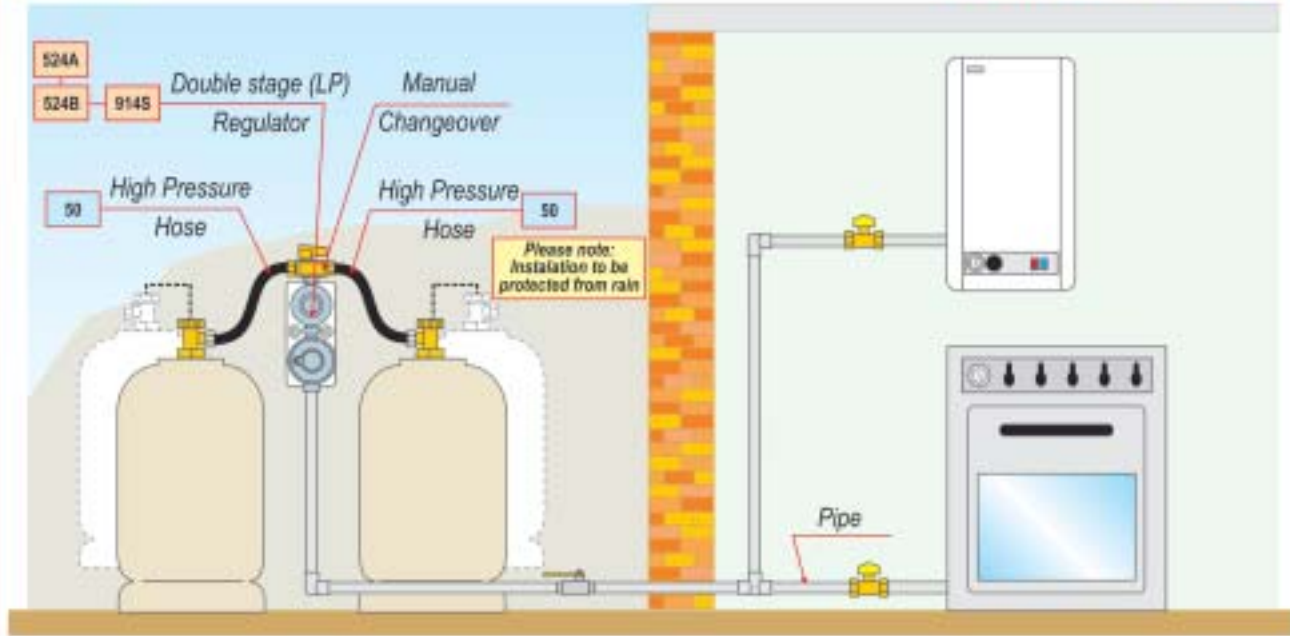
INSTALLATION SYSTEMS



TWO OR MORE CYLINDERS, SERVICE/RESERVE, INSTALLATIONS

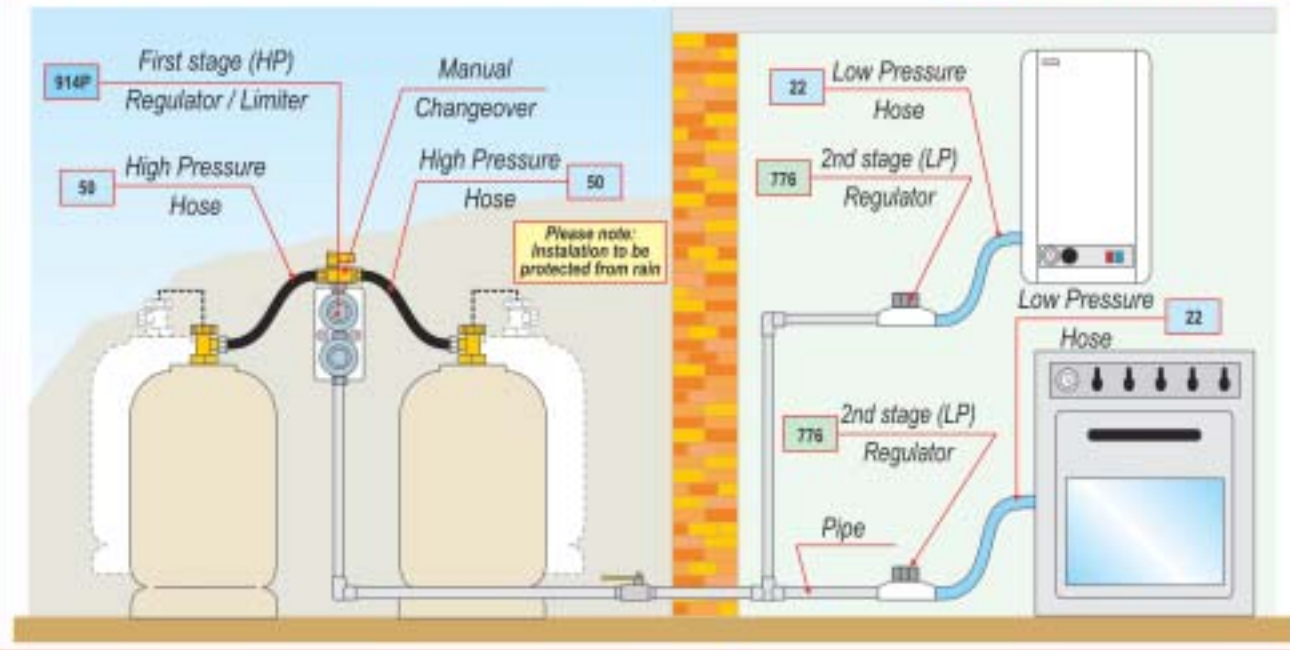
D-15 MANUAL CHANGEOVER + DOUBLE STAGE LOW PRESSURE REGULATOR

OUTDOOR INSTALLATION



D-16 MANUAL CHANGEOVER + 1st STAGE (HP) REG. / LIMITER + 2nd. STAGE (LP) REG.

OUTDOOR INSTALLATION





TYPE OF DOMESTIC INSTALLATIONS

INSTALLATION SYSTEMS

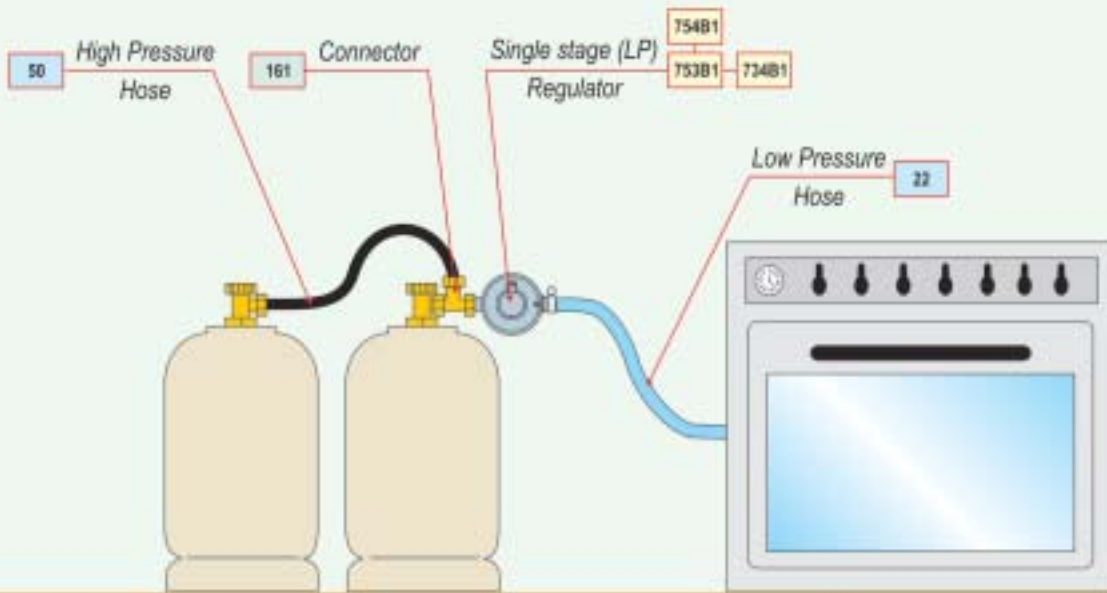


MULTI-CYLINDERS/SIMULTANEOUS WITHDRAWAL INSTALLATIONS



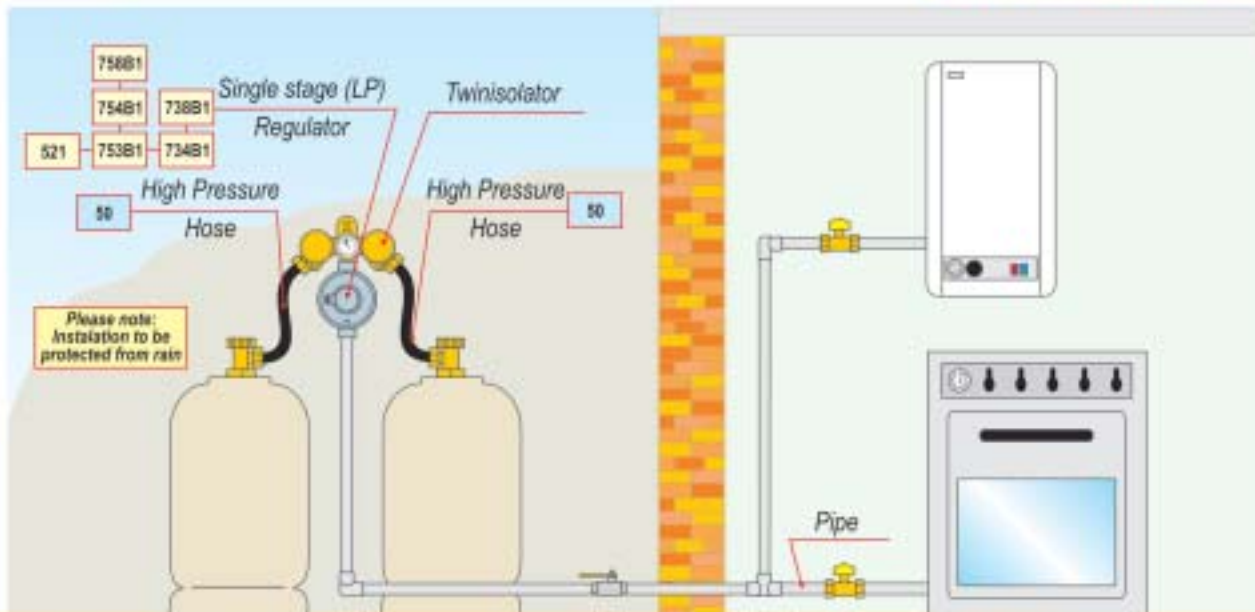
D-17 SINGLE STAGE LOW PRESSURE REGULATORS

INDOOR INSTALLATION



D-18 TWINISOLATOR + SINGLE STAGE LOW PRESSURE REGULATORS

OUTDOOR INSTALLATION





TYPE OF DOMESTIC INSTALLATIONS

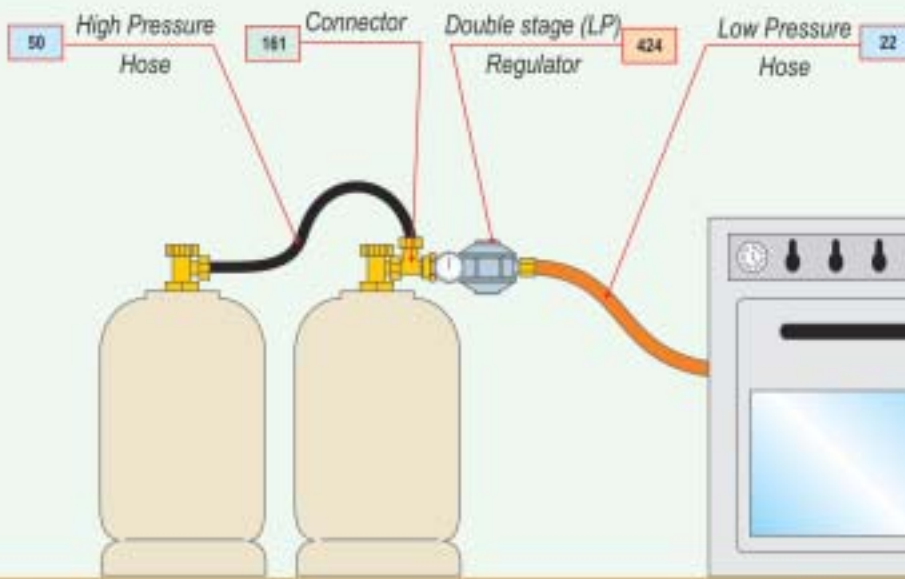
INSTALLATION SYSTEMS



MULTI-CYLINDERS/SIMULTANEOUS WITHDRAWAL INSTALLATIONS

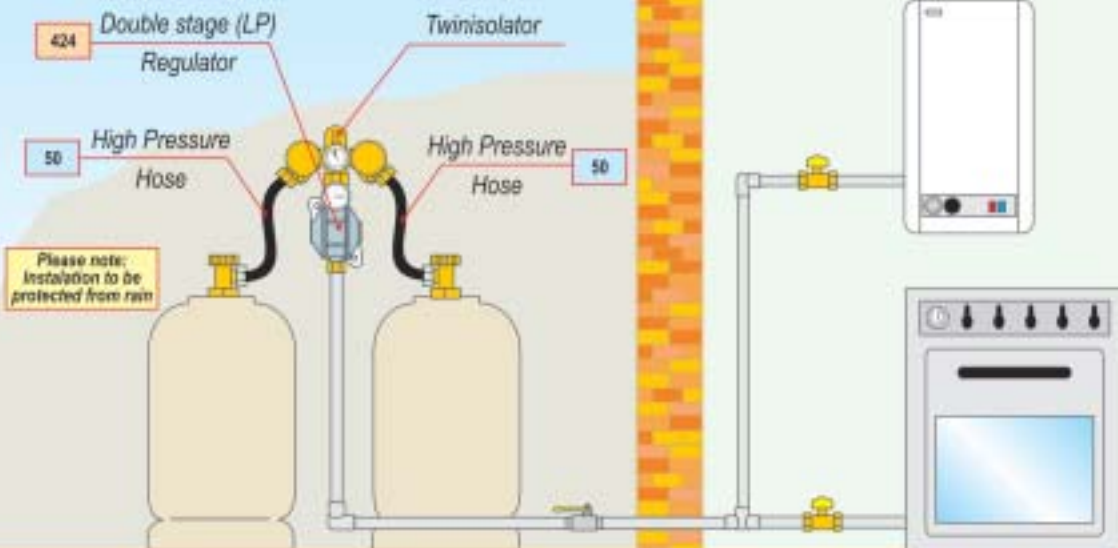
D-19 DOUBLE STAGE LOW PRESSURE REGULATORS

INDOOR INSTALLATION



D-20 TWINISOLATOR + DOUBLE STAGE LOW PRESSURE REGULATORS

OUTDOOR INSTALLATION





TYPE OF DOMESTIC INSTALLATIONS

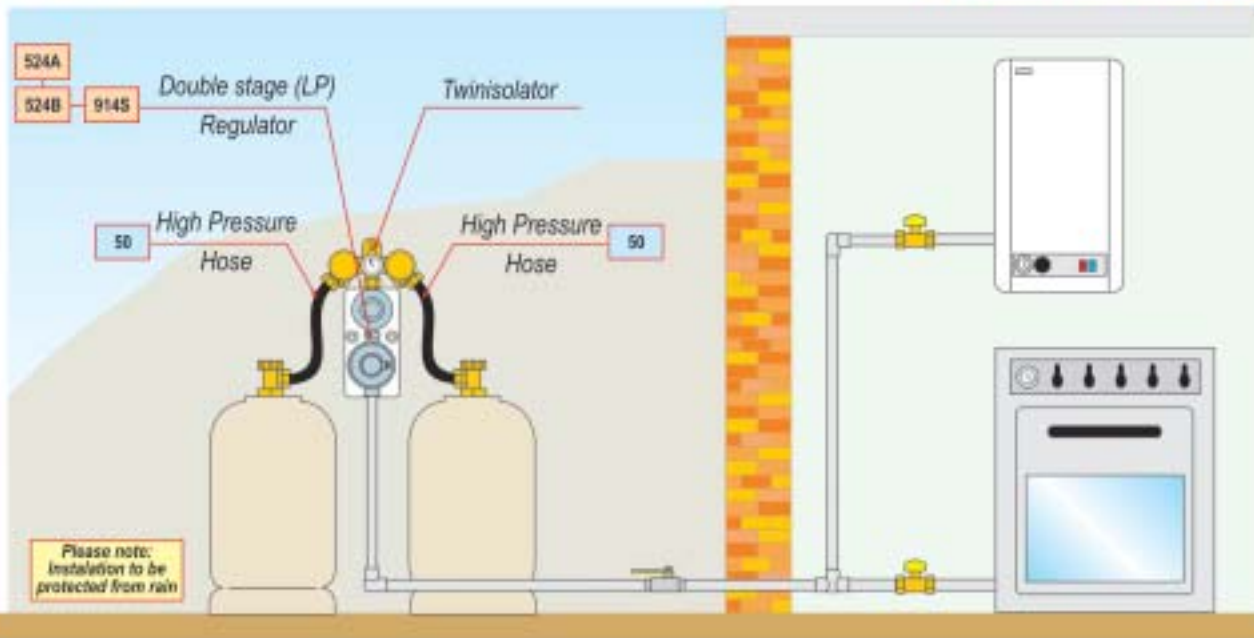
INSTALLATION SYSTEMS



MULTI-CYLINDERS/SIMULTANEOUS WITHDRAWAL INSTALLATIONS

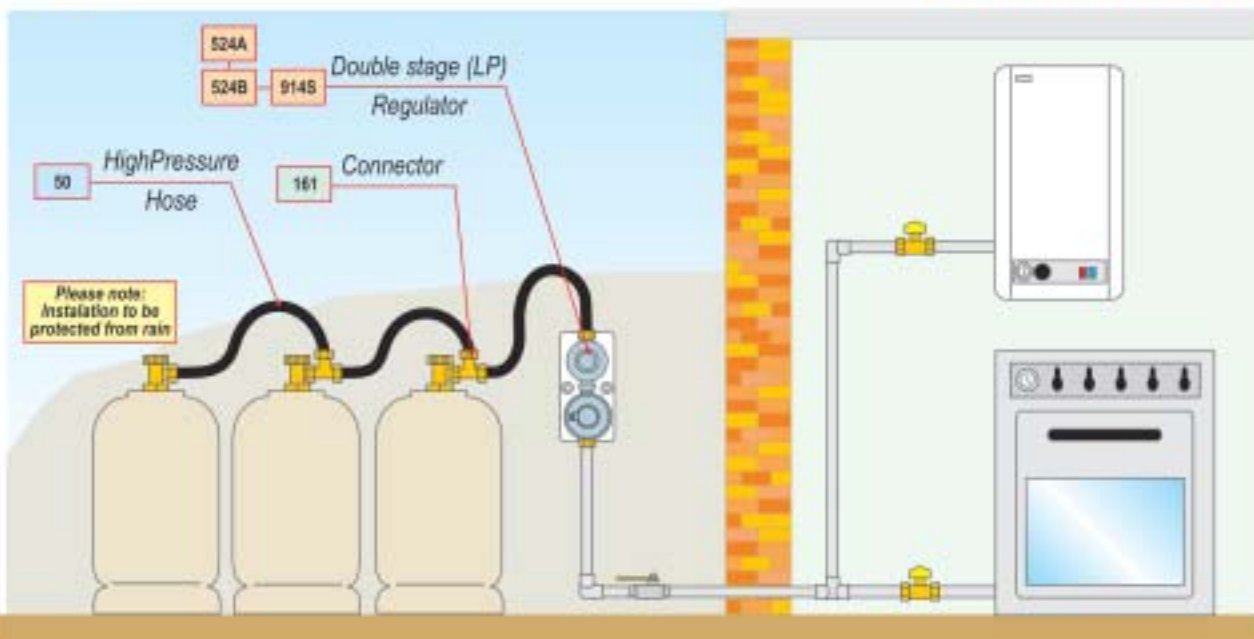
D-21 TWINISOLATOR + DOUBLE STAGE LOW PRESSURE REGULATOR

OUTDOOR INSTALLATION



D-22 DOUBLE STAGE LOW PRESSURE REGULATOR

OUTDOOR INSTALLATION





TYPE OF DOMESTIC INSTALLATIONS

INSTALLATION SYSTEMS

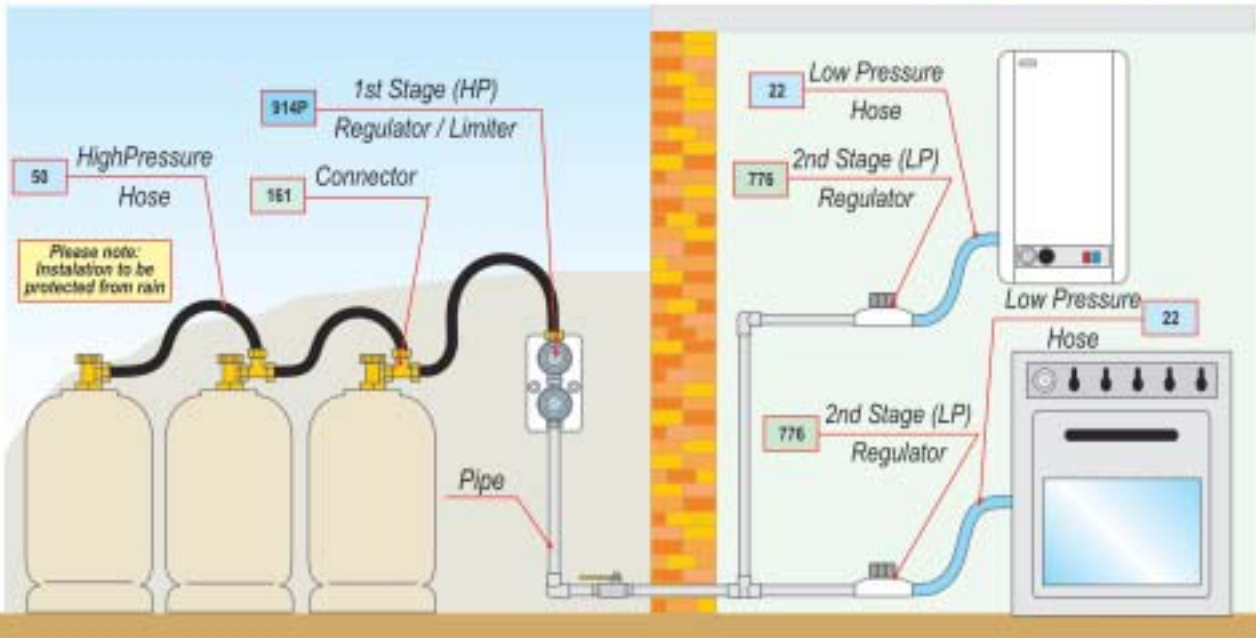


MULTI-CYLINDERS/SIMULTANEOUS WITHDRAWAL INSTALLATIONS



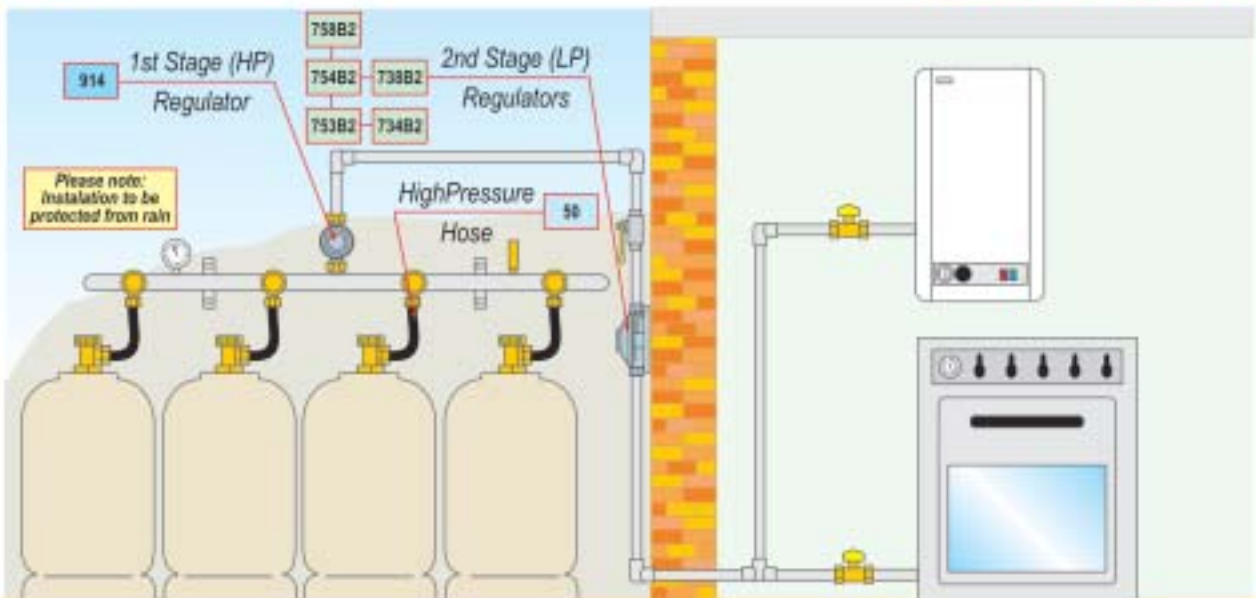
D-23 1st STAGE (HP) REGULATOR / LIMITER + 2nd STAGE (LP) REGULATORS

OUTDOOR INSTALLATION



D-24 1st STAGE (HP) REGULATOR + 2nd STAGE (LP) REGULATORS

OUTDOOR INSTALLATION



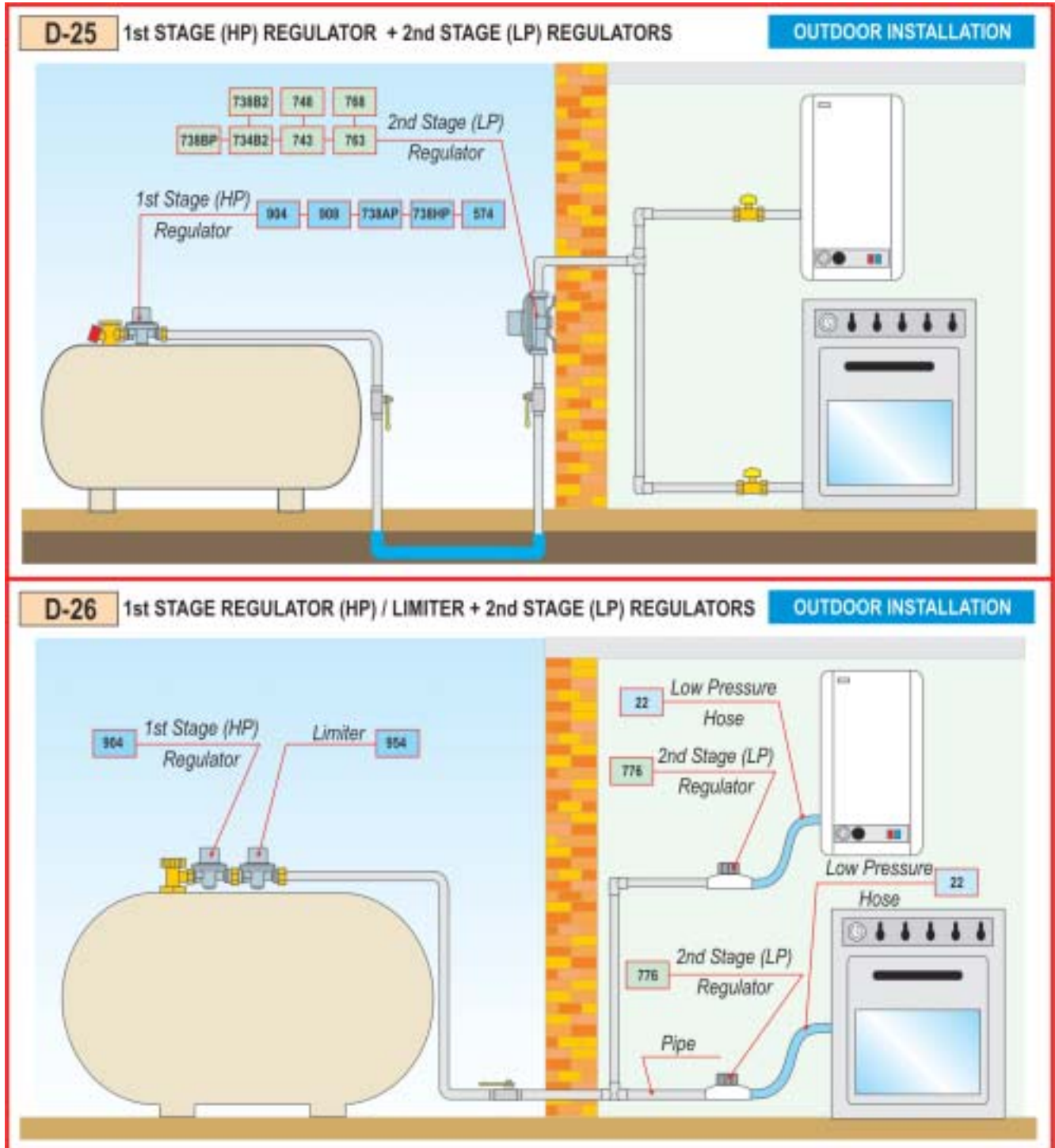


TYPE OF DOMESTIC INSTALLATIONS

INSTALLATION SYSTEMS



STORAGE VESSEL (TANK) INSTALLATIONS





TYPE OF DOMESTIC INSTALLATIONS

INSTALLATION SYSTEMS

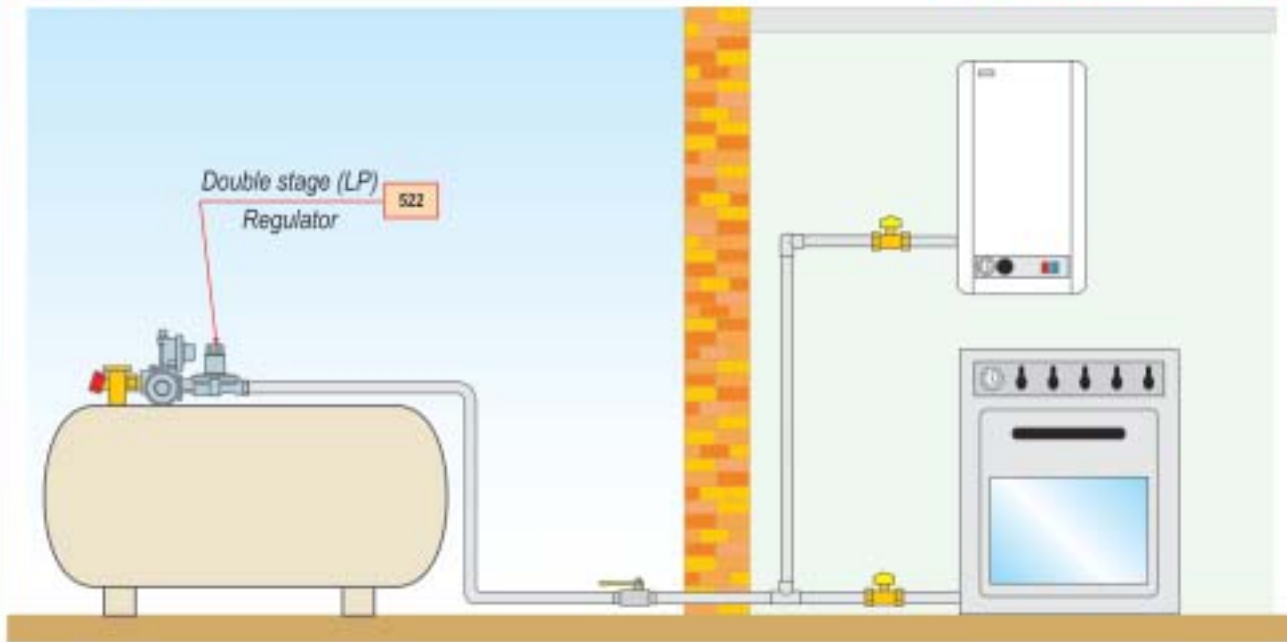


STORAGE VESSEL (TANK) INSTALLATIONS



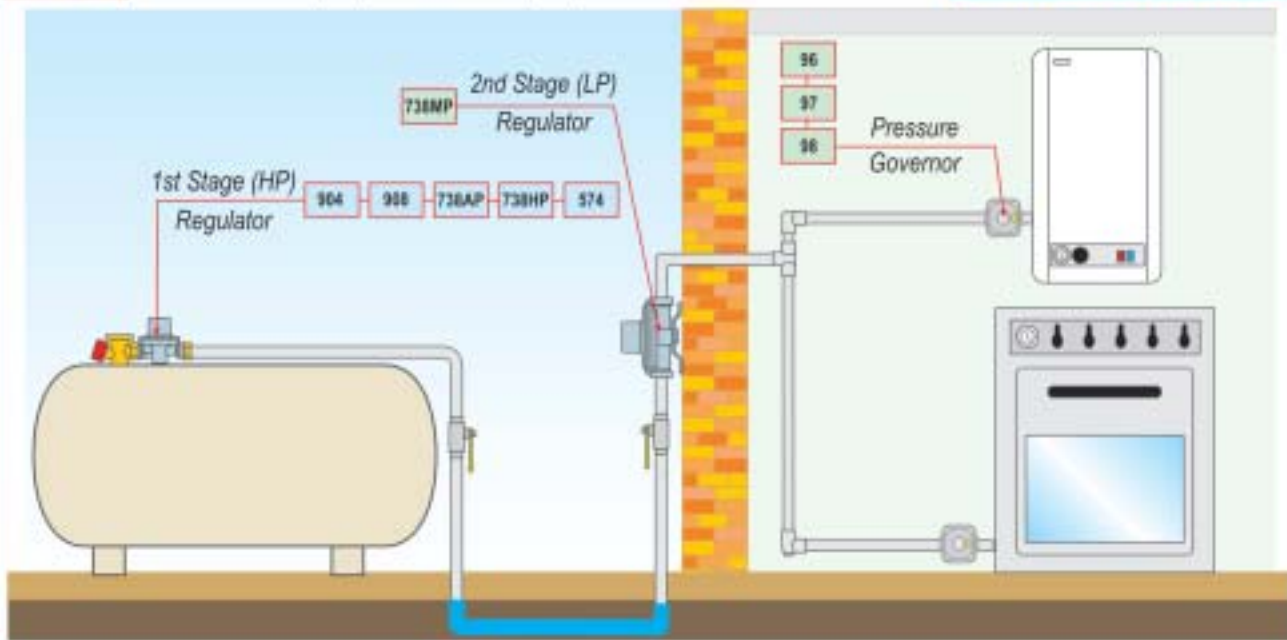
D-27 DOUBLE STAGE REGULATOR (LP)

OUTDOOR INSTALLATION



D-28 1st STAGE REG. (HP) + 2nd STAGE (MP) REG. + PRESSURE GOVERNOR

OUTDOOR INSTALLATION



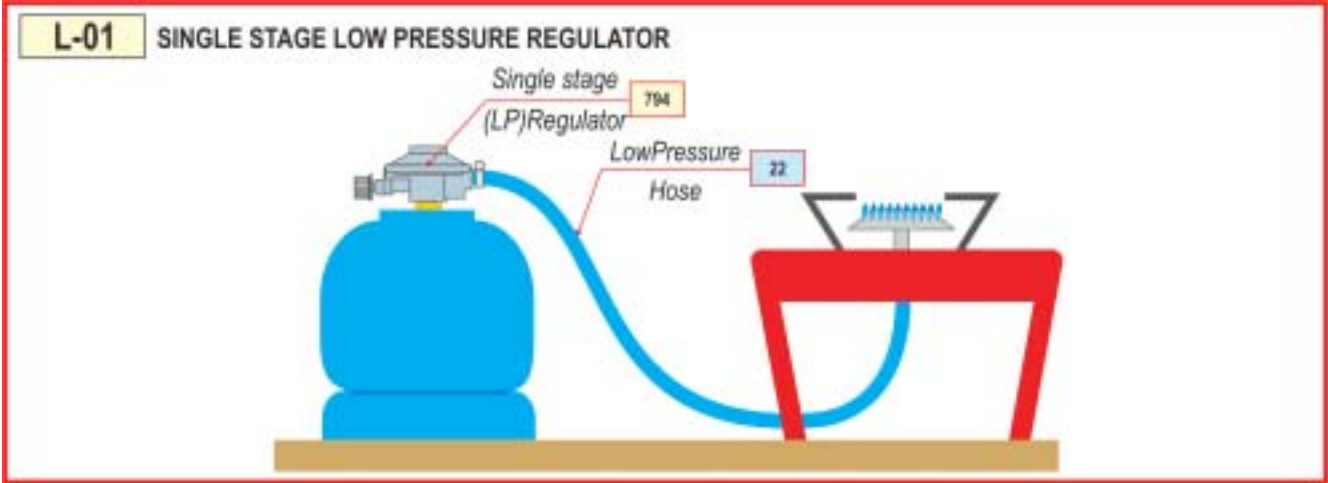


TYPE OF CAMPING AND CARAVAN INSTALLATIONS

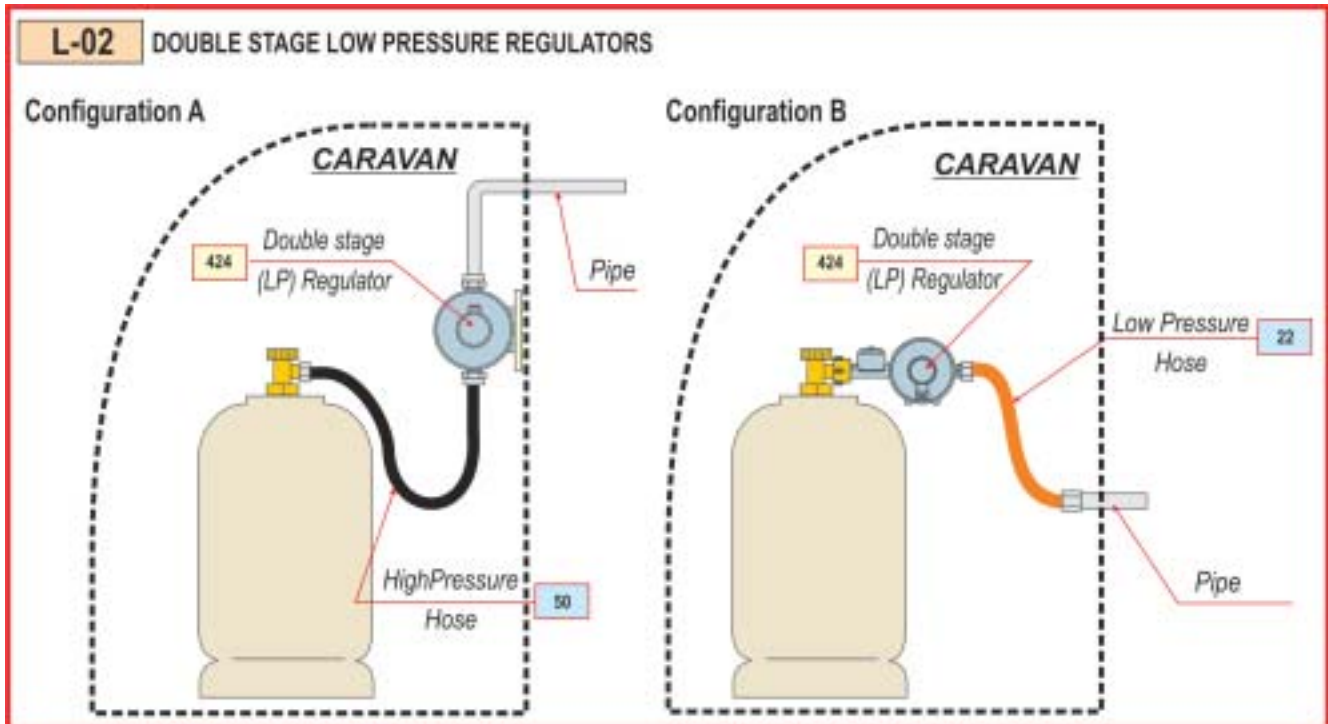
INSTALLATION SYSTEMS



SINGLE CAMPING CYLINDER



SINGLE CYLINDER FOR CARAVAN



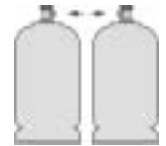
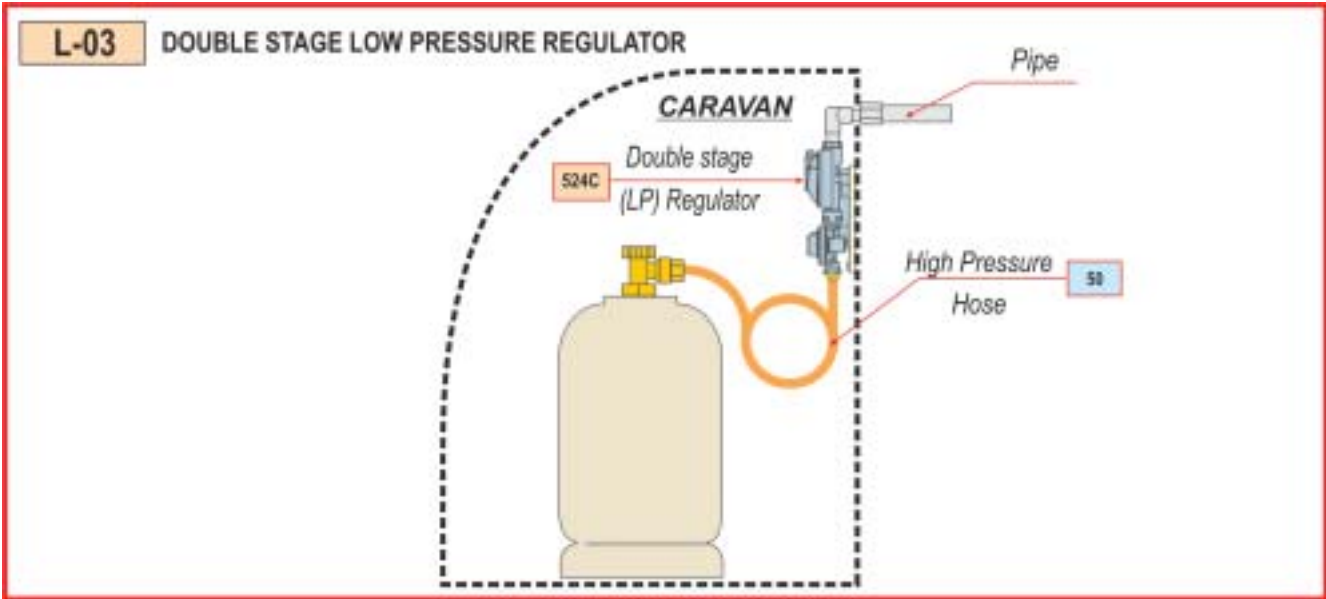


TYPE OF CAMPING AND CARAVAN INSTALLATIONS

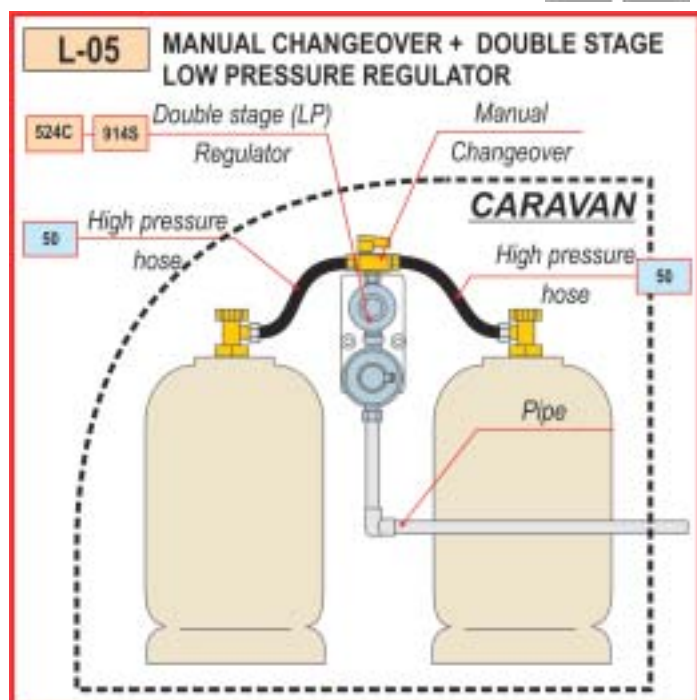
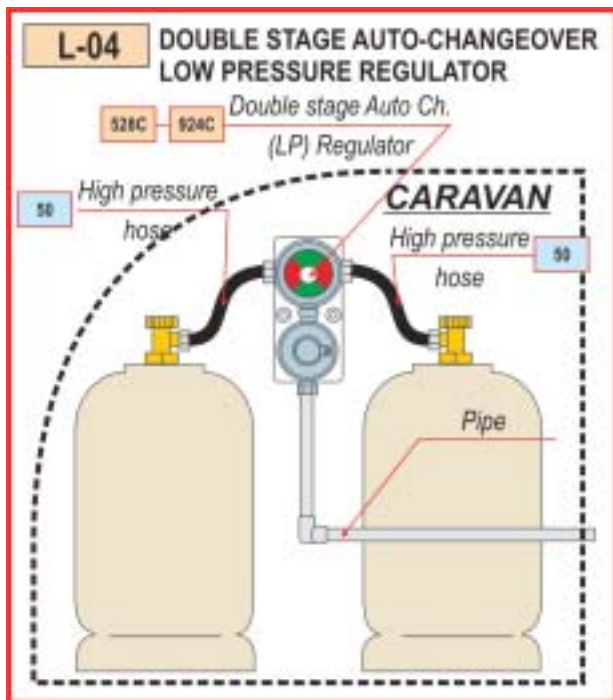
INSTALLATION SYSTEMS



SINGLE CYLINDER FOR CARAVAN



TWO OR MORE CYLINDERS, SERVICE/RESERVE, INSTALLATIONS



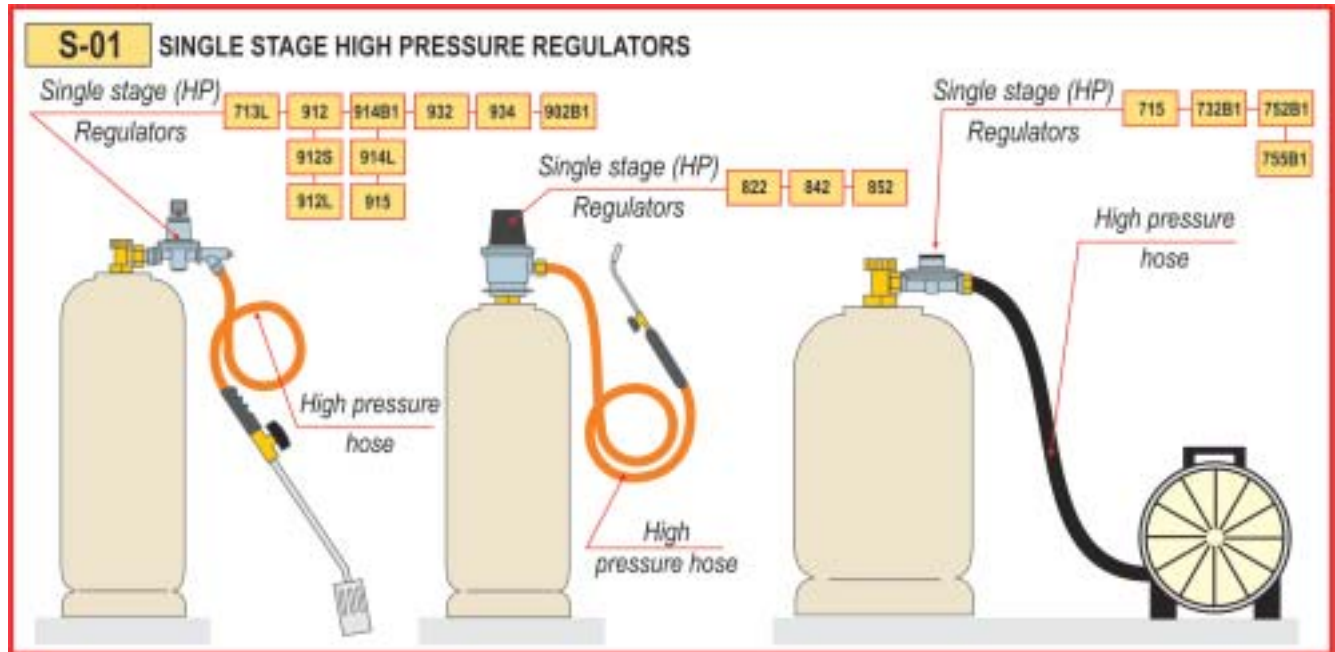


TYPE OF INDUSTRIAL INSTALLATIONS AND D.I.Y. USE

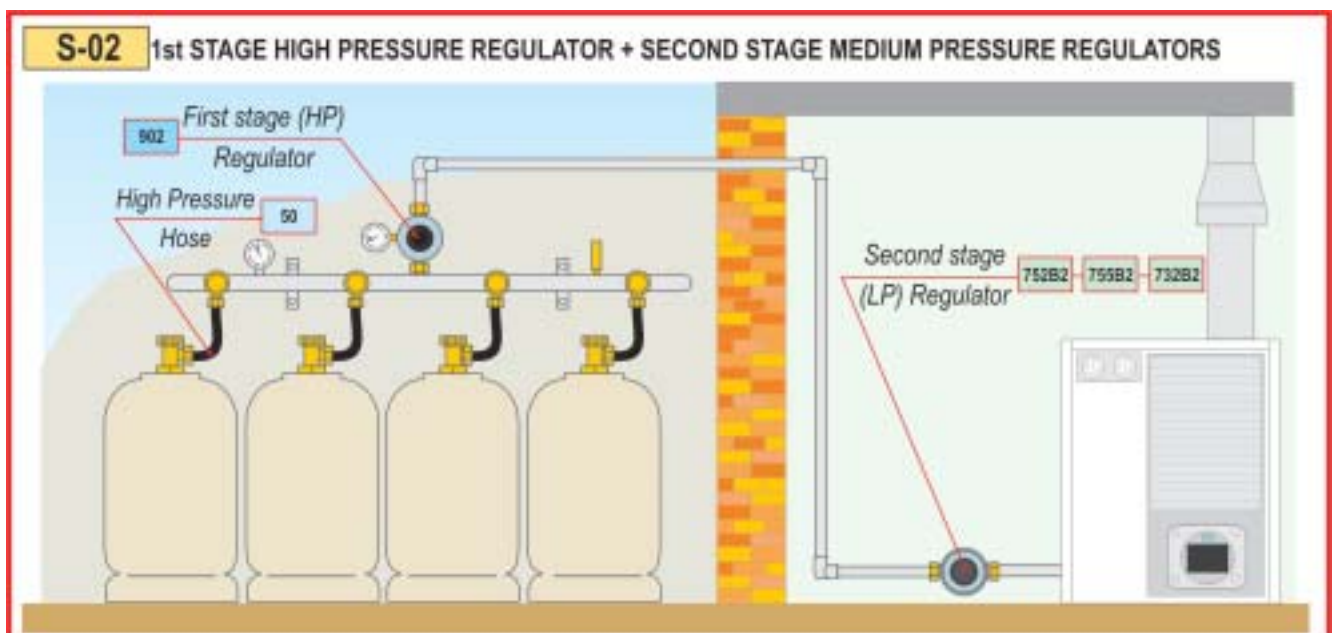
INSTALLATION SYSTEMS



SINGLE CYLINDER INSTALLATIONS



MULTI-CYLINDERS/SIMULTANEOUS WITHDRAWAL INSTALLATIONS





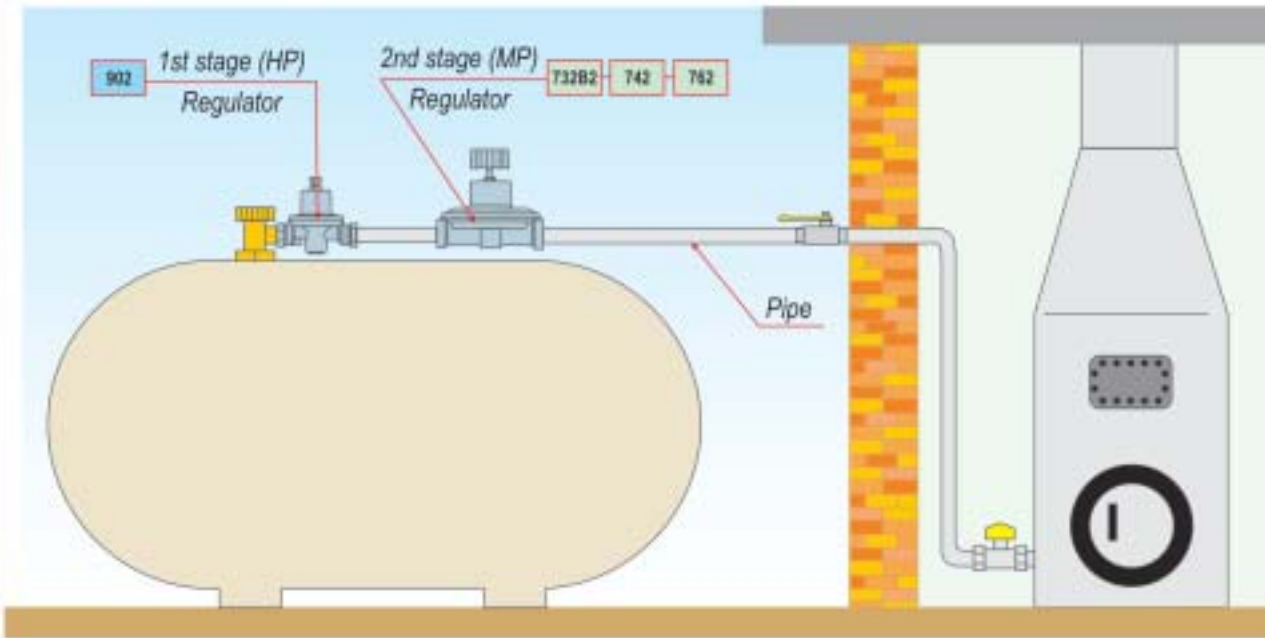
**TYPE OF INDUSTRIAL
INSTALLATIONS
AND D.I.Y. USE**

INSTALLATION SYSTEMS

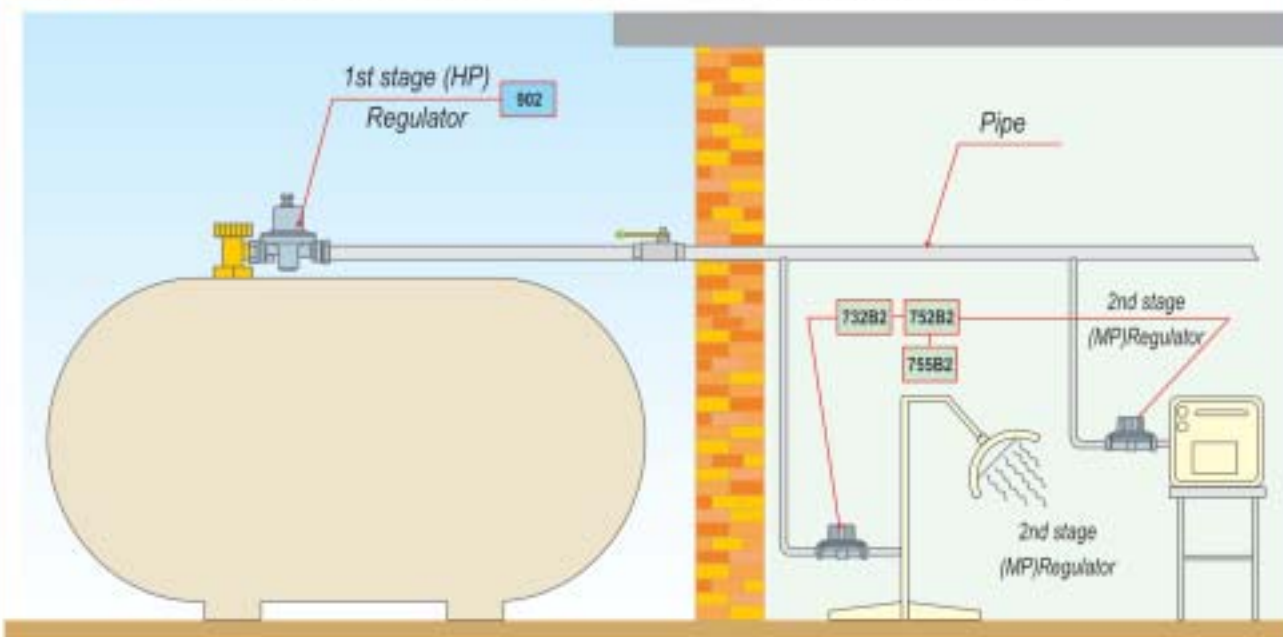


STORAGE VESSEL (TANK) INSTALLATIONS

S-03 1st HIGH PRESSURE REGULATOR+ 2nd STAGE MEDIUM PRESSURE REGULATORS



S-04 1st HIGH PRESSURE REGULATOR+ 2nd STAGE MEDIUM PRESSURE REGULATORS



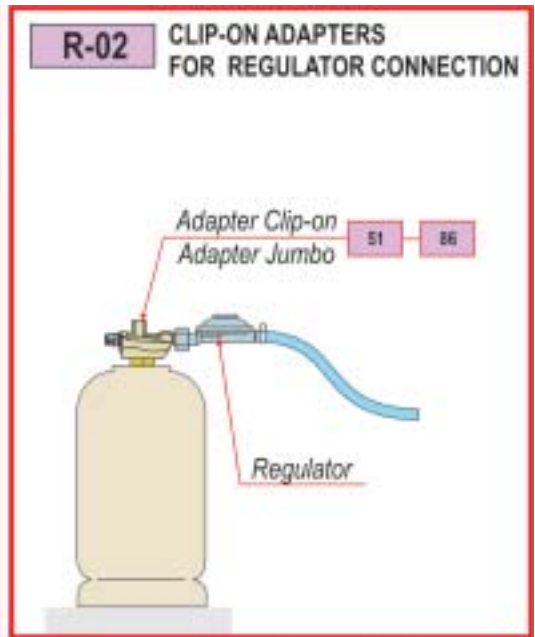
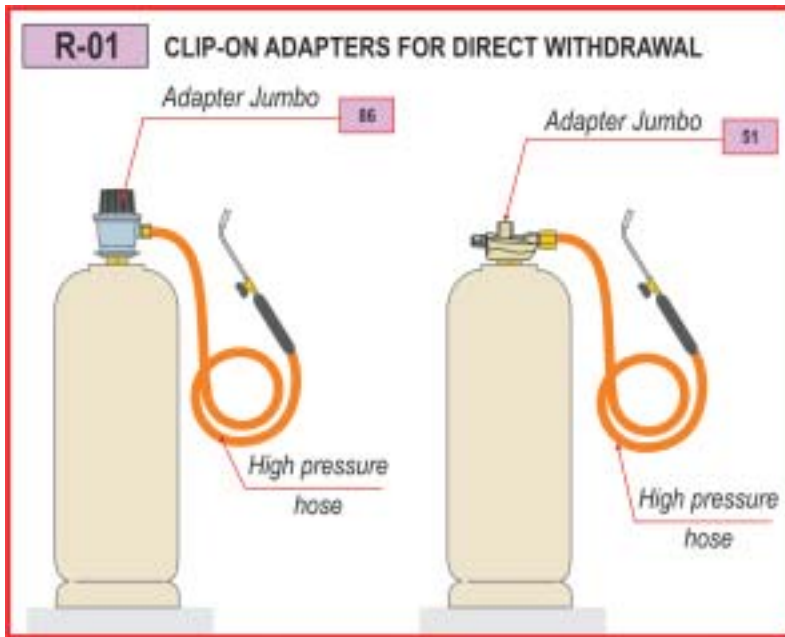


TYPE OF ADAPTER INSTALLATIONS

INSTALLATION SYSTEMS



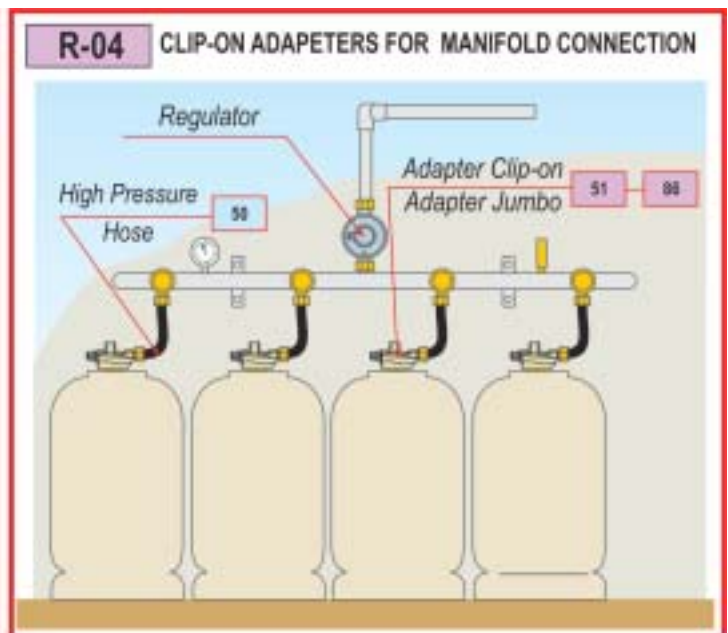
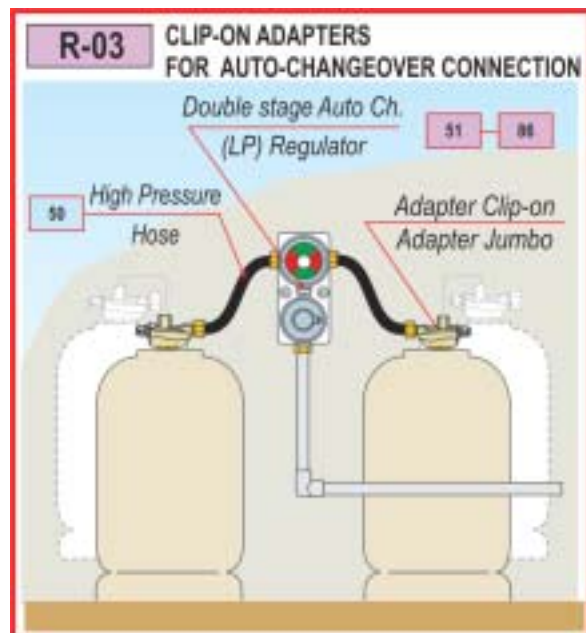
SINGLE CYLINDER INSTALLATIONS



TWO OR MORE CYLINDERS, SERVICE/RESERVE, INSTALL.



MULTI-CYLINDERS/SIMULTANEOUS WITHDRAWAL INSTALLATIONS





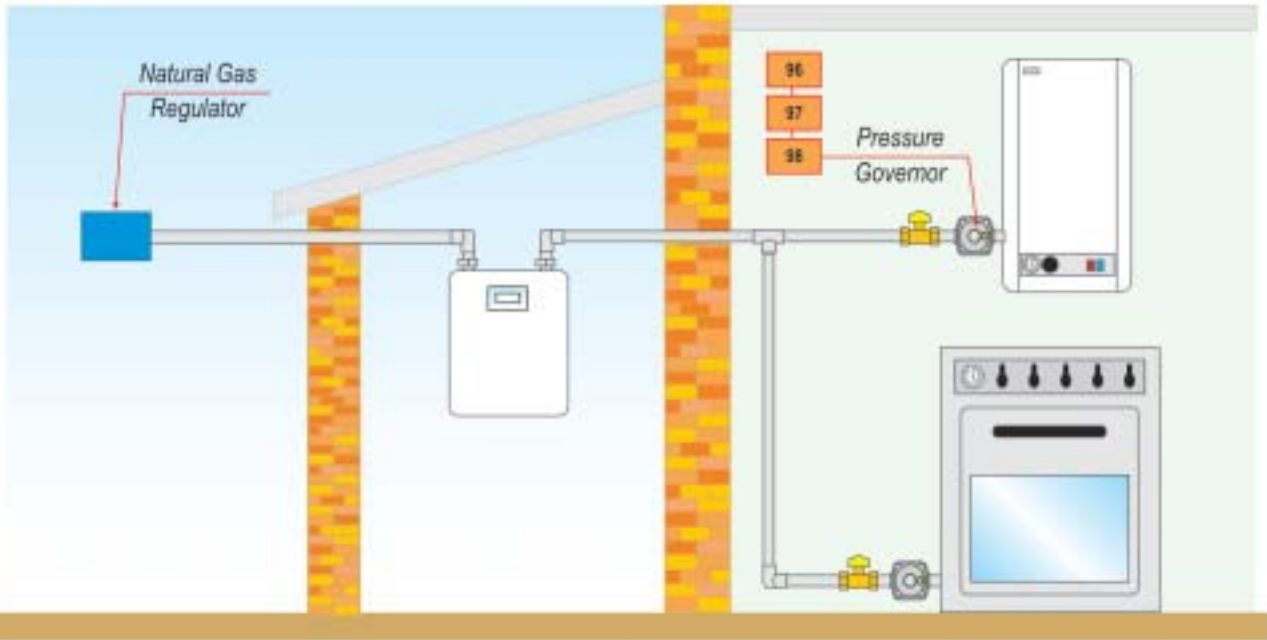
TYPE OF NATURAL GAS INSTALLATIONS

INSTALLATION SYSTEMS

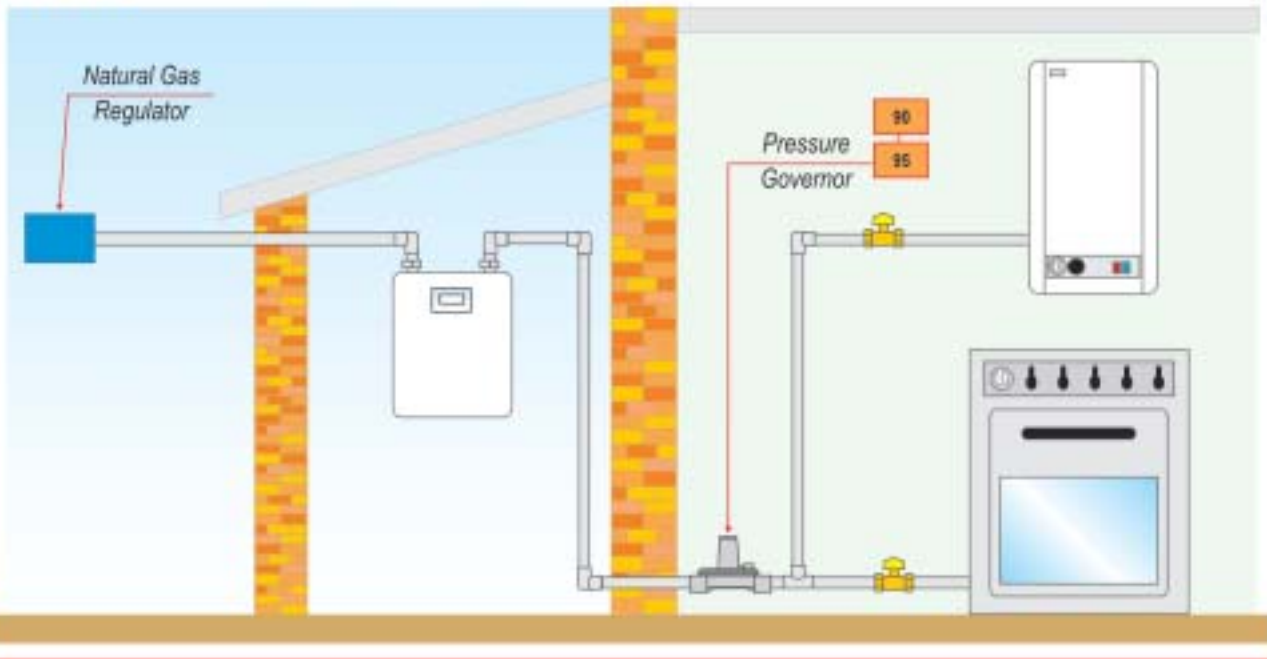


NATURAL GAS PRESSURE GOVERNORS INSTALLATIONS

N-01 PRESSURE GOVERNORS (GAS APPLIANCES PRESSURE REGULATORS)



N-02 PRESSURE GOVERNORS (LINE PRESSURE REGULATORS)

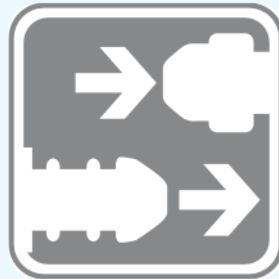




CAVAGNA group
Advanced Solutions for Gas Control

LPG & NATURAL GAS REGULATORS DIVISION

Part D

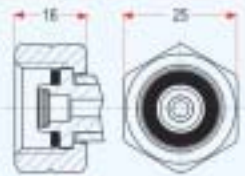
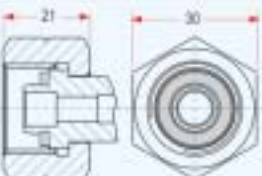
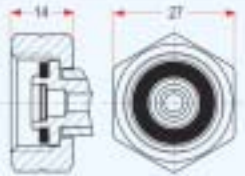
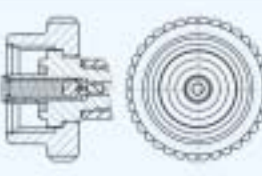
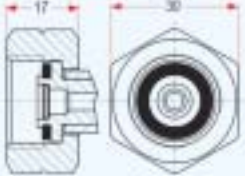
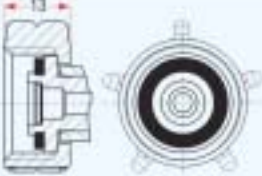
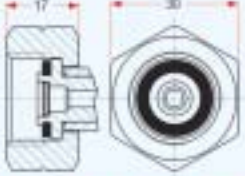
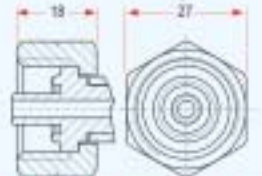
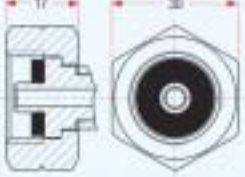
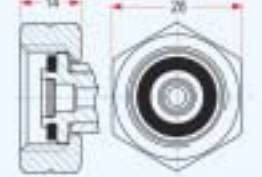
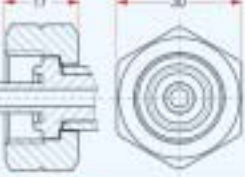
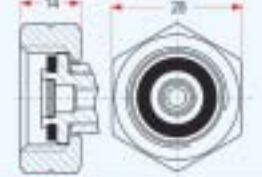
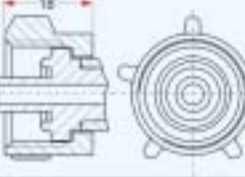
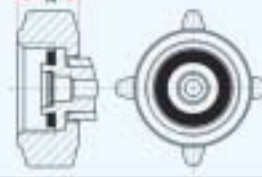
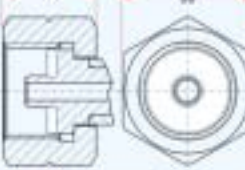
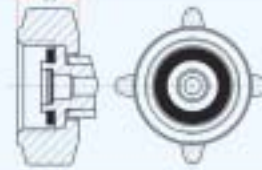


INLET AND OUTLET CONNECTIONS

REGULATOR INLET CONNECTIONS

 INLET AND OUTLET
CONNECTIONS

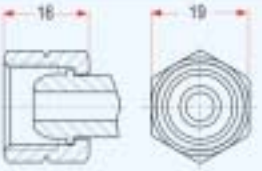
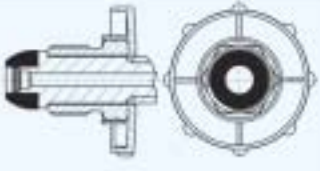

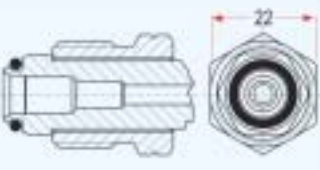
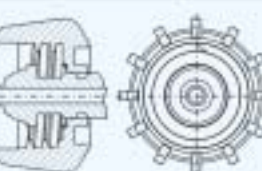
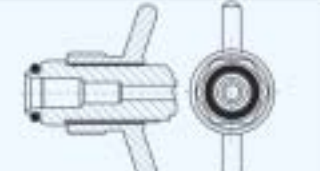
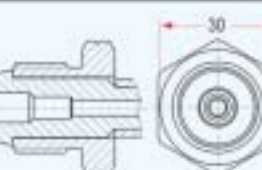
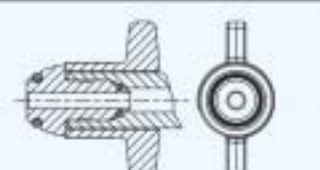
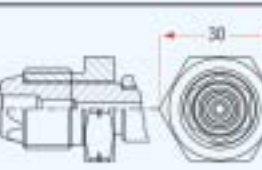
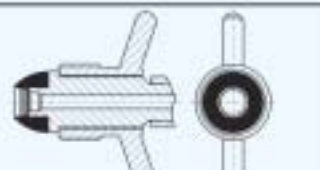
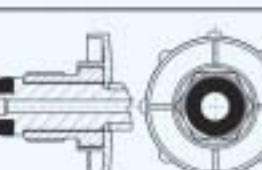
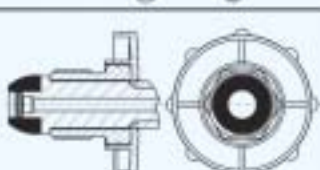
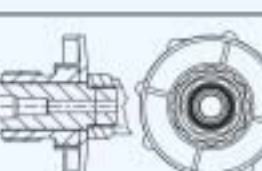
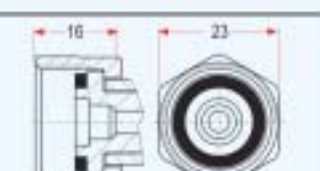
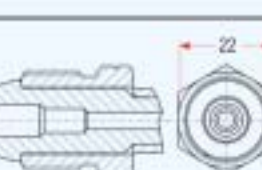
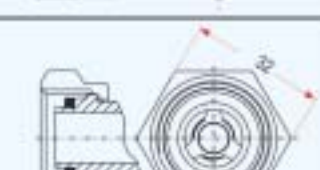
TABLE A- NUT INLET CONNECTIONS

A01		W 20 X 1/14" L.H. CH 25	A09		GROSSE FLASCHE W 21,8 X 1/14" L.H. CH 30
A02		W 21,8 X 1/14" L.H. CH 27	A10		FEST W 21,8 X 1/14" L.H. Hand tightened
A03		W 21,8 X 1/14" L.H. CH 30	A11		Ø 21,8 X 1,814 L.H. Hand tightened - FR
A04		Ø 21,8 X 1,814 L.H. CH 30- UK	A12		KLEINE FLASCHE PL W 21,8 X 1/14 L.H. CH27
A05		KOMBI NL W 21,8 X 1/14" L.H. CH 30	A13		W 22,4 X 1,9 L.H. CH 28
A06		KLEINE FLASCHE - BE W 21,8 X 1/14" L.H. CH 30	A14		Ø 21,8 X 1,814 L.H. CH 28
A07		KLEINE FLASCHE W 21,8 X 1/14 L.H. Hand tightened	A15		G ½ L.H. Hand tightened
A08		KOMBI DE W 21,8 X 1/14" L.H. CH 30	A16		Ø 21,8 X 1,814 L.H. Hand tightened - BE

REGULATOR INLET CONNECTIONS

INLET AND OUTLET
CONNECTIONS

TABLE A- NUT INLET CONNECTIONS

A17		G 3/8 L.H. CH 19	A25		0,880" 14 NGO L.H. POL SOFT Hand tightened
A18		W 22,1 X 1/22" L.H. Hand tightened	A26		0,880" 14 NGO L.H. POL O-Ring CH 22
A19		ACME Hand Tightened	A27		0,880" 14 NGO L.H. WINGH NUTS O-Ring
A20		G 5/8 - L.H. CH 30 POL-BRASS	A28		0,880" 14 NGO L.H. WINGH NUTS Zama O-Ring
A21		G 5/8 - L.H. CH 30 POL O-Ring	A29		0,880" 14 NGO L.H. WINGH NUTS POL SOFT
A22		G 5/8 - L.H. POL SOFT Hand tightened	A30		M 22 X 1,5 L.H. POL SOFT Hand tightened
A23		G 5/8 - L.H. POL O-Ring Hand tightened	A31		M 20 X 1,5 CH 23
A24		0,880" 14 NGO L.H. US POL BRASS	A32		G 3/4 L.H. CH 23

REGULATOR INLET CONNECTIONS

INLET AND OUTLET
CONNECTIONS


TABLE B- CLIP-ON INLET CONNECTIONS

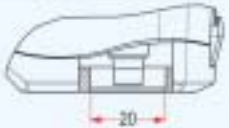


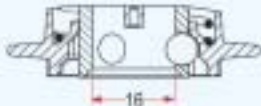

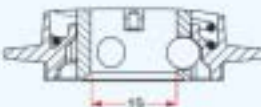

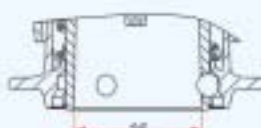






B01		CLIP-ON Ø 20 mm	B05		CLIP-ON BAYONET
B02		CLIP-ON Ø 21 mm	B06		CLIP-ON Ø 16 mm
B03		CLIP-ON Ø 22 mm	B07		CLIP-ON Ø 19 mm
B04		CLIP-ON Ø 27 mm	B08		CLIP-ON Ø 35 mm

TABLE C- DIRECT INLET THREADED CONNECTIONS - CAMPING SYSTEM

C01		MALE M 16 X 1,5	C04		MALE M 14 X 1,5 Hand tightened
C02		MALE M 16 X 1,5 Hand tightened	C05		CGA 600
C03		MALE M 14 X 1,5	C06		FEMALE 7/16"

REGULATOR INLET CONNECTIONS

INLET AND OUTLET
CONNECTIONS



TABLE D- INLET CONNECTIONS - THREADED FEMALE

















D01		FEMALE 1/4" NPT	D07		FEMALE 3/4" NPT
D02		FEMALE G 1/4 L.H.	D08		FEMALE G 3/4 L.H.
D03		FEMALE 3/8" NPT	D09		FEMALE G 1" L.H.
D04		FEMALE G 3/8 L.H.	D10		FEMALE G 1 L.H.
D05		FEMALE 1/2" NPT	D11		FEMALE 1/4 Inverted Flare
D06		FEMALE G 1/2 L.H.	D12		

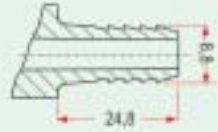

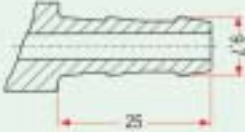
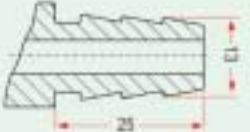
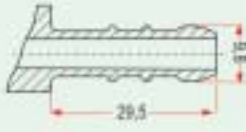
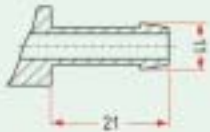
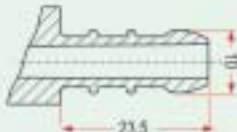


TABLE E- INLET CONNECTIONS - THREADED MALE

E01		MALE G 3/8 L.H.	E04		MALE M 20 X 1,5
E02		MALE G 1/2 L.H.	E05		MALE W 20 X 1/14 L.H.
E03		MALE G 3/4 L.H.			

REGULATOR OUTLET CONNECTIONS

 INLET AND OUTLET
CONNECTIONS

TABLE F- HOSE NOZZLE OUTLET CONNECTIONS



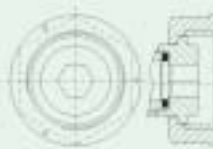
F01		HOSE NOZZLE Ø 8,8 mm	F06		HOSE NOZZLE Ø 12 mm
F02		HOSE NOZZLE Ø 9,7 mm	F07		HOSE NOZZLE Ø 13 mm
F03		HOSE NOZZLE Ø 9,8 mm	F08		HOSE NOZZLE Ø 6,5 mm SMOOTH HP
F04		HOSE NOZZLE Ø 10 mm	F09		HOSE NOZZLE Ø 8,2 mm - HP
F05		HOSE NOZZLE Ø 11 mm			

REGULATOR OUTLET CONNECTIONS

INLET AND OUTLET
CONNECTIONS




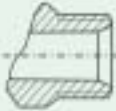





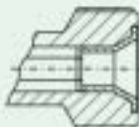
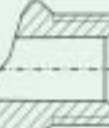





TABLE G- OUTLET CONNECTIONS - THREADED FEMALE

G01		FEMALE 1/4" NPT	G07		FEMALE 3/4" NPT
G02		FEMALE G 1/4 L.H.	G08		FEMALE G 3/4 L.H.
G03		FEMALE 3/8" NPT	G09		FEMALE G 1" NPT
G04		FEMALE G 3/8 L.H.	G10		FEMALE G 1 L.H.
G05		FEMALE 1/2" NPT	G11		FEMALE M 16 X 1,5
G06		FEMALE G 3/8 L.H.	G12		FEMALE G 7/8 - CH35

REGULATOR OUTLET CONNECTIONS

 INLET AND OUTLET
CONNECTIONS

TABLE H- OUTLET CONNECTIONS - THREADED MALE

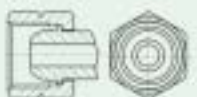
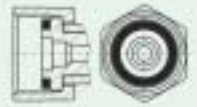

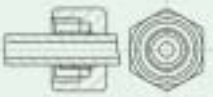

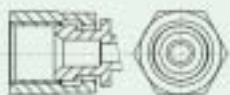
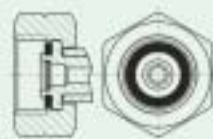
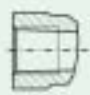
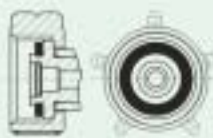
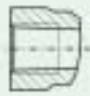
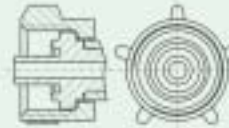

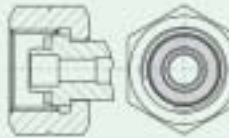

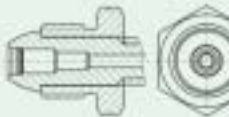
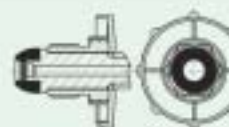
H01		MALE 1/4" NPT	H08		MALE 9/16" - 18 UNF L.H.
H02		MALE G 1/4" L.H.	H09		MALE W 20 X 1/14 L.H.
H03		MALE 3/8" NPT	H10		MALE W 21,8 X 1/14 L.H.
H04		MALE G 3/8" L.H.	H11		MALE W 22 X 1/22 L.H.
H05		MALE G 1/2" L.H.	H12		MALE M 10 X 1
H06		MALE G 3/4" L.H.	H13		MALE Ø 21,8 X 1/14 L.H.
H07		MALE M 20 X 1,5	H14		MALE 1/8" NPT

HOSE CONNECTIONS

INLET AND OUTLET CONNECTIONS



TABLE T- HOSES CONNECTIONS

T01		G 1/4 L.H. CH 17	T10		M 20 X 1,5 CH 23
T02		G 3/8 L.H. CH 19	T11		G 1/4 COMP.
T03		W 20 X 1/14\" L.H. CH 25	T12		JIC 1/4\" L.H.
T04		Ø 21,8 X 1,814 L.H. CH 30- UK	T13		FEMALE 1/4\" NPT
T05		Ø 21,8 X 1,814 L.H. Hand tightened - FR	T14		FEMALE G 1/4 L.H.
T06		KLEINE FLASCHE W 21,8 X 1/14 L.H. Hand tightened	T15		MALE W 21,8 X 1/14 L.H.
T07		GROSSE FLASCHE W 21,8 X 1/14\" L.H. CH 30	T16		MALE 1/4\" NPT
T08		G 5/8 - L.H. CH 30 POL-BRASS	T17		
T09		0,880\" 14 NGO L.H. POL SOFT Hand tightened	T18		