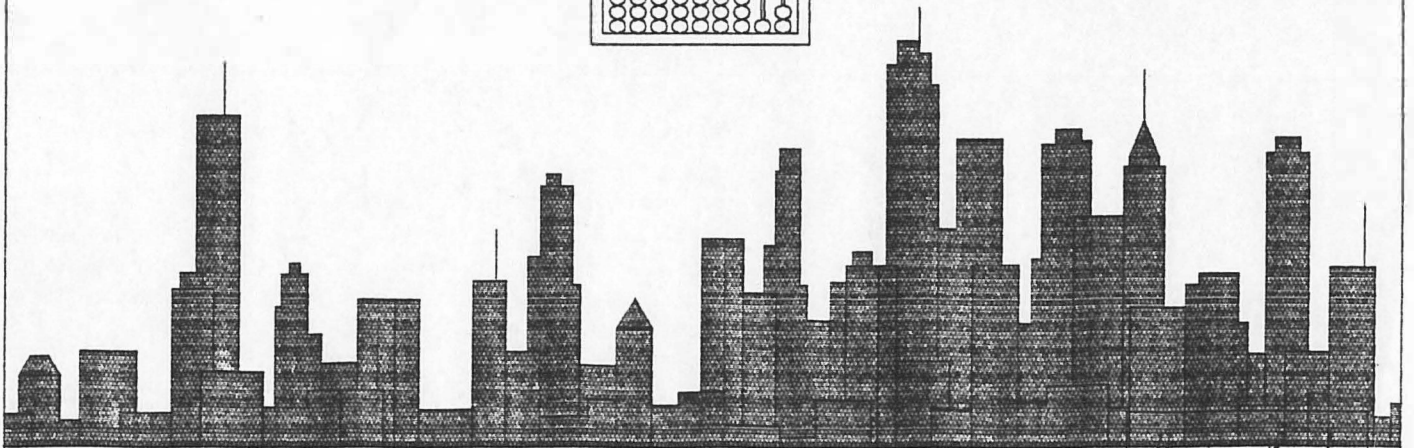
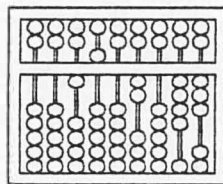
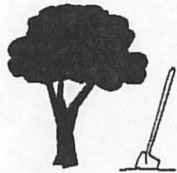
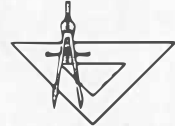
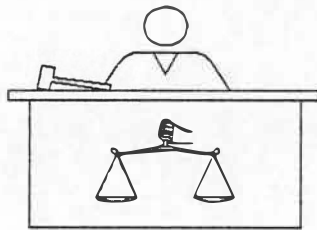
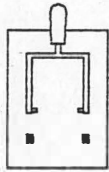


The Murphy

Landy Heritage



YONKERS

Marion Landy
November, 1989

THE MURPHY - LANDY HERITAGE

TABLE OF CONTENTS

	PAGE
THE DESCENDANTS OF MARY (MARION) LILLIAN LANDY	1
PEDIGREE OF JOHN BERCHMAN LANDY	4
THE ANCESTORS OF JOHN BERCHMAN LANDY	
GENERATION 50	5
GENERATION 49	6
GENERATION 48	8
GENERATION 47	13
GENERATION 46	15
NOTES & REFERENCES	16
INDEX OF ALL THE CHARACTERS INVOLVED	17
THE STATISTICS (VERY INCOMPLETE)	19
ANCESTORAL FAMILIES	APPENDIX A
Explanation & Code Structures	1
HOGAN	2
BRODIE	2
MURPHY	3
BRENNAN	4
HEAD	4
LANDY	5
RED LETTER DAYS	APPENDIX B
BIRTHDAYS & ANNIVERSARIES	1

THE DESCENDANTS OF MARY (MARION) LILLIAN LANDY

1

Prepared by: Marion Landy - Altamonte Spg , Florida

FIRST GENERATION

1. John Berchman¹ Landy, son of Matthew Aloysius Landy and Mary (Marion) Lillian Murphy. Born, 17 Jun 1933, in Yonkers, NY. Residence in 406 Shelby Ct, Apopka, FL. Military in US Army, Europe, 1956-1962. University: 1956, in Manhattan Col, Manhattan, NY. Occupation: Executive. Born at St John's Riverside Hospital. Currently a retired Human Resources Executive.

He married Jean Teresa McNeill, daughter of Daniel McNeill and Irene Anspate, 12 Sep 1959, in St Nicholas, Parsons Blvd, Jamaica, NY. Born, 20 Dec 1933, in Greenpoint Ave, Brooklyn, NY. Occupation: Office Mngr. Children:

- i. Brendan Thomas² Landy. Born, 8 Oct 1960, in Yonkers General, Yonkers, NY. Residence in Lake Worth, FL. University: 1983, in Univ of Mass, Amherst, MA. He married Rhonda Bottolfson, 14 Sep 1985, in St Josephs, MO. Tom's godparents are Gerald McNeill and Eileen (Landy) Beairsto. Born on a Saturday and graduated from Sparta High School in Sparta, NJ. Graduated in Sports Administration from the University of Massachusetts. He is currently employed as an Assistant Manager of the Auditorium/Stadium in West Palm Beach, FL.
- ii. John Matthew Landy. Born, 8 Dec 1961, in Yonkers General, Yonkers, NY. John's godparents are Matthew A Landy and Clare (Landy) Holmes. Born on a Friday and baptised by Father James Landy on 12/31/1961 at Sacred Heart Church in Yonkers, NY. Graduated from Sparta High School, Sparta, NJ. Attended some college at Eastern Tennessee University in Johnson City, TN. Currently works as Store Manager in the Blockbuster Video Store in Orlando, FL.
- iii. Barbara Jean Landy. Born, 29 Apr 1964, in Mountainside Hos, Glenridge, NJ. Residence in Hattiesburg, MS. University: 1985, in Univ So. Miss., Hattiesburg, MS. Occupation: Teacher. She married Patrick Farrell, son of Warren Farrell, 20 May 1989, in Annunciation, Altamonte Spgs, FL. Barbara's godparents are Raymond Beairsto and Clare (Flanagan) McNeill. Born on a Wednesday. She received a BS in Education and currently works in the field of Special Education in Hattiesburg, MS public schools.
- iv. Kenneth Michael Landy. Born, 23 Jan 1967, in Valley Hosp, Ridgewood, NJ. Residence in Apopka, FL. Ken's godparents are Gilbert M Landy and Eileen (?) Landy. Currently employed as an Int'l Currency Trader at Barnett Bank/ Central Florida.

Prepared by: Marion Landy - Altamonte Spg , Florida

FIRST GENERATION

1. Cecelia Eileen¹ Landy, daughter of Matthew Aloysius Landy and Mary (Marion) Lillian Murphy. Born, 2 Feb 1936, in St Johns Hosp, Yonkers, NY. Residence in Winter Springs, FL. University: 1958, in Mary Mount Col, NYC. Occupation: Housewife. Born at St John's Riverside Hospital. After graduation from Sacred Heart HS in Yonkers, she went on to a Bachelors Degree in Education (1958) at Mary Mount College in NYC.

She married, first, J Raymond Beairsto, 27 Jun 1959, in Sacred Heart, Yonkers, NY. Divorce, after 1968. Children:

- i. Deborah Jean² Beairsto. Born, 7 Aug 1960. Currently employed as Office Manager for the Ursula Sunshine Society, Castleberry, FL.
- ii. Kevin Matthew Beairsto. Born, 17 Nov 1961. Residence in Fort Lauderdale, FL.
- iii. Timothy Raymond Beairsto. Born, 19 Oct 1963. Retail Store Manager for Mobil Oil Co.
- iv. Clifford James Beairsto. Born, 8 May 1964. University in Clarkson Col, NY. Occupation: Engineer.
- v. Kelly Anne Beairsto. Born, 27 Sep 1968. University in Seminole Com Col, Lake Mary, FL.

She married, second, Gerald Rogers. Residence in Winter Springs, FL. Military: 1945, in US NAVY Seabees, World War II, South Pacific. Retired electrician.

Prepared by: Marion Landy - Altamonte Spg , Florida

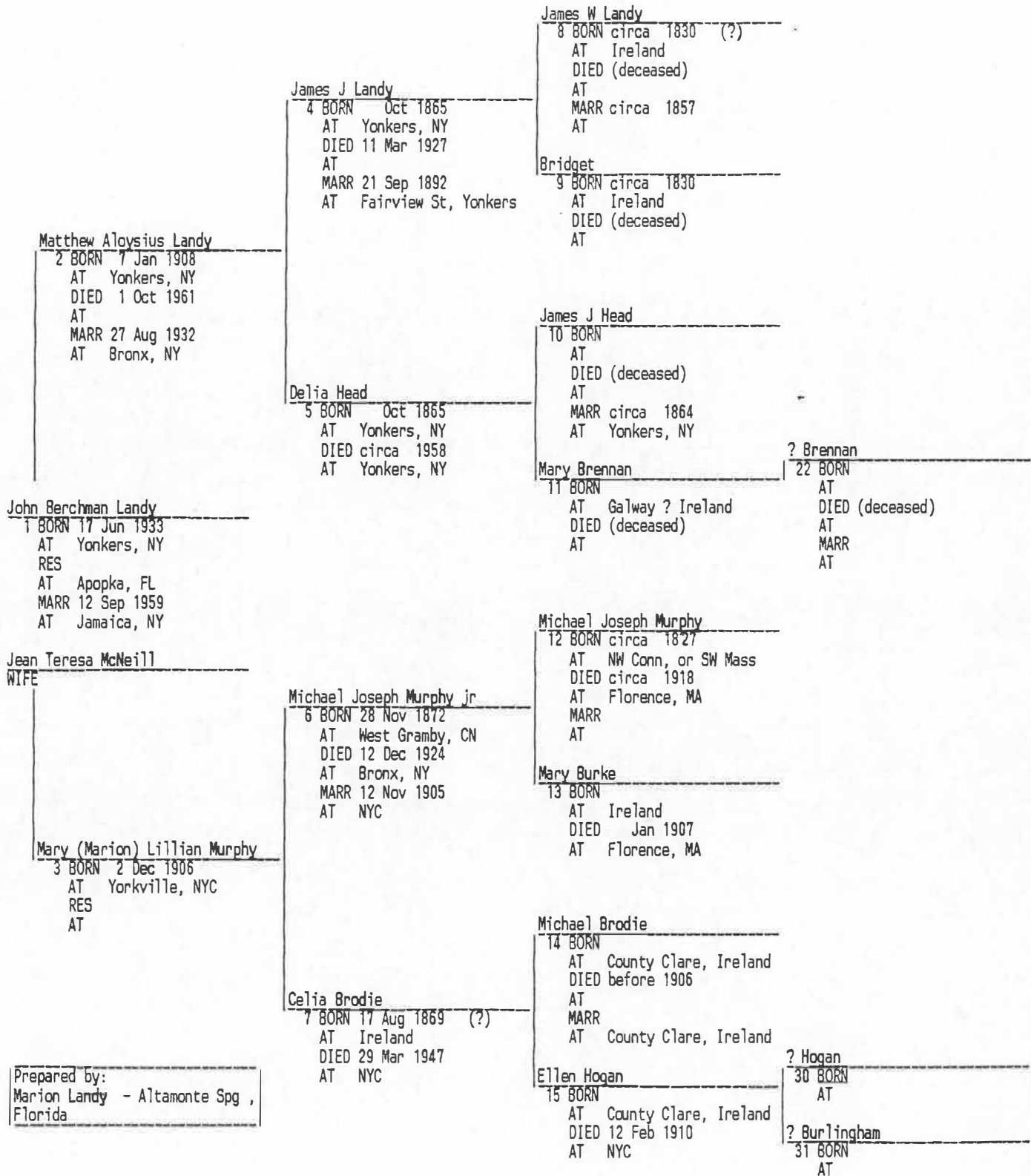
FIRST GENERATION

1. Matthew Aloysius¹ Landy jr, son of Matthew Aloysius Landy and Mary (Marion) Lillian Murphy. Born, 1 Aug 1937, in Yonkers, NY. Residence in Yonkers, NY. Military in US NAVY. University in Iona College, New Rochelle, NY. Born at St John's Riverside Hospital. Education included Manhattan Prep, a Bachelor's degree from Manhattan College in NYC, and a Masters Degree from Iona College, in New Rochelle, NY. He is currently employed as Vice President - Finance for Save The Children Foundation of Westport, CN.

He married Patricia A Devine, daughter of James Devine and Eleanor ?, before 1963, in Immaculate Conc, Tuckahoe, NY.
Occupation: Nurse. Children:

- i. Mark Joseph² Landy. Born, Mar 1964, in St Vincent's Hos, NYC. Occupation: Sr Programmer. Works for Nynex Info Resources.
- ii. Maureen Landy. Born, 7 Jun 1965, in St Vincent's Hos, NYC. Residence in Yonkers, NY. University in Manhattan Col, Manhattan, NY. Occupation: School Teacher.
- iii. Matthew Aloysius Landy III. Born, 17 Dec 1966, in St Vincent's Hos, NYC. Residence in Yonkers, NY. University in NY State Univ, Albany, NY. Occupation: Policeman.
- iv. Diedre Landy. Born, 24 Apr 1970. University in Manhattan Col, Manhattan, NY.
- v. James Landy. Born, 13 Apr 1974, in St Johns Hosp, Yonkers, NY. Residence in Yonkers, NY. University in Fordham Prep.

THE PEDIGREE OF JOHN BERCHMAN LANDY



Prepared by: Marion Landy - Altamonte Spg , Florida

FIRST GENERATION

1. John Berchman¹ Landy (Matthew Aloysius², James J³, James W⁴). Born, 17 Jun 1933, in Yonkers, NY. Residence in 406 Shelby Ct, Apopka, FL. Military in US Army, Europe, 1956-1962. University: 1956, in Manhattan Col, Manhattan, NY. Occupation: Executive. Born at St John's Riverside Hospital. Currently a retired Human Resources Executive.

He married Jean Teresa McNeill, daughter of Daniel McNeill and Irene Anspate, 12 Sep 1959, in St Nicholas, Parsons Blvd, Jamaica, NY. Born, 20 Dec 1933, in Greenpoint Ave, Brooklyn, NY. Occupation: Office Mngr. Children:

- i. Brendan Thomas Landy. Born, 8 Oct 1960, in Yonkers General, Yonkers, NY. Residence in Lake Worth, FL. University: 1983, in Univ of Mass, Amherst, MA. He married Rhonda Bottolfson, 14 Sep 1985, in St Josephs, MO. Tom's godparents are Gerald McNeill and Eileen (Landy) Beairsto. Born on a Saturday and graduated from Sparta High School in Sparta, NJ. Graduated in Sports Administration from the University of Massachusetts. He is currently employed as an Assistant Manager of the Auditorium/Stadium in West Palm Beach, FL.
- ii. John Matthew Landy. Born, 8 Dec 1961, in Yonkers General, Yonkers, NY. John's godparents are Matthew A Landy and Clare (Landy) Holmes. Born on a Friday and baptised by Father James Landy on 12/31/1961 at Sacred Heart Church in Yonkers, NY. Graduated from Sparta High School, Sparta, NJ. Attended some college at Eastern Tennessee University in Johnson City, TN. Currently works as Store Manager in the Blockbuster Video Store in Orlando, FL.
- iii. Barbara Jean Landy. Born, 29 Apr 1964, in Mountainside Hos, Glenridge, NJ. Residence in Hattiesburg, MS. University: 1985, in Univ So. Miss., Hattiesburg, MS. Occupation: Teacher. She married Patrick Farrell, son of Warren Farrell, 20 May 1989, in Annunciation, Altamonte Spgs, FL. Barbara's godparents are Raymond Beairsto and Clare (Flanagan) McNeill. Born on a Wednesday. She received a BS in Education and currently works in the field of Special Education in Hattiesburg, MS public schools.
- iv. Kenneth Michael Landy. Born, 23 Jan 1967, in Valley Hosp, Ridgewood, NJ. Residence in Apopka, FL. Ken's godparents are Gilbert M Landy and Eileen (?) Landy. Currently employed as an Int'l Currency Trader at Barnett Bank/ Central Florida.

SECOND GENERATION

2. Matthew Aloysius² Landy (James J³, James W⁴). Born, 7 Jan 1908, in 16 Convent Ave, Yonkers, NY. Died, 1 Oct 1961. Burial in St Marys Cem, Yonkers, NY. Occupation: Electrician. Matt and Marion were married at St Jerome's Church, 138th street and Alexander Ave in the Bronx. Gilbert M Landy was the best man and Catherine Duffy was the maid-of-honor. Matt belonged to the electrician's union local # 50 in White Plains, NY. Matt died of a heart attack.

Newspaper Clipping - STATESMAN - October 2, 1961

MATTHEW A LANDY
 Brother of Judge Nominee

Matthew A Landy, 53, an electrician, died unexpectedly yesterday afternoon at his home at 38 Tower Place. Yonkers born January 7, 1908, he was a son of the late James and Delia Head Landy, and attended Sacred Heart School and Manhattan Preparatory School. He was married to the former Marion Murphy in 1932. Mr Landy was a parishioner of The Monastery Church of the Sacred Heart. Surviving besides his wife are two sons, John B and Matthew A Landy Jr; a daughter, Mrs J Raymond (Eileen) Beairsto; a sister, Sister M Gilberta, CSA, stationed at Altoona, PA; a brother, Gilbert M Landy, Republican candidate for city judge; and two grandchildren.

He married Mary (Marion) Lillian Murphy (3), 27 Aug 1932, in Bronx, NY. Children:

- i. John Berchman¹ Landy.
- ii. Cecelia Eileen Landy. Born, 2 Feb 1936, in St Johns Hosp, Yonkers, NY. Residence in Winter Springs, FL. University: 1958, in Mary Mount Col, NYC. Occupation: Housewife. She married, first, J Raymond Beairsto, 27 Jun 1959, in Sacred Heart, Yonkers, NY. Divorce, after 1968. She married, second, Gerald Rogers. Born at St John's Riverside Hospital. After graduation from Sacred Heart HS in Yonkers, she went on to a Bachelors Degree in Education (1958) at Mary Mount College in NYC.
- iii. Matthew Aloysius Landy jr. Born, 1 Aug 1937, in Yonkers, NY. Residence in Yonkers, NY. Military in US NAVY. University in Iona College, New Rochelle, NY. He married Patricia A Devine, daughter of James Devine and Eleanor ?, before 1963, in Immaculate Conc, Tuckahoe, NY. Born at St John's Riverside Hospital. Education included Manhattan Prep, a Bachelor's degree from Manhattan College in NYC, and a Masters Degree from Iona College, in New Rochelle, NY. He is currently employed as Vice President - Finance for Save The Children Foundation of Westport, CN.

3. Mary (Marion) Lillian² Murphy (Michael Joseph jr³, Michael Joseph⁴). Born, 2 Dec 1906, in Yorkville, NYC. Baptism in Good Counsel, E 90th, NYC.

RESIDENCY RECORDS:

1906 - 1917 243 East 87th Street (Yorkville Section) Manhattan, NYC

1917 - 1923 16 Van Ness Avenue (Williamsbridge Section) Bronx, NYC

816 South Oak Drive, Bronx, NYC. Moved to this address to make it easier for Mike Murphy to get to work. (Michael) Father died from this address. He had attended brothers funeral in Mass. & upon returning to NY began feeling badly - after seeing MD, began treatment for heart disease - CHF - died.

725 St Anns Avenue, Bronx, NYC. Moved here for purpose of making it easier to travel back and forth into Manhattan - with only approximately \$1200 left Celia (Mother) and Marion were forced to go to work. 2-3 months stay at this location.

204 Alexander Avenue, Bronx, NYC. Moved here because of dissatisfaction with previous accomodations and neighborhood.

- 1930 239 East 139th Street, Bronx, NYC. Lived here when introduced to future husband.

1930 - 1932 225 Alexander Avenue, Bronx, NYC. Married from this address in August of 1932.

SCHOOL RECORDS:

1913 - 1919 Attended Public School # 7, 88th Street and 3rd Avenue, NYC. Left this school at age 10/11, probably 5th/6th grade. Hospitalized for several months with Pneumonia/Pluresy.

SECOND GENERATION

1919 - 1920 P S #?

1921 - 1925 Evander Childs High School - 3 1/2 years full time - returned to Evander at night Spring Term 1926 - did not receive Diploma.

Merchant/Bankers Business School - completed business training program in the evening. The school was at 59th street on the East side.

EMPLOYMENT HISTORY:

1925 - Started at Metropolitan Life Insurance Company right after Father's death as Actuarial Clerk. Promoted to Classifier, then to Team Leader supervising 12 women. A co-worker, Frances (Ahern) Bennett was a first cousin of husband to be. After an introduction, a two year courtship was followed by marriage in August of 1932.

Conversation, at St. Mary Magdalen Adult Day Care Center, Oct. 89, with Mary Lillian (Marion), age 83, about her life.

When little, I played with paper dolls, roller skated, and took piano lessons, which I didn't like. At about seven or eight years of age, I received a porcelain faced doll at Xmas, with golden curls, which I called "Lillian". Mother put this doll away each year, and brought it out again at Xmas - a rocking chair went with this doll - I could play with the chair throughout the year, but not the doll. Mother made a rag doll by surrounding the head of a clothespin with material, making a face, and letting the rest of the material drop. I played with these kinds of dolls during the year. Other children had similar dolls made in the same way.

When about twelve years old on Sat. or Sun. afternoons, we often went to the movies in the Bronx, to watch the Tom Mix Serials.

I often spent a month or so in Florence Massachusetts with relatives in the summertime. I and cousin Eddie found things to entertain our selves, like for instance, we would gather frogs in the daytime in an old coffee can, and then let them out on the porch in the evening, where the older girl cousins were entertaining boyfriends with lemonade, cookies, and spooning. - Another time Eddie had asked me to climb on the fence to the pig pen, which I did, and then he pushed me off and into the pen!

I walked to Public school in the younger grades, and took a trolley in H.S. Friday afternoons in the Bronx school in the gym, the teacher tried to get boys and girls to dance, and the boys didn't like it.

For entertainment we had dances in High School once in a while - Churches had shows and dances once a year as money makers. Political clubs had dances. I liked doing the Charleston. We often times used the victrola with the logo of the black and white dog.

I met my husband in Yonkers while I was spending a weekend with a girl friend from work. We dated two years before we were married.

One incident that still causes much laughter, was losing my teeth at 9:30a.m. one morning, and racing all over to get a new pair, in order to sail on a scheduled cruise at 2:30 in the afternoon. Involved so many people, cars and telephone calls.

Another incident concerned my mother-in-law, who lived at 16 Convent Ave. Yonkers (convent across the street). She owned a lot behind her and to the side of her house. She had a three story house built on that lot - the new house blocked the light from her neighbors house, and the neighbor became very angry - so much so, that she laid a curse on my mother-in-law, and on her family, and all descendents.

After raising my family I started back to work in 1957 in the census bureau (Yonkers N.Y. - post office bldg. - Main St.) - then back to being a housewife - 1967 back to work at Cornet Fluids Inc., Flooring Contractor, and finally as the Financial Director for HUD, (Proctor Bldg. - south Broadway) where I retired in Feb. 73.

She married Matthew Aloysius Landy (2).

THIRD GENERATION

4. James J³ Landy (James W⁴). Born, Oct 1865, in Yonkers, NY. Died, 11 Mar 1927. Occupation: Machinist. Educated St Mary's/St Josephs (?) Yonkers, NY. - He was the Plant Superintendant at the Saunders Tool & Die Works which was located down by the Yonkers waterfront.

1900 census - 16 Convent Ave, Yonkers, Westchester County, NY - Machinist

NEWSPAPER CLIPPING - The Monastery News - January 27, 1980 - p4

===== THE LANDY'S =====

° FROM GENERATION TO GENERATION °

=====by Irene Hickey =====

On the 21st day of September 1892 two young people stood before the altar at Sacred Heart Church and were joined in marriage by the Reverend P. Casimir Lutfring, O. F. M., Cap. These two people were James Landy and Delia Head - the marriage was performed in the presence of their best man, Edward Enright, and maid-of-honor, Mary Head - their families and friends joined with them to witness the sacrament of matrimony. As they pronounced their vows, little did they know what the future would hold for them - only that their faith and love would see them have a good marriage

In the next 15 years, there would be 10 children born to them, 8 boys and 2 girls. As the children were born, each was brought to Sacred Heart and baptised in the faith. As the children grew they participated in all church activities - all the boys served as altar boys at Sacred Heart and at the mission church of St Anthony's at Nepera Park; they also became active in Holy Name, ushers and served on various building committees. As the children grew older, they began to seek their own ways in life. The two girls, Mary Irene and Florence, would become Agnesian sisters - Mary Irene would take the name Sr. Odelia and Florence would become Sr. Gilberta. Both were professed at Fond-du-lac, WI. Sr. Gilberta, the only surviving child, is stationed there today. Francis Emmet Landy became an embalmer and undertaker and worked for various funeral homes throughout the city. He was often seen in his black panel wagon which was known as the "black maria". John Berchmans Landy found his place in life at Boyce Thompson Institute where for many years he worked as a botanist, growing and cultivating plants. Joseph Stephen Landy and Henry Sylvester died in early childhood. Richard Edgar was ordained a priest of the Dominican Order in Washington, D.C., on June 13, 1935. He became known as Fr. Regis Landy and celebrated his first solemn Mass at Sacred Heart on June 15, 1935. With the exception of Fr. Edgar, all were buried from Sacred Heart. Fr. Edgar died during the blizzard of '47 and his funeral Mass was at St Vincent Ferrer Church in New York City.

James Landy, Jr, married Mary Lonergan and they became the parents of three children; Clare, James G, and Joan - Clare and Joan were married at Sacred Heart. Matthew Aloysius married Mary Murphy and they too became the parents of three; John B, Eileen, and Matthew A Jr. Gilbert Martin Landy married Eileen Halpin at Sacred Heart Church on March 31, 1951 - their marriage was blessed with four children; Gilbert M, Brian R, James J, and Deanne E. All four Landy children were baptised and received the sacraments at Sacred Heart, all went to Sacred Heart School and all graduated from there. James J, his mother and sister still live in Sacred Heart Parish. Gilbert Landy Sr was well known for his rapport with the young people of the city. He was known for his fairness and understanding, but always with a firm hand. His untimely death in 1974 was felt by many - Yonkers had lost one of its finer sons.

If bricks and walls and sidewalks could speak, what stories they could tell - stories of generations - generations of families who were born, raised and died, all in the shadow of the Monastery Church of the Sacred Heart. Let us hope that the Landy generation will always be with Sacred Heart, and so too, other generations of families who have their "roots" here.

He married Delia Head (5), 21 Sep 1892, in Sacred Heart, (Temporary), Fairview St, Yonkers. Children:

- i. Mary Irene² Landy. Born, 15 Jun 1893, in 16 Convent Ave, Yonkers, NY. Died, 1 Nov 1926. Occupation: R Catholic Nun. Final vows as nun at 21 years old. Became Sister Odelia. Died of Tuberculosis.
- ii. James (Jay) J Landy Jr. Born, 16 Aug 1894, in 16 Convent Ave, Yonkers, NY. Died, 1 Aug 1946. Military: 1918, in US Army, World War I. Burial in St Marys Cem, Yonkers, NY. Occupation: Plumber. He married Mary (Mae) Lonergan, 24 Nov 1920, in Sacred Heart, Waterbury, CN. Died of Heart disease.
- iii. John Berchmans Landy. Born, 19 Jul 1896, in 16 Convent Ave, Yonkers, NY. Died, 30 Jul 1926. Military in US Navy, World War I. Burial in St Marys Cem, Yonkers, NY. Occupation: Botanist. Died of Tuberculosis.

THIRD GENERATION

- iv. Florence Landy. Born, 9 Jun 1898, in 16 Convent Ave, Yonkers, NY. Occupation: R Catholic Nun. Final vows as a Roman Catholic Nun of the Sisters Of St Agnes 15 August, 1921. She took the name of Sister Alberta. She was an accomplished violinist and music teacher.
- v. Emmett Landy. Born, 28 Feb 1900, in 16 Convent Ave, Yonkers, NY. Died, 3 Dec 1943. Burial in St Marys Cem, Yonkers, NY. Occupation: Undertaker. Died of Tuberculosis.
- vi. Joseph Stephen Landy. Born, 22 May 1901, in 16 Convent Ave, Yonkers, NY. Died, 15 Jun 1901, in 16 Convent Ave, Yonkers, NY. Burial in St Marys Cem, Yonkers, NY.
- vii. Henry Sylvester Landy. Born, 26 May 1902, in 16 Convent Ave, Yonkers, NY. Died, 24 Aug 1913. Burial in St Marys Cem, Yonkers, NY. Died of injuries sustained in a playground accident while playing with his cousin Jay Head (son of his Uncle James).
- viii. Richard Edgar Landy. Born, 8 Nov 1904, in 16 Convent Ave, Yonkers, NY. Died, 27 Dec 1947. Burial in Holy Innocents, Pleasantville, NY. Occupation: Catholic Priest. Ordained a Roman Catholic Priest in the Dominican Order at St Dominics Cathedral in Washington, DC. His first solemn Mass was at Sacred Heart Church in Yonkers 6/16/1935. He died of Tuberculosis.
- ix. Gilbert Martin Landy. Born, 17 Dec 1906, in 16 Convent Ave, Yonkers, NY. Died, 14 Jan 1974. University in Fordham Univ. Burial in St Josephs Cem, Yonkers, NY. Occupation: Judge. He married Eileen Margaret Halpin, daughter of Raymond Halpin, 13 Mar 1951, in Sacred Heart, Yonkers, NY. He died of Heart Disease at Yonkers Professional Hospital, Yonkers, NY.

Newspaper Clipping - The Herald Statesman - Yonkers, NY - 11/8/1961.

LANDY TRIUMPHS OVER CURRAN IN CITY JUDGE RACE

Asst. Atty. Gen. Gilbert M Landy of 20 Woodland Terrace, Republican won the new third city Judgeship in yesterdays election, defeating City Manager Charles L Curran, the Democratic candidate by polling 40,114 votes to his opponent's 34,462. Mr Landy polled 37,935 votes as the Republican candidate and 2179 on the Liberal Party Line. This was Mr Landy's second quest for the city bench. In 1957, he lost out in a three-cornered race in which city Judge John E Tobin, Democrat, was victorious. Miss Dorthea Genzlinger, an Independent Republican, was credited in political circles with pulling enough votes from Mr Landy to insure Judge Tobins election. Now in his 56th year, Mr Landy is a native of Yonkers and has been an assistant attorney general for the past 17 years.

He won the 3rd, his and Curran's home ward, the 7th, 8th, 9th, 10th, 11th, and 12th Wards. His victory in the 7th was due to the 48 votes he polled on the Liberal line, Mr Curran having outpolled him 1335 to 1301 as Democrat against Republican. He lost the 6th Ward -- where he lived for many years and formerly was Republican Ward leader -- by only 348 votes when his Liberal ballots were added to those he polled as the Republican candidate. Mr Curran won the 1st, 2nd, 4th, 5th, and 6th Wards, making his best showing in the 5th Ward (see CITY JUDGE, Page Thirteen)

Newspaper Clipping -

Yonkers' Third city Judge, Gilbert M Landy, is sworn in by Supreme Court Justice John J Dillon during induction ceremonies of the Yonkers Lawyers Association yesterday at City Hall. Also Joseph A Sinopoli, president of the association, presented Judge Landy with his robe of office.

Newspaper Clipping -

SENIOR CITY JUDGE GILBERT LANDY IS DEAD AT 67

City Judge Gilbert M Landy who has been on the bench here 11 years, died this morning at Yonkers Professional Hospital. He was 67. Landy became senior judge when City Judge John E Tobin died in September. City Judge Robert W Cacace, who will now be senior judge said, "The passing of Judge Landy is a great loss. He was a man of great integrity and a judge of learning and compassion. As senior judge for a short time he was in the process of instituting many reforms in the court such as changing the calendar practice so that all criminal and civil jury trials would emanate from the same part -- this was designed to speed up the calendars." He was also working on various budgetary innovations designed to economize and at the same time increase services provided to the people."

News of Judge Landy's death spread quickly. "I just heard two minutes ago," said fellow City Judge John D'Apice. "I learned he had been taken to the hospital this morning and then two minutes later, Emmett Murphy, the County Clerk, came in and told me he died ... I don't think the people in the court know yet. The lawyers don't know ... We just held memorial services for attorney Paul Beakley this morning. We adjourned in his memory. And now, this ... I know Judge Cacace wants to see me this afternoon -- he'll be the new Senior Judge. Beyond that, I don't know what to say. I'm shocked. I've known him all my professional life. He was hard working and industrious ..." Administration of the city courts put many pressures on the Judge, he said. Landy had been as active as a young man, D'Apice said. County Court Judge John Couzens said today, "I've known Judge Landy over 20 years. He was a prodigious worker, a scholar and one who loved

THIRD GENERATION

Yonkers. It is a great loss to the city. No one really realized how hard he worked except those who worked with him.

A native of Yonkers, he served as assistant state attorney general for 17 years before being elected city judge on the Republican line. Landy was active in the Monastery Church of the Sacred Heart and was formerly an attorney associated with the White Plains law firm of McClelland and Croake. He was born Feb. 17, 1906 in the 6th Ward where he attended Sacred Heart School, Gorton High School and was a graduate of Fordham Preparatory School, received his Bachelor of Arts Degree from Manhattan College and his law degree from Fordham University. He was a doctor of law.

A former GOP ward leader and a district leader he ran unsuccessfully for Supervisor in the 6th Ward. He founded and was the first president of the 6th Ward Republican Club, was a former president of the Holy Name Society of Sacred Heart Church and an honorary member of the board of ushers there. He was a member of the Knights of Columbus, La Rabida Council, Yonkers Elks Club, was a former president of the Friendly Sons of St Patrick, Yonkers Republican Organization, Yonkers Lawyers Association and Westchester County Bar Association. Judge Landy was also an honorary member of the Police Captains, Lieutenants, and Sergeants Association, a member of the Manhattan College and Fordham University Alumni Associations and a member of the Knights of Malta, United States Chapter.

He married the former Eileen Halpin of Yonkers on March 31, 1951 in the Monastery Church of the Sacred Heart church here. She survives. Surviving are three sons, Gilbert M, Jr, Brian R, and James J; a daughter, Deanne E Landy all of the home address; a sister, Sister Gilberta Landy of the Convent of St Agnes, Fon-du-lac, WI, several nieces and nephews. His parents, James and Delia Head Landy predeceased him. One sister, Sister Odelia Landy, and seven brothers, Emmett, James, Matthew A, Rev Regis Landy OP, John B, Joseph Stephen and Henry also predeceased him.

Newspaper Editorial - The Herald Statesman - Yonkers, NY - 1/15/1974

A LOSS TO US ALL

Yonkers mourns the death of City Judge Gilbert M Landy, a warm and kindly man, soft-spoken, so down to earth in his judicial pronouncement that people felt easy and comfortable in his presence. They went to him with confidence, assured beforehand in themselves that they would find a friendly hand and word -- and few indeed were disappointed. Soft-spoken, yes, but he could be stern in the fashion only possible for a true gentleman and less than proper conduct in his court was brought up short with firm resolution.

He won community respect and affection through a life of integrity and values. His substantial and continuing and selfless service earned him wide admiration -- not only in the courtroom but in building this and that organization or agency for some constructive and useful community purpose. He founded and was the first president of the 6th Ward Republican Club and served as Ward leader for some 17 years, not a task for the faint-hearted during those days when the 6th enjoyed its heyday as the Gibraltar of the Democratic Party in Yonkers.

But name any organization and the chances are he assisted it directly or indirectly over some hurdle, regardless of the group's possible religious, social, or fraternal links. He had great faith in young people and he gave to them his choicest help. His was a ripe experience, with a fund of resourcefulness and common sense, which he shared so generously. And he was a deeply religious man in the finest sense of the term, without cant or affection.

Of such was Gilbert M Landy -- Lawyer, judge, civic leader, youth builder and fiercely loyal friend to so many. Such a man was Judge Landy -- devoted to humanity and God. His death finds Yonkers minus one of her finer sons.

EULOGY TO THE HONORABLE GILBERT M LANDY, DELIVERED THURSDAY, JANUARY 18, 1974, BY HIS NEPHEW, THE REVEREND JAMES LANDY AT THE MONASTERY CHURCH OF THE SACRED HEART, YONKERS, NEW YORK

* * * * *

GILBERT MARTIN LANDY

Son of James and Delia Head Landy

Seven brothers and two sisters

Husband and father

Attorney by profession

Jurist by consent of his fellow citizens

Christian by Baptism, A Catholic by persuasion

A Knight of Malta by Appointment

* * * * *

My task today is made more difficult when we are told it is neither correct nor proper to eulogize at a Mass of Resurrection; that we are to homilize; that is, to explain some truth of the Christian message. And so to the liturgical purists present, to those present who would object to a eulogy, who would take exception to one, I must apologize, for I am about to take the liberty to eulogize. But I do so not lightly,

THIRD GENERATION

not without reason nor justification. For there are, I think, a few men - all too few, to be sure - but a few whose lives are such that they lend themselves simultaneously and at once to both eulogy and homily - an exposition of the Christian message.

Not far from this very spot - in fact, in the middle of this very block, Gil Landy was born. First at home from both of his parents, then at Sacred Heart School within the shadows of the Monastery Church, later at Manhattan College and Fordham University, he learned and learned well the message of the Gospel of this Mass. He learned it well, for it sustained him throughout his life. He learned it well, for I'm sure that he brought it into the lives of the many - the literal thousands - of lives that he was to touch over 67 years

COME TO ME, ALL YOU WHO ARE WEARY AND FIND LIFE BURDENSOME.
I WILL REFRESH YOU. TAKE MY YOKE UPON YOUR SHOULDER AND
LEARN FROM ME, FOR I AM GENTLE AND HUMBLE OF HEART.
YOUR SOULS WILL FIND REST, FOR MY YOKE IS EASY AND MY BURDEN IS LIGHT.

The weariness and burdens of life, the trials and difficulties of living common to all of the children of Adam were his - the problems of growing and maturing among seven brothers (all different and each opinionated) and two sisters; the difficulties of getting an education and consequently to study; the challenges of marriage and fatherhood; the competition of law and the tactics of politics. These were all his, to be sure. But beyond these, above these and in addition to these, there was given to him early in life the burden of poor health - a struggle for life itself, a struggle that for years ebbed and flowed, for what to him must have been an eternity. His was a condition at times that was hopeless to all but himself and his saintly mother. To him was consigned a burden to carry, when all but a few - apart from his family - backed off, gave up and looked elsewhere. Yet with a faith, a trust and a courage founded on and in the Gospel, a faith a trust and a courage sustained daily by quiet prayer and devotion, he fought back and regained his health. He went on to gain a position of honor and respect and a professional reputation of no small proportion.

As an Attorney General, his contributions to a broader and more benign interpretation of Workmen's Compensation Laws is a matter of record. The presence today and over the last several days of so many judges from every level of the judiciary, so many court officials and so many members of the bar is an adequate tribute to his professional standing and his effective administration of his own Court in the City of Yonkers.

A man of courage, trust and faith! It was not unusual to see Gil Landy in prayer. I know that today the Rosary seems unpopular, unfashionable and antiquated, but as a very young boy, I came to know the meaning and the value of that devotion in this one man's life. His prayer beads were Gil Landy's bedside companion in his lowest days, his darkest days, in the months and years of his isolation. During those years, they were sometimes his only companion. Pain and suffering, disappointment and sorrow, discouragement and fear, insecurity and anxiety! ---- were indeed his yoke and burdens. But he had heard and had come to believe deeply the words --

COME TO ME — AND I WILL REFRESH YOU. TAKE MY YOKE —
FOR MY YOKE IS EASY AND MY BURDEN IS LIGHT.

So touched, so tempered, so forged - there was fashion in this man a truly Christian character. A character which down through the years enabled him to open himself to others with a Christian gentleness, which caused him willingly to take on and share in the weariness and burdens of others. No stranger to sorrow and suffering himself; to fear and insecurity, to apprehension and anxiety, he understood them in others and he reached out to help. He encouraged and he consoled; he advised and he admonished. For the weary, the burdened, the troubled, he had sympathy and empathy and that all embracing quality that defies translation, of SYMPATICO.

No problem was too small; no difficulty too great; no crisis too startling; no bewilderment too deep! His life-long sharing, his life-long involvement, his life-long concern gives contradictory evidence to those of a younger generation, who would claim that no one of his was involved, concerned or relevant. Too the problems of family and neighbor alike, he willingly and gently lent his time and effort, his wisdom and understanding, his talents and experience; at times, even his humor and wit, and again at times when he thought it necessary - a kind of benevolent coercion. Cynics among us today - at a time when there is cause and it is in vogue to question the motives of politicians - will contend that he was all of this out of a political pragmatism and expediency. But to say this - to even think it and not say it - is to confess that you never really knew Gilbert Landy. It is to say that while you were acquainted with him, you never realized nor understood his religious and moral convictions, his Christian values and priorities, his personal ethics, his deep piety and devotion, his personal faith and trust in God, his practical application of the great law of Christian love.

It was the lawyer who asked, "Which is the greatest of the commandments?" In response, Jesus said, "The first and the greatest is to love God with your whole mind, your whole heart, and your whole soul; and the second is like unto it, love your neighbor as yourself."

THIRD GENERATION

LOVE GOD AND LOVE YOUR NEIGHBOR

Indeed he did both -

recall his reverence for the name of God;
 Vision his frequent visits to this church and St Mary's on South Broadway;
 The regularity with which he stood here as a penitent ready to accuse himself before his
 maker;
 The frequency with which he approached the table of the Lord.

And his neighbor - love of neighbor! It was true! It was practiced! Perhaps not reflected in a showy, shallow flamboyancy, nor in the sweet words of the insincere, nor in the gushiness of the rushing do-gooder, but in the quiet sobriety of a genuinely concerned Christian gentleman.

And his church! He loved it! Long before the pronouncements of Vatican II, he knew the church; he understood it; he knew what it was. He knew it - not as an insensitive, autocratic establishment, but as a Christian community, a community of believers; the visible body of Christ on earth; the people of God - NOT SAINTS, but people with different roles - hierarchy and clergy, religious and laity - a struggling people, to be sure; a people subject to the same human condition as he himself; a people striving for the same goodness and virtue as he, but plagued by the same weaknesses and human inclinations as he. But he knew and he understood the Church - the People of God. He bestowed on them a dignity and respect, a worth and a value. He loved the People of God, his Church.

So there he stood throughout his public life - while slight of stature, he stood straight and tall - both feet firmly planted; the one in the City of God, his Church, the other in the City of Man - his community - the City of Yonkers. We, his family, his friends, his neighbors and his fellow citizens mourn his death. He will be missed, but having died with Christ he is destined to rise with him, too. Hence, a theme of joy, a strain of alleluia in this liturgy. But to his wife, Eileen, to his sons, Gil, Brian, James, and his daughter, Deanne, and his sister, there has been given a yoke to shoulder, a burden to carry, a path to march -- But your husband, your father, your brother -- has given you both the beat of the drum and the measure of the march.

MAY GOD BE WITH YOU ON YOUR WAY

2 x. Matthew Aloysius Landy.

5. Delia³ Head (James J⁴). Born, Oct 1865, in Yonkers, NY. Died, circa 1958, in Yonkers, NY. Burial in St Marys Cem, Yonkers, NY. Occupation: Dressmaker. Showed in the 1900 census as a housewife at 16 Convent Ave. in Yonkers. She was a skilled seamstress and dressmaker and operated a shop on Ashburton Ave in Yonkers. She lived to the age of 93. Afflicted with Alzheimers disease, she died of pneumonia after being hospitalized following a fall.

She married James J Landy (4).

6. Michael Joseph³ Murphy jr (Michael Joseph⁴)¹. Born, 28 Nov 1872, in West Gramby, CN. Died, 12 Dec 1924, in Bronx, NY. Burial in Calvary Cem III, Long Island, NY. Occupation: Electrician. Mike came to New York from Chicopee Falls, MA at the invitation of his oldest sister Mary and her husband, Larry Martin. Mike then lived with them at 2nd Ave in NYC for a while. Larry worked for the IRT and helped Mike get a job with the IRT. Mike took a correspondence course and became an electrician with the New York Transit Authority. He worked at the IRT substation at 99th & 3rd Ave and then later at Gun Hill Road. He was about 5 foot 6 inches and developed heart problems. He lived at 616 Van Ness Ave, Bronx, NY at the time of his death.

He married Celia Brodie (7), 12 Nov 1905, in NYC. Children:

3 i. Mary (Marion) Lillian² Murphy.

7. Celia³ Brodie (Michael⁴). Born, 17 Aug 1869 (?), in County Claire, Ireland. Died, 29 Mar 1947, in NYC. Burial in Calvary Cem III, Long Island, NY. Immigration in Canada. She arrived in the new world as a young pre-teen. She worked as a cigar maker, a chambermaid at the Hotel Pennsylvania, a waitress at the Allerton Men's Club, and a maid at the Hippodrome Theatre. Her sister-in-law Rose (Fallon) Brodie was the maid of honor at her wedding. Mike and Celia were married at St John the Evangelist Church, 1st Ave in the 50s, NYC. She died at 77 of Heart Disease.

She married Michael Joseph Murphy jr (6).

FOURTH GENERATION

8. James W⁴ Landy. Born, circa 1830 (?), in Ireland. Census: 1880, in Westchester Co, NY p46. Occupation: Gardener. Resided at 28 Cottage Place, Yonkers, NY

He married Bridget (9), circa 1857. Children:

- i. Mary J³ Landy. Born, circa 1859, in Yonkers, NY.
- ii. Anastasia Landy. Born, circa 1860, in Yonkers, NY.
- iii. Margaret Landy. Born, circa 1861, in Yonkers, NY.
- iv. Elizabeth Landy. Born, circa 1862, in Yonkers, NY.
- v. Bessie Landy. Born, circa 1864, in Yonkers, NY.
- 4 vi. James J Landy.
- vii. Julia Landy. Born, circa 1868, in Yonkers, NY. She married Daniel Webster Caulfield. Lived in the caretakers house - Lennon Park.
- viii. Catherine (Kate) Landy. Born, circa 1871, in Yonkers, NY. She married Gerald (Jerry) McCue. Resided on Voss Ave, Yonkers, NY
- ix. John R Landy. Born, circa 1874, in Yonkers, NY.

9. Bridget⁴. Born, circa 1830, in Ireland. Occupation: Housewife. Unable to read or write.

She married James W Landy (8).

10. James J⁴ Head.

He married Mary Brennan (11), circa 1864, in St Marys, /StJosephs, Yonkers, NY. Children:

- 5 i. Delia³ Head.
- ii. John Head. Born, Oct 1874, in Yonkers, NY. Burial in Yonkers, NY. Died when decapitated by a Trolley Car.
- iii. Mary (Mae) Head. Born, Apr 1875, in Yonkers, NY. Burial in Yonkers, NY. Occupation: Seamstress. Maid of Honor (and only female attendant) at sister Delia's Wedding.
- iv. Julia Head. Born, Oct 1878, in Yonkers, NY. Occupation: Seamstress.
- v. James J Head. Born, Jan 1879, in Yonkers, NY. He married Mary Landy, circa 1901.
- vi. Catherine Head. Born, Jul 1881, in Yonkers, NY. Died in Trenton, NJ. She married Robert Thurston.
- vii. Matthew Head. Born, Dec 1882, in Yonkers, NY. Burial in St Marys Cem, Yonkers, NY. Died at Poughkeepsie of a mental breakdown, NY State Hospital, following lengthy period of hospitalization after brother John's tragic death - Previously they had been roommates at the family home.

11. Mary⁴ Brennan (?⁵). Born in Galway ? Ireland.

She married James J Head (10).

12. Michael Joseph⁴ Murphy. Born, circa 1827, in NW Conn, or SW Mass. Died, circa 1918, in Florence, MA. Burial in Florence, MA. Occupation: Farmer. In his latter years he lived with his daughter Elizabeth and her husband George McCarthy.

He married Mary Burke (13). Children:

- i. Mary (Minnie)³ Murphy. Born in West Gramby, CN. Died, 27 Dec 1943 (?), in Sprngfld Gardens, NY. Burial in St

FOURTH GENERATION

Raymond's Cem, Bronx, NY. She married Lawrence Martin Sr. She was very lady-like, genteel, and short of stature.

- ii. John M Murphy². Born in West Gramby, CN. Died, Aug 1924, in Florence, MA. Burial in Florence, MA. Occupation: Farm Sup't. He married Anna Fahey, daughter of John Fahey and Ann Murphy, 1906. Known as Uncle Jack, he was a gardner and worked as a farm superintendant near Worcester, MA. He died in the Cooley Dickinson Hospital in Florence, MA.
- iii. Thomas Murphy. Born in West Gramby, CN. Burial in Florence, MA. Occupation: Factory Worker. The tallest member of his family, he was a real bachelor. He died in his late 20's or 30's of black lung disease which he acquired from pollution working in a Dye House in Northampton, MA. Shy and withdrawn, he lived with his sister Lizzie and husband, George McCarthy. For seventeen years he drank lemonade with Minnie Prince, a real spinster in her own right, on her front porch, but he never married her.
- iv. James Murphy. Born in West Gramby, CN. Little is known of James except he lived in Bridgeport, Conn.
- v. William Murphy. Born in West Gramby, CN. Died, circa 1935. Burial in Potters Field, Calvary Cem, Long Is, NY. Occupation: Restaurateur. He married Margaret (Maggie) Smith. Early on, Billy drove trolley cars in Chicopee Falls, NY. He then roomed with Ceceilia & Marion for two to three months following his brother Mike's death. They finally asked him to leave because of his troublesome nature and inability to pay his rent. He lived along Westchester Creek in the Bronx, NY and managed a restaurant in New York City on 125th street and Lexington Ave. He had a tendency to like his liquor and was successful in gambling to the extent of winning 14 building lots in Port Jefferson, Long Island. Unfortunately, he lost them for lack of funds to pay taxes. He died destitute and was buried in potters field.
- 6 vi. Michael Joseph Murphy jr.
- vii. Elizabeth Murphy. Born, circa 1874, in Florence, MA. Died, circa 1950, in Florence, MA. Burial in Florence, MA. She married George McCarthy.

13. Mary⁴ Burke. Born in County Limerick, Ireland. Died, Jan 1907, in Florence, MA. Burial in Florence, MA. Brother Michael Burke born also Limerick, Ireland - Tailor, immigrated to US and settled in Nashua, NH. Daughter was a nun. While in Ireland he was a tailor to a country gentleman from Limerick named Michael Brodie.

She married Michael Joseph Murphy (12).

14. Michael⁴ Brodie. Born in Ennis, County Clare, Ireland. Died, before 1906. Burial in Calvary Cem III, Long Island, NY. Immigration: circa 1880, in Canada. Occupation: Farmer. Gentleman Farmer in Ireland with a 90 acre farm.

He married Ellen Hogan (15) in Ennis, County Clare, Ireland. Children:

- 7 i. Celia³ Brodie.
- ii. Mary Brodie. Born in Ennis, County Clare, Ireland. Burial in Calvary Cem III, Long Island, NY. Occupation: Cook/Housekeeper. She married John O'Neill.
- iii. Michael Brodie jr. Born in Ennis, County Clare, Ireland. Burial in Calvary Cem III, Long Island, NY. Immigration in Canada. Occupation: Butcher. Big robust guy, who worked for the Harrington Meat Co. Died of Tuberculosis.
- iv. John Brodie. Born in Ennis, County Clare, Ireland. Burial in Calvary Cem III, Long Island, NY. Immigration in Canada. He married Rose Fallon. Lived on the lower west side of Manhattan and on Staten Island. Died of a heart attack on the Boardwalk at Rockaway Beach.
- v. Elizabeth Brodie. Born, circa 1875, in Ennis, County Clare, Ireland. Died, 25 Jun 1943. Immigration in Canada. She married, first, John Fitzpatrick, Feb 1897. She married, second, William McGuinness. Worked as a Cigar Maker on Yorkeville Ave. Walked to work. Died of severe complications of Arthritis and buried from Donoghue's Funeral Home, 1066 Lex Ave, NYC.
- vi. James Brodie. Born in Ennis, County Clare, Ireland. Burial in Calvary Cem III, Long Island, NY. Immigration in Canada. Irish roustabout - Heavy drinker/ liver problem.
- vii. Thomas Brodie. Born in Ennis, County Clare, Ireland. Burial in Calvary Cem III, Long Island, NY. Immigration in Canada. Died at age 21 of heart trouble.
- viii. Anna Brodie. Born, after 1876, in London, Ontario. Died, circa 1945. Burial in Calvary Cem III, Long Island, NY. She married Vincent Costello.

15. Ellen⁴ Hogan (?⁵). Born in Ennis, County Clare, Ireland. Died, 12 Feb 1910, in NYC. Burial in Calvary Cem III, Long Island, NY. Immigration: circa 1880, in Canada. Occupation: Housewife. Reasonably tall at 5'6", round face and wore a lot of black clothing. Died of influenza during 1910 NYC epidemic. Lived with daughter Annie Costello in Ridgewood, Brooklyn at the time of death.

She married Michael Brodie (14).

FIFTH GENERATION

16. ?⁵ Brennan.

He married an unknown woman. Children:

- 11 i. Mary⁴ Brennan.
- ii. Tom ? Brennan. Born in Galway ? Ireland. Gram Landy's uncle - believed to have settled in Boston. Margaret (Brennan) Hyde - Daughter of Uncle

17. ?⁵ Hogan. Progeny numbered at least five, of which two brothers (possibly IRA) immigrated to Australia. Two sisters (one name of Agnes) were found in Rochester, NY. The last, Ellen, is the only one we know much about.

He married ? Burlingham. Children:

- 15 i. Ellen⁴ Hogan.

NOTES AND REFERENCES

¹Mike had relatives in East Hampton, MA by the name of McMahon.

²Born in a family with 10 brothers and sisters, Anna was a unique and colorful lady. She smoked till the age of 100 and was known to drink her fill. Anna was a "tough cookie" who lived hard. She arrived drunk at Mike's funeral and within the family there were bad feelings for years over Annie and her life style. When her brother Mike and sister Minnie called to funeral, only to find house bare of essentials.

Newspaper Clipping - Daily Hampshire Gazette - Northampton, MA - Wednesday, December 24, 1980 - 28 pages - 20 cents

ANNA MURPHY DIES AT AGE 113; BELIEVED OLDEST RESIDENT IN STATE

LEEDS - Anna M Murphy, a city resident who was believed to be the oldest citizen of the Commonwealth of Massachusetts, died yesterday in the Hampshire County Hospital here. She was 113 years old. The daughter of the late John and Ann (Murphy) Fahey, Mrs. Murphy was born in Northampton on April 15, 1867 - just two years after the end of the Civil War. Early in life she moved - along with her 10 brothers and sisters - to Easthampton. There, Mrs. Murphy told members of her family, she remembered working in a button mill in the summer of 1877 when she was only 10.

In 1906, Anna Fahey married John M Murphy, who worked among other things, as a gardner until his death in 1924. Mrs. Murphy, who also worked as a cook for private families in the area, continued making her own bread and rolls until she was 100. "I was once one of the best cooks around," she said at one of the birthday parties that became a local event when her advanced age had made her a celebrity.

Mrs. Murphy lived for many years at 43 Straw Ave in Florence with her only child Stephen F Murphy. The father of Mrs Murphy's three granddaughters, Murphy, 73, now lives with his wife in Hatfield. When his father died, Murphy was 16 and his mother 57. To support her, he said today, he went to work as an apprentice upholsterer. He continued in the furniture trade until his retirement, eventually starting his own business and continuing to support his mother.

Murphy said today that his mother remained alert throughout her 80s and 90s by writing poetry and doing needlepoint. She disdained glasses, calling them "too much bother," and continued reading without them until her eyes failed at 103. Ten years ago, Mrs Murphy moved to the Hampshire County Hospital. There she became the focus of attention each April 15, when another year was added to the total. "She was like a little doll," said Sandra M Figueroa, who worked as a nurse at the hospital in the early 1970s. "At 100-and-some-odd years, she could still sing 'Danny Boy'. She was such a nice person, you couldn't help but remember her."

The federal Social Security Administration records several hundred people in Massachusetts who are 100 years or older. But Mrs. Murphy was officially designated the oldest. And she may have a wider claim than that. According to Mrs Figueroa, the Guinness Book of World Records says the longest documented human life was 113 years, 214 days. April 15, 1867, the date on Mrs Murphy's birth certificate, was 113 years, 253 days ago.

Mrs Murphy was a member of the Catholic Women's Council of Annunciation Church, Florence, MA. In addition to her son, she is survived by three granddaughters and seven great grandchildren. The funeral will be Saturday at 9:15 AM from the John F O'Connell Funeral Home at 94 King Street. A liturgy of Christian burial will be celebrated at 10:00 AM in Annunciation Church. The burial will be in St Mary's Cemetery in Northampton. Calling hours at the funeral home will be Friday from 2 to 4 and 7 to 9 PM.

- Bridget (1830-dec.), 4, 13
- ?
- Eleanor, 3, 6
- Anspate
Irene (1902-), 1, 5
- Beairsto
Clifford James (1964-), 2
Deborah Jean (1960-), 2
J Raymond, 2, 6
Kelly Anne (1968-), 2
Kevin Matthew (1961-), 2
Timothy Raymond (1963-), 2
- Bottolfson
Rhonda, 1, 5
- Brennan
?, 4, 15
Mary, 4, 13, 15
Tom ?, 15
- Brodie
Anna (1876-1945), 14
Celia (1869-1947), 4, 12, 14
Elizabeth (1875-1943), 14
James, 14
John, 14
Mary, 14
Michael (?-1906), 4, 14
Michael jr, 14
Thomas, 14
- Burke
Mary (?-1907), 4, 13, 14
- Burlingham
?, 4, 15
- Caulfield
Daniel Webster (1859-dec.), 13
- Costello
Vincent, 14
- Devine
James, 3, 6
Patricia A, 3, 6
- Fahey
Anna (1867-1980), 14
John, 14
- Fallon
Rose, 14
- Farrell
Patrick, 1, 5
Warren, 1, 5
- Fitzpatrick
John (?-1897), 14
- Halpin
Eileen Margaret, 9
Raymond, 9
- Head
Catherine (1881-dec.), 13
Delia (1865-1958), 4, 8, 12, 13
James J, 4, 13
James J (1879-dec.), 13
John (1874-dec.), 13
Julia (1878-dec.), 13
Mary (Mae) (1875-dec.), 13
Matthew (1882-dec.), 13
- Hogan
?, 4, 15
Ellen (?-1910), 4, 14, 15
- Landy
Anastasia (1860-dec.), 13
Barbara Jean (1964-), 1, 5
Bessie (1864-dec.), 13
Brendan Thomas (1960-), 1, 5
Catherine (Kate) (1871-dec.), 13
Cecelia Eileen (1936-), 2, 6
Diedre (1970-), 3
Elizabeth (1862-dec.), 13
Emmett (1900-1943), 9
Florence (1898-), 8
Gilbert Martin (1906-1974), 9
Henry Sylvester (1902-1913), 9
James (1974-), 3
James (Jay) J Jr (1894-1946), 8
James J (1865-1927), 4, 8, 12, 13
James W (1830-dec.), 4, 13
John Berchman (1933-), 1, 4, 5, 6
John Berchmans (1896-1926), 8
John Matthew (1961-), 1, 5
John R (1874-dec.), 13
Joseph Stephen (1901-1901), 9
Julia (1868-dec.), 13
Kenneth Michael (1967-), 1, 5
Margaret (1861-dec.), 13
Mark Joseph (1964-), 3
Mary, 13
Mary Irene (1893-1926), 8
Mary J (1859-dec.), 13
Matthew Aloysius (1908-1961), 1, 2, 3, 4, 6, 7, 12
Matthew Aloysius III (1966-), 3
Matthew Aloysius jr (1937-), 3, 6
Maureen (1965-), 3
Richard Edgar (1904-1947), 9
- Lonergan
Mary (Mae) (?-1972), 8
- Martin
Lawrence Sr, 13
- McCarthy
George, 14
- McCue
Gerald (Jerry), 13
- McGuinness
William, 14
- McNeill
Daniel, 1, 5
Jean Teresa (1933-), 1, 4, 5

Murphy

Ann, 14
Elizabeth (1874-1950), 14
James, 14
John M (?-1924), 14
Mary (Marion) Lillian (1906-), 1, 2, 3, 4, 6, 12
Mary (Minnie) (?-1943), 13
Michael Joseph (1827-1918), 4, 13, 14
Michael Joseph jr (1872-1924), 4, 12, 14
Thomas, 14
William (?-1935), 14

O'Neill

John, 14

Rogers

Gerald, 2, 6

Smith

Margaret (Maggie), 14

Thurston

Robert, 13

THE STATISTICS (VERY INCOMPLETE)

Ancestors of: Brendan Thomas Landy

Prepared by: Marion Landy - Altamonte Spg , Florida

Generations: 5

Flags yield: 100.0%

	POP	MEAN	STD DEV	MIN	MAX	UNITS	RECORD MIN	NUMBERS MAX
MALE ANCESTORS: 11								
Age at first marriage	5	27.5	2.6	24.5	33.0	years	24	9
Age at birth of first child	5	28.6	3.3	25.4	34.0	years	24	9
Age at birth of last child	6	38.4	6.3	29.5	47.0	years	24	2
Age at death	4	64.5	15.5	52.0	91.0	years	9	2
Number of marriages	10	1.0	0.0	1	1		25	25
Number of children	11	4.8	3.4	1	10		168	58
FEMALE ANCESTORS: 10								
Age at first marriage	5	28.3	4.0	25.6	36.2	years	23	22
Age at birth of first child	6	29.8	3.5	26.5	37.3	years	23	22
Age at birth of last child	6	36.5	5.0	30.6	44.0	years	23	52
Age at death	2	85.2	8.1	77.5	93.0	years	22	63
Number of marriages	10	1.0	0.0	1	1		163	163
Number of children	10	5.1	3.4	1	10		169	63
ALL ANCESTORS: 21								
Age at first marriage	10	27.9	3.8	24.5	36.2	years	24	22
Age at birth of first child	11	29.3	3.3	25.4	37.3	years	24	22
Age at birth of last child	12	37.4	6.1	29.5	47.0	years	24	2
Age at death	6	71.5	16.6	52.0	93.0	years	9	63
Number of marriages	20	1.0	0.0	1	1		25	163
Number of children	21	5.0	3.3	1	10		168	63
Age of all children at death	32	52.0	23.8	0.0	93.0	years	58	118
Age of non-infant children at death	30	55.4	20.5	11.2	93.0	years	58	118
Male children	104	52.9				percent		
Female children	104	47.1				percent		

```

=====
*****
ANCESTORAL FAMILIES
*****
=====

```

The following pages take the earliest known ancestor of each line of this family branch and record all of his/her known descendants. When, however, a female ancestor marries into another line, her descendants are listed in the family of her husband because of the name change.

The generations are referred to by numbers which are purely arbitrary. The numbers were chosen so that those born in the 2nd quarter of the 20th century would be generation 50. In this way, the generations can be numbered both forward and backward with plenty to spare. The purpose was to differentiate between two Mike Murphys or two Matt Landys etc. It also provided a nice way to determine relationships and to mark the number of generations each family name went back. In addition the branches of the family are designated by the first two letters of the name. Thus :

ANCESTORAL FAMILIES

LA = Landy MU = Murphy

ALLIANCE FAMILIESMC = McNeill BE = Beirsto
DE = Devine

To illustrate MU45 would be an individual in the Murphy branch of the family born roughly in the 1800-1825 time frame.

The main purpose of this work, however, is still the pursuit of the pedigree lineage and this list is not an attempt to expand this into a Family Historian account. These lists are used and useful in researching the ancestry, and they have the side benefit of being fun at Family reunions.

 =====
 MURPHY ANCESTRAL FAMILIES
 =====

HOGAN FAMILY

42 43 44 45 46 47 48 49 50 51 52
 ? Hogan
 +? Burlingham
 : Ellen Hogan (?-1910) -----\ qv. - BRODIE FAMILY
 : +Michael Brodie (?-1906) -----/

BRODIE FAMILY

42 43 44 45 46 47 48 49 50 51 52
 Michael Brodie (?-1906) <---- HOGAN
 +Ellen Hogan (?-1910) <----
 : Celia Brodie (1869-1947) -----\ qv. - MURPHY FAMILY
 : +Michael Joseph Murphy jr (1872-1924) -----/
 : Mary Brodie
 : +John O'Neill
 : . Edward O'Neill (?-1906)
 : . +Tessie ?
 : . Margaret O'Neill (?-1936)
 : . George O'Neill
 : . Grace O'Neill
 : . +Thomas Dalton
 : . . Robert Dalton
 : . . Grace Dalton
 : Michael Brodie jr
 : John Brodie
 : +Rose Fallon
 : . Edward Brodie
 : Elizabeth Brodie (1875-1943)
 : +William McGuiness
 : +John Fitzpatrick (?-1897)
 : James Brodie
 : Thomas Brodie
 : Anna Brodie (1876-1945)
 : +Vincent Costello
 : . Lillian Costello (1906-1983)
 : . +John O'Hara
 : . . Patricia O'Hara (1927-dec.)
 : . Helen Costello (1907-dec.)
 : . +James Cain
 : . . Maureen Cain (1937-)
 : . Marion Costello (1909-dec.)
 : . +Francis (Frank) Kirby
 : . . Brian Kirby (1931-)
 : . Catherine (Cushy) Costello
 : . +Edward McCann
 : . John Costello

MURPHY ANCESTRAL FAMILIES

MURPHY FAMILY

42 43 44 45 46 47 48 49 50 51 52
Michael Joseph Murphy (1827-1918)
+Mary Burke (?-1907)
: Mary (Minnie) Murphy (?-1943)
: +Lawrence Martin Sr
: . Twin 1 Martin (1888-1888)
: . Twin 2 Martin (1888-1888)
: . Lillian Martin (1890-dec.)
: . Joseph Martin (1900-1921)
: . Lawrence J Martin jr (1905-1987)
: . +Katherine (Kit) Kane
: . . Laureen Martin (1944-)
: John M Murphy (?-1924)
: +Anna Fahey (1867-1980)
: . Stephen Murphy (1907-)
: . +Doris
: Thomas Murphy
: James Murphy
: William Murphy (?-1935)
: +Margaret (Maggie) Smith
: . William Murphy jr
: . Pauline Murphy
: Michael Joseph Murphy jr (1872-1924) <---- _____ BRODIE
: +Celia Brodie (1869-1947) <----
: . Mary (Marion) Lillian Murphy (1906-)----\ qv. - LANDY
: . +Matthew Aloysius Landy (1908-1961) ----/
: Elizabeth Murphy (1874-1950)
: +George McCarthy
: . Mary McCarthy (1896-)
: . +Wilfred Spencer
: . . Elizabeth Louise (Betty Lou) Spencer
: . . +Pat Adams
: . . . B J Adams
: . . . M J Adams
: . . . Wilfred Spencer jr
: . . Margaret (Peg) McCarthy (1900-)
: . . +George Bernard
: . . Edward McCarthy (1906-)
: . . +Florence
: . . . Maureen McCarthy
: . . . Michael McCarthy
: . . . Eddie McCarthy
: . . George (Bud) McCarthy jr (1909-)
: . . +(unknown)
: . . . George McCarthy III
: . . . Susan McCarthy

LANDY ANCESTORAL FAMILIES

BRENNAN FAMILY

42 43 44 45 46 47 48 49 50 51 52
 ? Brennan
 +(unknown)
 : Mary Brennan -----\ qv. - HEAD FAMILY
 : +James J Head -----/
 : Tom ? Brennan

HEAD FAMILY

42 43 44 45 46 47 48 49 50 51 52
 James J Head <---- BRENNAN
 +Mary Brennan <----
 : Delia Head (1865-1958)-----\ qv. - LANDY FAMILY
 : +James J Landy (1865-1927)-----/
 : John Head (1874-dec.)
 : Mary (Mae) Head (1875-dec.)
 : Julia Head (1878-dec.)
 : James J Head (1879-dec.)
 : +Mary Landy
 : . Mary Head (1902-dec.)
 : . +Lawton Bates
 : . +Walter Nickerson
 : . James (Jay) J Head jr (1903-dec.)
 : . +Nora ?
 : . . Marie Head
 : . . James (Jay) Head
 : . . +M Eleanor Keistoff
 : . Irene Head
 : . +Francis Cleary
 : . . Margie Cleary
 : . Marion Head
 : . +William Sullivan
 : . Edmund Head
 : . +Florence Crisfield
 : Catherine Head (1881-dec.)
 : +Robert Thurston
 : . Harold (Harry) Thurston
 : . Ethyl Thurston
 : . Robert Thurston
 : . Irene Thurston
 : Matthew Head (1882-dec.)

 LANDY ANCESTRAL FAMILIES

LANDY FAMILY

42 43 44 45 46 47 48 49 50 51 52
 James W Landy (1830-dec.)
 +Bridget (1830-dec.)
 : Mary J Landy (1859-dec.)
 : Anastasia Landy (1860-dec.)
 : Margaret Landy (1861-dec.)
 : Elizabeth Landy (1862-dec.)
 : Bessie Landy (1864-dec.)
 : James J Landy (1865-1927) <---- HEAD
 : +Delia Head (1865-1958) <----
 : . Mary Irene Landy (1893-1926)
 : . James (Jay) J Landy Jr (1894-1946)
 : . +Mary (Mae) Lonergan (?-1972)
 : . . Clare Landy
 : . . +Edmund Holmes
 : . . . Mary Ellen Holmes
 : . . . James G Landy
 : . . . Joan Landy
 : . . . +Foster Hutton
 : James Hutton
 : . . John Berchmans Landy (1896-1926)
 : . . Florence Landy (1898-)
 : . . Emmett Landy (1900-1943)
 : . . Joseph Stephen Landy (1901-1901)
 : . . Henry Sylvester Landy (1902-1913)
 : . . Richard Edgar Landy (1904-1947)
 : . . Gilbert Martin Landy (1906-1974)
 : . . +Eileen Margaret Halpin
 : . . . Gilbert Martin Landy Jr
 : . . . +Mary Beth Davis
 : . . . Brian Raymond Landy
 : . . . +? Holden
 : . . . James Joseph Landy
 : . . . +Nancy Anderson
 : . . . Deanne Eileen Landy
 : . . . +Allen May
 : . . Matthew Aloysius Landy (1908-1961) <---- MURPHY
 : . . +Mary (Marion) Lillian Murphy (1906-<----
 : . . . John Berchman Landy (1933-)
 : . . . +Jean Teresa McNeill (1933-)
 : Brendan Thomas Landy (1960-)
 : +Rhonda Bottolfson
 : John Matthew Landy (1961-)
 : Barbara Jean Landy (1964-)
 : +Patrick Farrell
 : Kenneth Michael Landy (1967-)

 LANDY ANCESTRAL FAMILIES

LANDY FAMILY (continued)

42	43	44	45	46	47	48	49	50	51	52	
					:	:		Cecelia Eileen Landy (1936-)			
					:	:		+J Raymond Beairsto			
					:	:		Deborah Jean Beairsto (1960-)			
					:	:		Kevin Matthew Beairsto (1961-)			
					:	:		Timothy Raymond Beairsto (1963-)			
					:	:		Clifford James Beairsto (1964-)			
					:	:		Kelly Anne Beairsto (1968-)			
					:	:		+Gerald Rogers			
					:	:		Matthew Aloysius Landy jr (1937-)			
					:	:		+Patricia A Devine			
					:	:		Mark Joseph Landy (1964-)			
					:	:		Maureen Landy (1965-)			
					:	:		Matthew Aloysius Landy III (1966-)			
					:	:		Diedre Landy (1970-)			
					:	:		James Landy (1974-)			
					:	:		Julia Landy (1868-dec.)			
					:	:		+Daniel Webster Caulfield (1859-dec.)			
					:	:		Gertrude Caulfield			
					:	:		+Thomas Cooney			
					:	:		Thomas Cooney jr			
					:	:		+Joan			
					:	:		John Cooney			
					:	:		+Rita			
					:	:		Winfield Caulfield			
					:	:		Catherine (Kate) Landy (1871-dec.)			
					:	:		+Gerald (Jerry) McCue			
					:	:		Gertrude McCue			
					:	:		Sr Dolores McCue OP			
					:	:		Katie McCue			
					:	:		Richard McCue			
					:	:		+Judy Woodruff			
					:	:		John R Landy (1874-dec.)			

=====
 AM ENDE

RED LETTER DAYS

JANUARY 1990

23 Tue 1967 (23 yrs) Birth of Kenneth Michael Landy

FEBRUARY 1990

2 Fri 1931 (59 yrs) Birth of Brian Kirby
1936 (54 yrs) Birth of Cecelia Eileen Landy

MARCH 1990

APRIL 1990

13 Fri 1974 (16 yrs) Birth of James Landy
24 Tue 1970 /¹⁵ (20 yrs) Birth of Diedre Landy
29 Sun 1964 (26 yrs) Birth of Barbara Jean Landy

MAY 1990

8 Tue 1964 (26 yrs) Birth of Clifford James Beairsto
20 Sun 1989 (1 yrs) Marriage of Patrick Farrell and Barbara Jean Landy

JUNE 1990

7 Thu 1965 (25 yrs) Birth of Maureen Landy
9 Sat 1898 (92 yrs) Birth of Florence Landy
17 Sun 1933 (57 yrs) Birth of John Berchman Landy
19 Tue 1902 (88 yrs) Birth of Irene Anspate

JULY 1990

AUGUST 1990

1 Wed 1937 (53 yrs) Birth of Matthew Aloysius Landy jr
7 Tue 1960 (30 yrs) Birth of Deborah Jean Beairsto

SEPTEMBER 1990

12 Wed 1959 (31 yrs) Marriage of John Berchman Landy and Jean Teresa McNeill
14 Fri 1985 (5 yrs) Marriage of Brendan Thomas Landy and Rhonda Bottolfson
27 Thu 1968 (22 yrs) Birth of Kelly Anne Beairsto.

OCTOBER 1990

8 Mon 1960 (30 yrs) Birth of Brendan Thomas Landy
19 Fri 1963 (27 yrs) Birth of Timothy Raymond Beairsto

NOVEMBER 1990

17 Sat 1961 (29 yrs) Birth of Kevin Matthew Beairsto

DECEMBER 1990

2 Sun 1906 (84 yrs) Birth of Mary (Marion) Lillian Murphy
8 Sat 1961 (29 yrs) Birth of John Matthew Landy
17 Mon 1966 (24 yrs) Birth of Matthew Aloysius Landy III
20 Thu 1933 (57 yrs) Birth of Jean Teresa McNeill

Num	Name	Born	Died
1	James Landy	4/13/1874	

Parents

2	Matthew Aloysius Landy Jr.	8/1/1837	
3	Patrice Devine	6/7/1837	

Grand Parents

4	Matthew Aloysius Landy	1/7/1808	10/1/61
5	Marion Murphy	12/2/1806	
6	James Devine		aft. 1865
7	Eleanor Daly		c. 1872 ?

Great Grand Parents

8	James J. Landy	10/00/1865	3/11/1927
9	Celia Head	10/28/1864	12/19/1953
10	Michael Joseph Murphy	11/28/1872	12/12/1924
11	Celia Brody	8/17/1863	c. 1947

Great Great Grand Parents

12	James W. Landy	c. 1838	c. 1887
13	Bridget Lavin	c. 1836	c. 19127
14	John Head	2/00/1837	3/21/1887
15	Mary Brennan	c. 1848	abt 2/19/1924
16	Michael Joseph Murphy	c. 1846	c. 1918
17	Mary Burke	12/12/18517	1/00/1907
18	Michael Brody	c. 1847	8/20/1904
19	Ellen Hogan	c. 1847	2/00/1916

Great Great Great Grand Parents

20	Mr. Senior Eldest Landy	c. 1735	Def. 1875
21	Mrs. Unknown Landy	c. 1735	Def. 1875
22	Mr. Unknown Lavin	c. 1800	Def. 1900
23	Mrs. Unknown Lavin	c. 1800.	Def. 1900
24	Mr. Eldest Head	c. 1735	Def. 1875
25	Mrs. Eldest Head	c. 1735	Def. 1875
26	Mr. Unknown Brennan	c. 1800	Def. 1890
27	Mrs. Unknown Brennan	c. 1800	Def. 1890
28	Mr. Eldest Murphy	c. 1800	
29	Mrs. Eldest Murphy	c. 1800	
30	Michael Burke	c. 1828	c. 1888
31	Margaret McCarthy	c. 1825	Aft. 1863
32	John Eldest Brody	c. 1800	Bfr. 1900
33	Mrs. Bridget (Eld.) Brody	c. 1800	Bfr. 1900
34	Thomas Eldest Hogan	c. 1805	Aft. 1862
35	Celia Birmingham	c. 1805	Aft. 1863

4th Great Grand Parents

36	James Eldest Burke	c. 1735	c. 1868
37	Mrs. Eldest Burke	c. 1735	c. 1868
38	Eldest Hugh Hogan	c. 1770+/-5	Def. 1870+/-5
39	Mrs. Eldest Hogan	c. 1770+/-5	Def. 1870+/-5
40	Mr. Eldest Birmingham	c. 1735	

Num	Name	Born	Died
1	Matthew Aloysius Landy Jr.	8/1/1937	
Parents			
2	Matthew Aloysius Landy	1/7/1908	10/1/61
3	Marion Murphy	12/2/1906	
Grand Parents			
4	James J. Landy	10/00/1865	3/11/1927
5	Delia Head	10/28/1864	12/19/1953
6	Michael Joseph Murphy	11/28/1872	12/12/1924
7	Celia Brody	8/17/1869	c. 1947
Great Grand Parents			
8	James M. Landy	c. 1830	c. 1887
9	Bridget Lavin	c. 1836	c. 19137
10	John Head	2/00/1837	3/21/1887
11	Mary Brennan	c. 1840	abt 2/19/1924
12	Michael Joseph Murphy	c. 1846	c. 1918
13	Mary Burke	12/12/18517	1/00/1907
14	Michael Brody	c. 1847	8/20/1904
15	Ellen Hogan	c. 1847	2/00/1916
Great Great Grand Parents			
16	Mr. Senior Eldest Landy	c. 1795	Def. 1875
17	Mrs. Unknown Landy	c. 1795	Def. 1875
18	Mr. Unknown Lavin	c. 1800	Def. 1900
19	Mrs. Unknown Lavin	c. 1800	Def. 1900
20	Mr. Eldest Head	c. 1795	Def. 1875
21	Mrs. Eldest Head	c. 1795	Def. 1875
22	Mr. Unknown Brennan	c. 1800	Def. 1890
23	Mrs. Unknown Brennan	c. 1800	Def. 1890
24	Mr. Eldest Murphy	c. 1800	
25	Mrs. Eldest Murphy	c. 1800	
26	Michael Burke	c. 1820	c. 1890
27	Margaret McCarthy	c. 1825	Aft. 1863
28	John Eldest Brody	c. 1800	Dfr. 1900
29	Mrs. Bridget (Eld.) Brody	c. 1800	Dfr. 1900
30	Thomas Eldest Hogan	c. 1805	Aft. 1862
31	Celia Birmingham	c. 1805	Aft. 1863
Great Great Great Grand Parents			
32	James Eldest Burke	c. 1795	c. 1860
33	Mrs. Eldest Burke	c. 1795	c. 1860
34	Eldest Hugh Hogan	c. 1770+/-5	Def. 1870+/-5
35	Mrs. Eldest Hogan	c. 1770+/-5	Def. 1870+/-5
36	Mr. Eldest Birmingham	c. 1795	
37	Mrs. Alice (Eld.) Birmingham	c. 1795	

Num	Name	Born	Died
1	Marion Murphy	12/2/1906	

Parents

2	Michael Joseph Murphy	11/28/1872	12/12/1924
3	Celia Brody	8/17/1863	c. 1947

Grand Parents

4	Michael Joseph Murphy	c. 1846	c. 1918
5	Mary Burke	12/12/1851	1/00/1907
6	Michael Brody	c. 1847	8/28/1904
7	Ellen Hogan	c. 1847	2/00/1916

Great Grand Parents

8	Mr. Eldest Murphy	c. 1800	
9	Mrs. Eldest Murphy	c. 1800	
10	Michael Burke	c. 1820	c. 1880
11	Margaret McCarthy	c. 1825	Aft. 1863
12	John Eldest Brody	c. 1800	Bfr. 1900
13	Mrs. Bridget (Eld.) Brody	c. 1800	Bfr. 1900
14	Thomas Eldest Hogan	c. 1805	Aft. 1862
15	Celia Bermingham	c. 1805	Aft. 1863

Great Great Grand Parents

20	James Eldest Burke	c. 1735	c. 1800
21	Mrs. Eldest Burke	c. 1735	c. 1800
22	Eldest Hugh Hogan	c. 1770+/-5	Ref. 1870+/-5
23	Mrs. Eldest Hogan	c. 1770+/-5	Ref. 1870+/-5
24	Mr. Eldest Bermingham	c. 1735	
25	Mrs. Alice (Eld.) Bermingham	c. 1735	

Matthew Aloysius Landy Jr.
Born 8/1/1937 12
in St. John's Hospital, Yon

Michael Joseph Murphy

Born 11/28/1872 226
in Granby/West Granby Conn.
Marr 12/11/1905
in Church of St. John/Evang
Died 12/12/1924
in Bronx, N.Y.

Marion Murphy

Born 12/2/1906 8
in Yorkville, N.Y.C.

Celia Brody

Born 8/17/1869 240
in Lismuinga West, Cty. Cla
Died 3/29/1947
in 246 3rd Avenue, New York

Australian record holder
for the mile run. — Landy,
Where he come from?

Carrafin
Ruan
Carrafin (pronounced Carrafin)

James J. Landy

Born 10/00/1865 34

in Yonkers, N.Y.

Marr 9/21/1892

in Sacred Heart Church, Yonk

Died 3/11/1927

in Yonkers, N. Y.

Matthew Aloysius Landy

Born 1/7/1908 7

in Yonkers, N.Y.

Marr 8/25/1932

in St. Jerome's R.C. Church, B

Died 10/1/61

-in 38 Tower Place, Yonkers,

Delia Head

Born 10/28/1864 35

in Yonkers, N.Y.

Died 12/19/1953

in Yonkers, N.Y.

Born c.1800 525
in Cty Galway, Ireland
Died Bef.1890
in Cty Galway, Ireland

Mr. Eldest Murphy

Born c.1800 399
in Cty. ?????? Ireelan
Marr c. 1830
in Irela

Michael Joseph Murphy

Born c.1846 219
in Irel
Marr c. 1869
in Conn.
Died 10/29/1922
in Florence, Mass.

Mrs. Eldest Murphy

Born c.1800 400
in Cty.????? Ireelan

Michael Burke

Born c.1820 265
in Limerick, Ireland?
Marr c.1845
in Limerick, Ireland
Died c.1880

Mary Burke

Born 12/12/1851? 220
in #14Ann St. Limerick, Ire
Died 1/28/1907
in Florence, Mass.

Margaret McCarthy

Born c.1825 266
in Limer
Died Aft. 1863
in Possibly Simsbury Ct. re

John Eldest Brody

Born Cir.1800 341
in Lismuinga West, Cty. Cla
Marr c.1829
in Cty. Clare Ireland?
Died Bfr.1900
in Lismuinga West, Cty. Cla

Michael Brody

Born Cir.1847 343
in Lismuinga West, Cty. Cla
Marr 7/19/1865
in Crusheen, Corrofin, Cty.
Died 8/20/1904
in New York City, N.Y.

Mrs. Bridget (Eld.) Brody

Born Cir.1800 342
in Lismuinga West, Cty. Cla
Died Bfr.1900
in Lismuinga West, Cty. Cla

Thomas Eldest Hogan

Born c.1805 302
in Cloonawillen/Crusheen/Ct
Marr c.1832
in Cloonawillen/Crusheen/Ct

Ellen Hogan

Mr. Senior Eldest Landy

Born c.1795 510
in County Tipperary/Mayo, I
Marr c.1829
in County Tipperary/Mayo, I
Died Bef.1875
in County Tipperary/Mayo, I

Mrs. Unknown Landy

Born c.1795 511
in County Tipperary/Mayo, I
Died Bef.1875
in County Tipperary/Mayo, I

Mr. Richard Lavin

Born c.1800 493
in Irel
Marr
in Church,
Died Bef. 1900
in "

Bridgit Lavin

Born c.1800. 494
in Irel
Died Bef. 1900
in "

Mister Eldest Head

Born c.1795 163
in Cty. Galway. Ireland
Marr c.1835
in Kilimore, Cty. Galway, I
Died Bef. 1875
in Cty. Galway. Ireland

Mrs. Eldest Head

Born c.1795 164
in Cty. Galway, Ireland
Died Bef. 1875
in Cty. Galway, Ireland

Mr. Unknown Brennan

Born c.1800 524
in Cty. Galway, Ireland
Marr c.1835
in Cty. Galway. Ireland
Died Bef. 1890
in Cty. Galway. Ireland

Mrs. Unknown Brennan

James W. Landy

Born c.1830 19
in , Ir
Marr c.1857
in St. Mary,sChurch, Yonker
Died c.1887
in Yonkers,N.Y.

Bridgit Lavin

Born Cir.1844 20
in I
Died 12/15/1900
in Yonkers,N.Y.

John Head

Born 2/00/1837 427
in Kilimore, County Galway,
Marr c.1863
in St. Mary's Church, Yonke
Died 3/21/1887
in Yonkers, N.Y.

Mary Brennan

Born c.1840 71
in Cty.
Died abt2/19/1924
in Yonkers, N.Y.

Born c.1847
in Cloonawillen/Crusheen/Ct
Died 2/00/1916
in Ridgewood, Brooklyn, N.

309

Died Aft.1862
in Cloonawillen/Crusheen/Ct

Celia Bermingham

Born c.1805
in Ardrahan,County Galway,
Died Aft. 1863
in Cloonawillen/Crusheen/Ct

303

Mr. Eldest Bermingham		0
Born c.1795	355	0
Mrs. Alice (Eld.) Bermingham		0
Born c.1795	356	0

09-18-1995 Family Tree

A.num	Num	Died	Buried: Place	Name
1	12			Matthew Aloysius Landy Jr.
Parents				
2	7	10/1/61	St. Mary's Cemetery,	Matthew Aloysius Landy
3	8			Marion Murphy
Grand Parents				
4	34	3/11/1927	St. Mary's Cemetery,	James J. Landy
5	35	12/19/1953	St. Mary's Cemetery,	Delia Head
6	226	12/12/1924	Calvary Cemetery, N.	Michael Joseph Murphy
7	240	3/29/1947	Sect.30,Range1,Plot	Celia Brody
Great Grand Parents				
8	19	c.1887	St. Joseph's Cemetery	James W. Landy
9	20	12/15/1900	St. Joseph's Cemeter	Bridgit Lavin
10	427	3/21/1887	St. Mary's Cemetery,	John Head
11	71	abt2/19/1924	St. Mary's Cemetery,	Mary Brennan
12	219	10/29/1922	St. Mary's Cemetery,	Michael Joseph Murphy
13	220	1/28/1907	St. Mary's Cemetery,	Mary Burke
14	343	8/20/1904	Calvary/Sec19/Range6	Michael Brody
15	309	2/00/1916	Calvary/Sec19/Range6	Ellen Hogan
Great Great Grand Parents				
16	510	Bef.1875	County Tipperary/May	Mr. Senior Eldest Landy
17	511	Bef.1875	County Tipperary/May	Mrs. Unknown Landy
18	493	Bef. 1900		Mr.Richard Lavin
19	494	Bef. 1900		Bridgit Lavin
20	163	Bef. 1875	Cty. Galway. Ireland	Mister Eldest Head
21	164	Bef. 1875	Cty. Galway, Ireland	Mrs. Eldest Head
22	524	Bef. 1890	Cty. Galway. Ireland	Mr. Unknown Brennan
23	525	Bef.1890	Cty Galway, Ireland	Mrs. Unknown Brennan
24	399			Mr. Eldest Murphy
25	400			Mrs. Eldest Murphy
26	265	c.1880		Michael Burke
27	266	Aft. 1863	Possibly Simsbury Ct	Margaret McCarthy
28	341	Bfr.1900	Lismuinga West, Cty.	John Eldest Brody
29	342	Bfr.1900	Lismuinga West, Cty.	Mrs. Bridget (Eld.) Brody
30	302	Aft.1862	Cloonawillen/Crushee	Thomas Eldest Hogan
31	303	Aft. 1863	Cloonawillen/Crushee	Celia Bermingham
Great Great Great Grand Parents				
52	262	c.1860	Limerick, Ireland?	James Eldest Burke
53	263	c.1860	Limerick,Ireland ?	Mrs. Eldest Burke
60	566	Bef.1870+/-5	County Clare, Irelan	Eldest Hugh Hogan
61	567	Bef. 1870+/-	County Clare, Irelan	Mrs. Eldest Hogan
62	355			Mr. Eldest Bermingham
63	356			Mrs. Alice (Eld.) Bermingham

Husband: Michael Joseph Murphy Jr

Born: November 28, 1872 in: West Gramby, Ct.
Married: in:
Died: December 12, 1924 in: Bronx, New York
Burial:
Father:
Mother:
Other Spouses:

Wife: Celia Brodie

Born: August 17, 1869 in: Lismuinga Ruan, County Clare, Ireland
Died: March 29, 1947 in: New York City, NY
Burial:
Father:
Mother:
Other Spouses:

CHILDREN

1	Name: Marion Lillian Murphy Born: December 02, 1906 Died: February 02, 1997 Burial: February 05, 1997 Married: August 1932 Spouse: Matthew A. Landy	in: Yorkville, NYC, NY in: Winter Springs, Florida in: Altamonte Springs, Florida in: Bronx, New York
F		
2	Name: Born: Married: Died: Burial: Spouse:	in: in: in: in:
3	Name: Born: Married: Died: Burial: Spouse:	in: in: in: in:
4	Name: Born: Married: Died: Burial: Spouse:	in: in: in: in:
5	Name: Born: Married: Died: Burial: Spouse:	in: in: in: in:
6	Name: Born: Married: Died: Burial: Spouse:	in: in: in: in:

FOURTH GENERATION

8. James W⁴ Landy. Born, circa 1830 (?), in Ireland. Census: 1880, in Westchester Co, NY p46. Occupation: Gardener. Resided at 28 Cottage Place, Yonkers, NY

He married Bridget (9), circa 1857. Children:

- i. Mary J³ Landy. Born, circa 1859, in Yonkers, NY.
- ii. Anastasia Landy. Born, circa 1860, in Yonkers, NY.
- iii. Margaret Landy. Born, circa 1861, in Yonkers, NY.
- iv. Elizabeth Landy. Born, circa 1862, in Yonkers, NY.
- v. Bessie Landy. Born, circa 1864, in Yonkers, NY.
- 4 vi. James J Landy.
- vii. Julia Landy. Born, circa 1868, in Yonkers, NY. She married Daniel Webster Caulfield. Lived in the caretakers house - Lennon Park.
- viii. Catherine (Kate) Landy. Born, circa 1871, in Yonkers, NY. She married Gerald (Jerry) McCue. Resided on Voss Ave, Yonkers, NY
- ix. John R Landy. Born, circa 1874, in Yonkers, NY.

9. Bridget⁴. Born, circa 1830, in Ireland. Occupation: Housewife. Unable to read or write.

She married James W Landy (8).

10. James J⁴ Head.

He married Mary Brennan (11), circa 1864, in St Marys, /StJosephs, Yonkers, NY. Children:

- 5 i. Delia³ Head.
- ii. John Head. Born, Oct 1874, in Yonkers, NY. Burial in Yonkers, NY. Died when decapitated by a Trolley Car.
- iii. Mary (Mae) Head. Born, Apr 1875, in Yonkers, NY. Burial in Yonkers, NY. Occupation: Seamstress. Maid of Honor (and only female attendant) at sister Delia's Wedding.
- iv. Julia Head. Born, Oct 1878, in Yonkers, NY. Occupation: Seamstress.
- v. James J Head. Born, Jan 1879, in Yonkers, NY. He married Mary Landy, circa 1901.
- vi. Catherine Head. Born, Jul 1881, in Yonkers, NY. Died in Trenton, NJ. She married Robert Thurston.
- vii. Matthew Head. Born, Dec 1882, in Yonkers, NY. Burial in St Marys Cem, Yonkers, NY. Died at Poughkeepsie of a mental breakdown, NY State Hospital, following lengthy period of hospitalization after brother John's tragic death - Previously they had been roommates at the family home.

11. Mary⁴ Brennan (?⁵). Born in Galway ? Ireland.

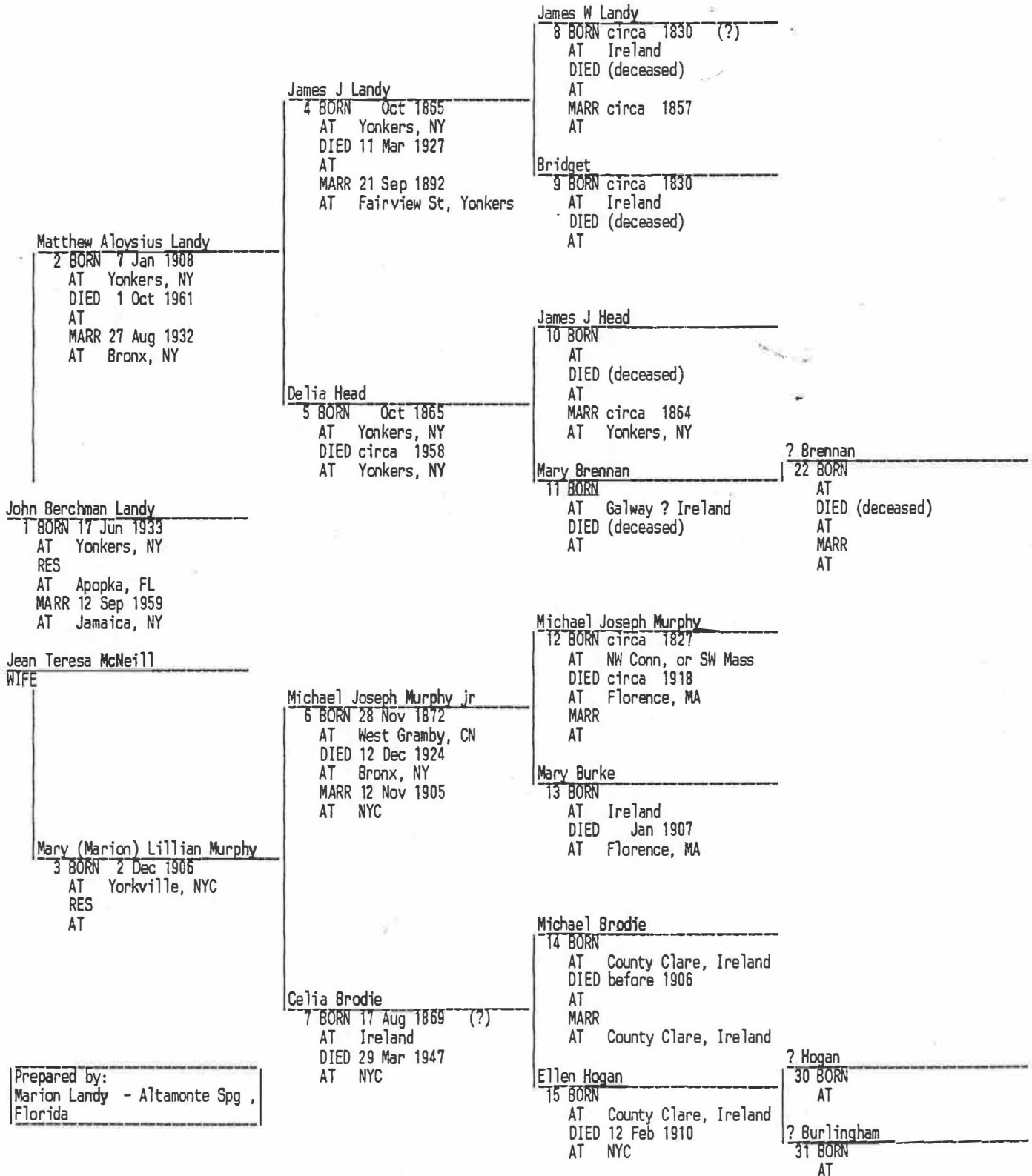
She married James J Head (10).

12. Michael Joseph⁴ Murphy. Born, circa 1827, in NW Conn, or SW Mass. Died, circa 1918, in Florence, MA. Burial in Florence, MA. Occupation: Farmer. In his latter years he lived with his daughter Elizabeth and her husband George McCarthy.

He married Mary Burke (13). Children:

- i. Mary (Minnie)³ Murphy. Born in West Gramby, CN. Died, 27 Dec 1943 (?), in Sprngfld Gardens, NY. Burial in St

THE PEDIGREE OF JOHN BERCHMAN LANDY



Dear Al,

Here is that info we talked about. Father John Hogan, The Presbytery, Church Road, Nenagh, County Tipperary. I also found that Nana was born on August 17, 1869 in Lismuinga Ruan, County Clare.

I also forgot to mention that I put flowers out in the cemetery for you, Pat and Jim. I will also do the same at Easter for you.

Take care,

Eileen