

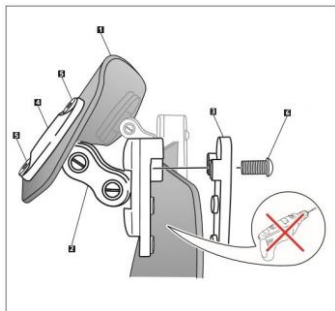
## MOUNTING INSTRUCTION - CLIP ON WINDSCREEN EXTENDER

Thanks for choosing the ProSpec windscreen extender. The extender is a two position adjustable to ensure added riding comfort.

Please follow the instruction carefully to ensure the desired benefit of the extender.

Unscrew the two numbers of SI no 6 screws and unclamp the back plate of SI 3 clamp, position the extender symmetrically and reverse the procedure.

*Note: Some parts are pre-assembled, though ProSpec performance parts are designed for DIY installation is it is recommended you have the spoiler installed by a technician if you face difficulty.*



Extender to be cleaned using water, neutral soap and sponge or microfiber cloth.

Never wipe using dry cloth or use solvent as they may scratch or damage the surface texture

Sl.	DESCRIPTION	QTY.
1	Screen	1
2	2 Position adjuster mechanism (set)	1
3	Clip on mount (set)	1
4	Front cap	2
5	Type B Philips head screw M6 x 10	4
6	Philips head screw M6 X 15	2

*Note: For windscreen thickness 3 – 5 mm*

No 14 Orchid, 6/5 Ganga Garden,  
HM Road, Kalyan Nagar,  
Bangalore -560043,  
Karnataka, INDIA.  
+91 9620484111



**Pro-Spec**  
PERFORMANCE PARTS