



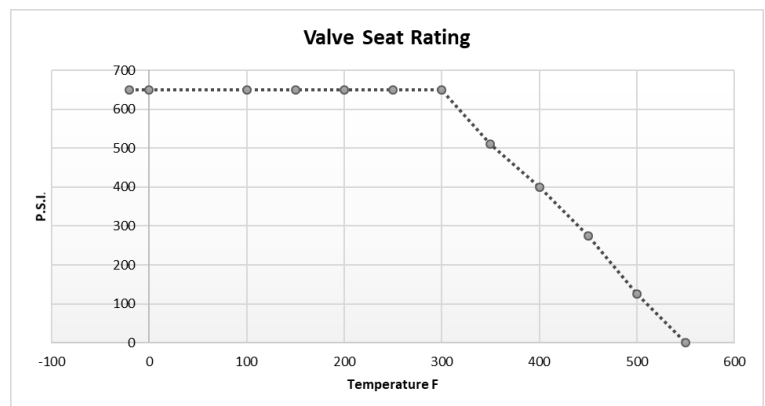
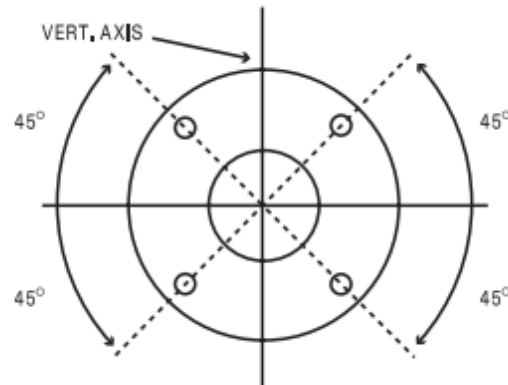
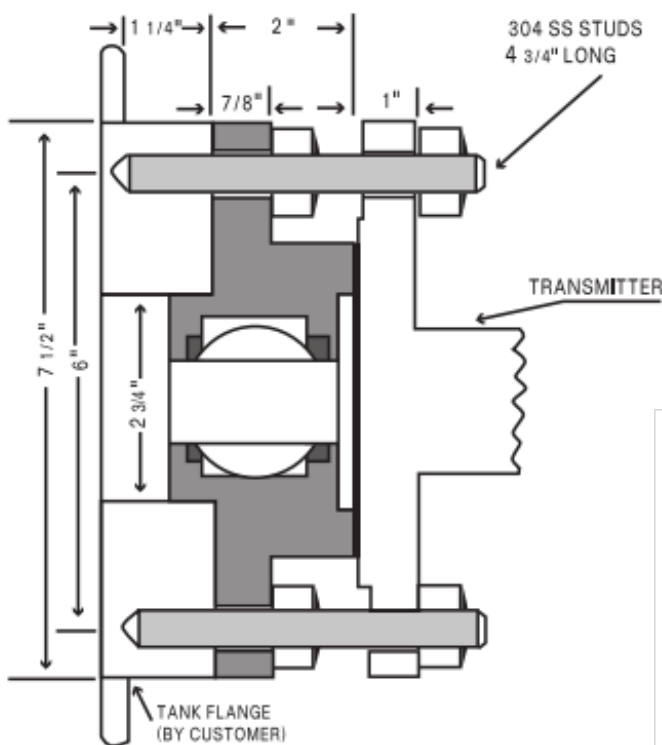
TRANS-VALVE
—SPECIALTY VALVES FOR INDUSTRY—

Figure 115 BD Transmitter Isolation Ball Valve

Fig. 115 BD Technical and Dimensional Data :

Fig. 115 BD has a stud bolt orientation designed for ANSI 150 # 4 bolt flange pattern.

- Valve pressure rated to 275 PSI
- Valve seats are 50% SS and 50% TFE and designed for momentary, intermittent purge with steam rated at 250 SWP and are temperature rated -20 degrees F to 550 degrees F

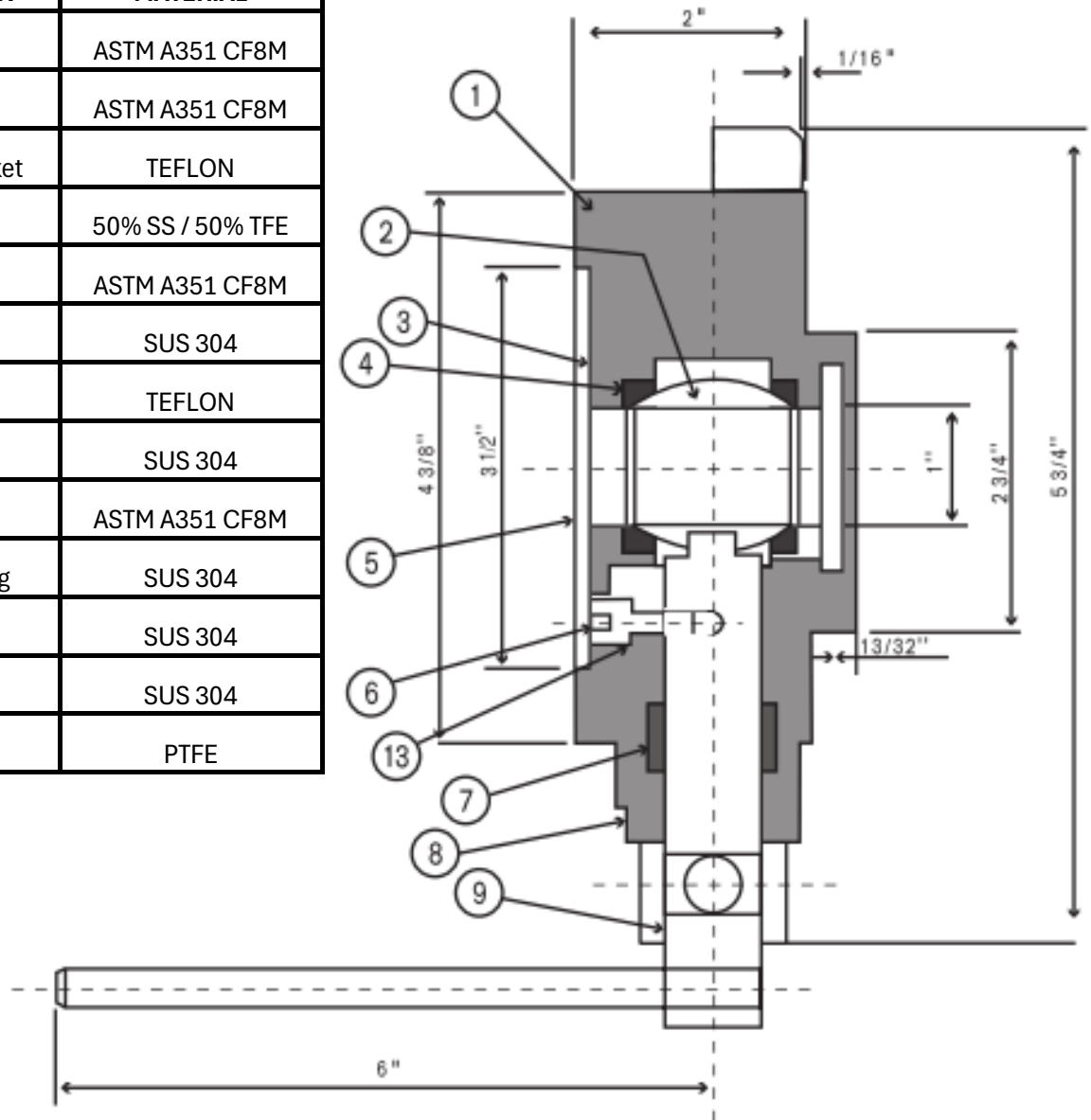




TRANS-VALVE
—SPECIALTY VALVES FOR INDUSTRY—

Figure 115 BD
Transmitter Isolation
Ball Valve

ITEM	DESCRIPTION	MATERIAL
1	Body	ASTM A351 CF8M
2	Ball	ASTM A351 CF8M
3	Retainer Gasket	TEFLON
4	Seat	50% SS / 50% TFE
5	Retainer	ASTM A351 CF8M
6	Stop Pin	SUS 304
7	Packing	TEFLON
8	Gland Nut	SUS 304
9	Stem	ASTM A351 CF8M
10	1/4" NPT Plug	SUS 304
11	Lockout Pin	SUS 304
12	Name Plate	SUS 304
13	Seal	PTFE



www.trans-valve.com



TRANS-VALVE
—SPECIALTY VALVES FOR INDUSTRY—



TRANS-VALVE
—SPECIALTY VALVES FOR INDUSTRY—

Figure 115 BD
Transmitter Isolation
Ball Valve

