



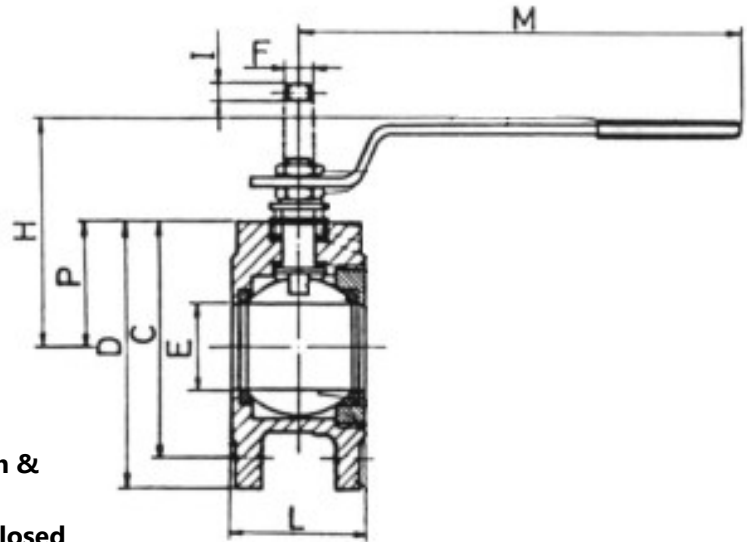
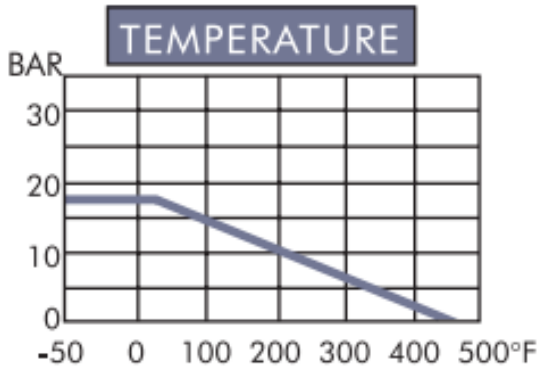
TRANS-VALVE
—SPECIALTY VALVES FOR INDUSTRY—

Figure 305 AT
Transmitter Isolation
Ball Valve

Fig. 305 AT Technical and Dimensional Data:

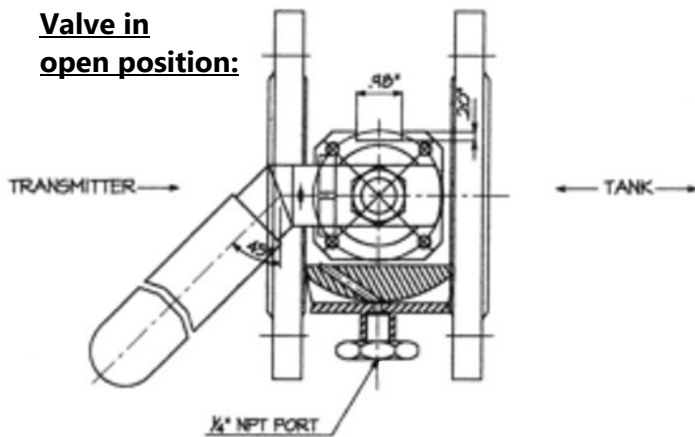
Dimensions

Size	L	C	D	E	P	H	I	F	M
Inches	4.65"	6.30"	7.87"	3.00"	3.39"	6.10"	.55"	.87"	12.99"
mm	118	160	200	76	86	155	14	22	330



- Face to face ANSI B16.10
- Flange ANSI B16.5 150 # flange 4 bolt pattern & 26° to 28° knife gate offset on tank end.
- 100% Tested air under water 80 PSI open & closed
- Hydrostatic test: Shell @ 425 PSI, Seat @ 300 PSI

Valve in open position:



Valve Size in Inches / mm **Flow Coefficient** **Limiting Stem Input Torque**

3.00 Inches	350 Cv	284 ft. lbf
80 mm	303 Kv	385 Nm

Cv flow in gallons / minute. Pressure in PSI.
Kv flow in meters / hour. Pressure in Bar.

www.trans-valve.com

Rev. 1 10.23.23



TRANS-VALVE
—SPECIALTY VALVES FOR INDUSTRY—