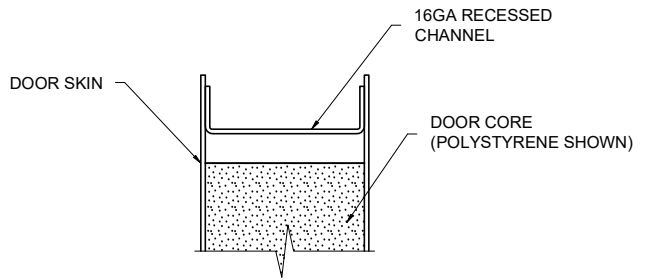
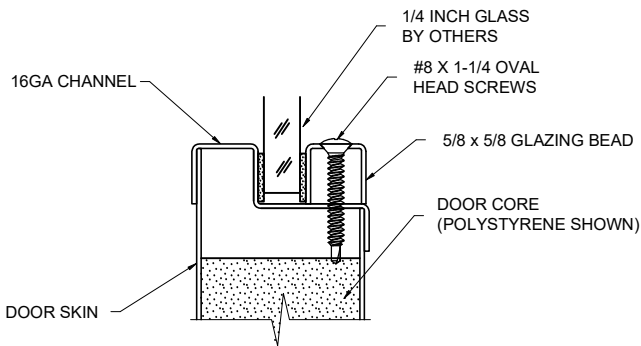


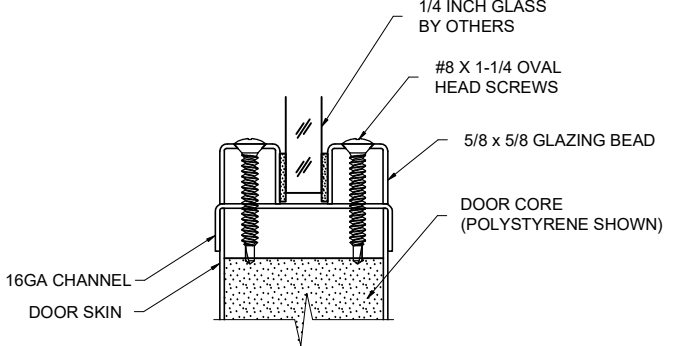
**CO** CUTOUT ONLY



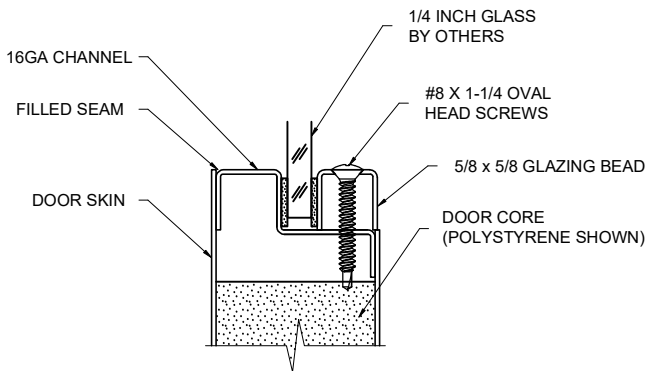
**COC** CUTOUT CHANNELED



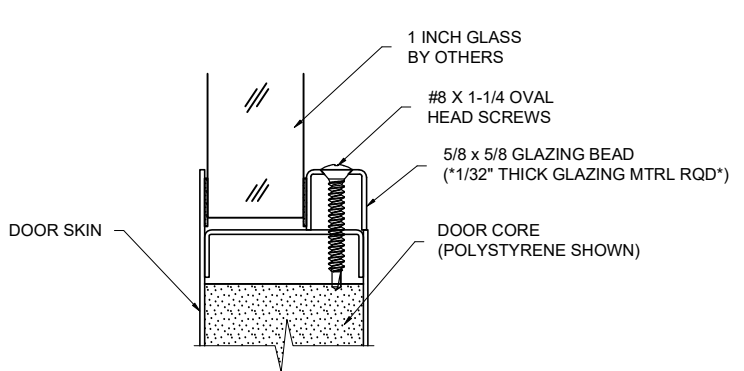
**WIN1** CLIP OVER KIT W/ APPLIED STOP



**WIN2** CLIP OVER KIT W/DOUBLE APPLIED STOP



**INT1** INTEGRAL KIT 1 (NARROW POCKET)



**INT2** INTEGRAL KIT 2 (WIDE POCKET)

**\*\*NOTE : ALL DRAWINGS ARE BASED ON 1-3/4" THICK DOORS, CUSTOM OPTIONS AVAILABLE, PLEASE CONTACT YOUR SALES REP WITH ANY INQUIRIES\*\***

|      |          |    |  |  |            |        |        |
|------|----------|----|--|--|------------|--------|--------|
|      |          |    |  | 602 S. 65TH AVE.<br>PHOENIX, AZ 85043<br>PHONE: (602) 641-7200<br>FAX: (623) 936-1325<br>WWW.DAYBAR-XPRESS.COM | CUSTOMER:  |        |        |
|      |          |    |  |  | REFERENCE: |        |        |
|      |          |    |  |  | DRAWING #: | SCALE: |        |
| DATE | REVISION | BY |  |  | DRAWN BY:  | DATE:  | SHEET: |