



TRU-FRAME®
A name you can build on.

Special "C" Viewguard™ Door Order Form
Fax Number: 530-221-5185

DATE: _____

DEALER: _____

Completed by: _____

PO#/ JOB NAME: _____

DOOR STYLE (circle one): **C614-Single Door** or **C634-French Door**

FINISH _____


QUANTITY _____ OUTSIDE SURROUND DIMENSIONS _____ x _____

_____ **(3)**-SIDED SURROUND (3-Sided Surround is Standard)

_____ **(4)**-SIDED SURROUND *(Option - No bottom Expander)

Outside Looking In - SPECIFY HINGE SIDE:

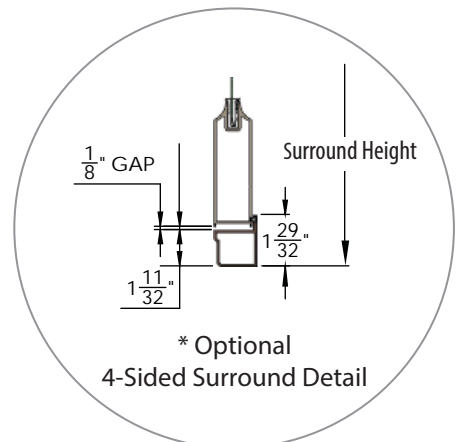
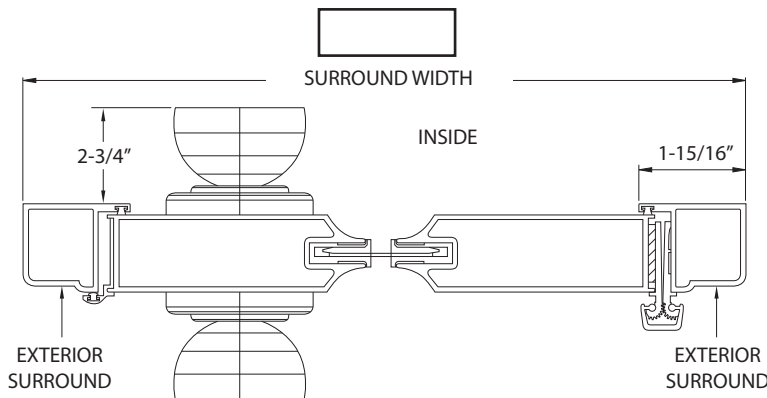
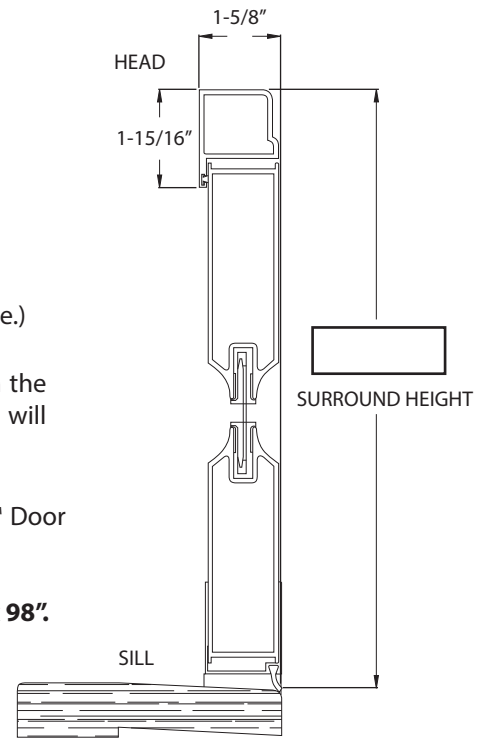
| | |
|--------------------|--------------------|
| Single Door | French Door |
| _____ RIGHT HINGE | _____ OX |
| _____ LEFT HINGE | _____ XO |

Locate Knob Lock Bore @ _____"  to top of Surround. (Deadbolt above.)

The dimensions for a Tru-Frame® Viewguard™ Security Door are derived from the details below (Width) and at right (Height). Measuring by these dimensions will provide a door that will fit your opening.

A standard size door opening that measures 36" x 80" will use a Viewguard™ Door with the "Overall" dimensions of 39-13/16" x 82".

Maximum Overall Size on a Tru-Frame® Viewguard™ Security Door is 48" x 98".



NOTE: Hardware is not included with the purchase of this door.
Please refer to catalog if hardware is needed.