

Physical Electric Layout Diagram - Sample

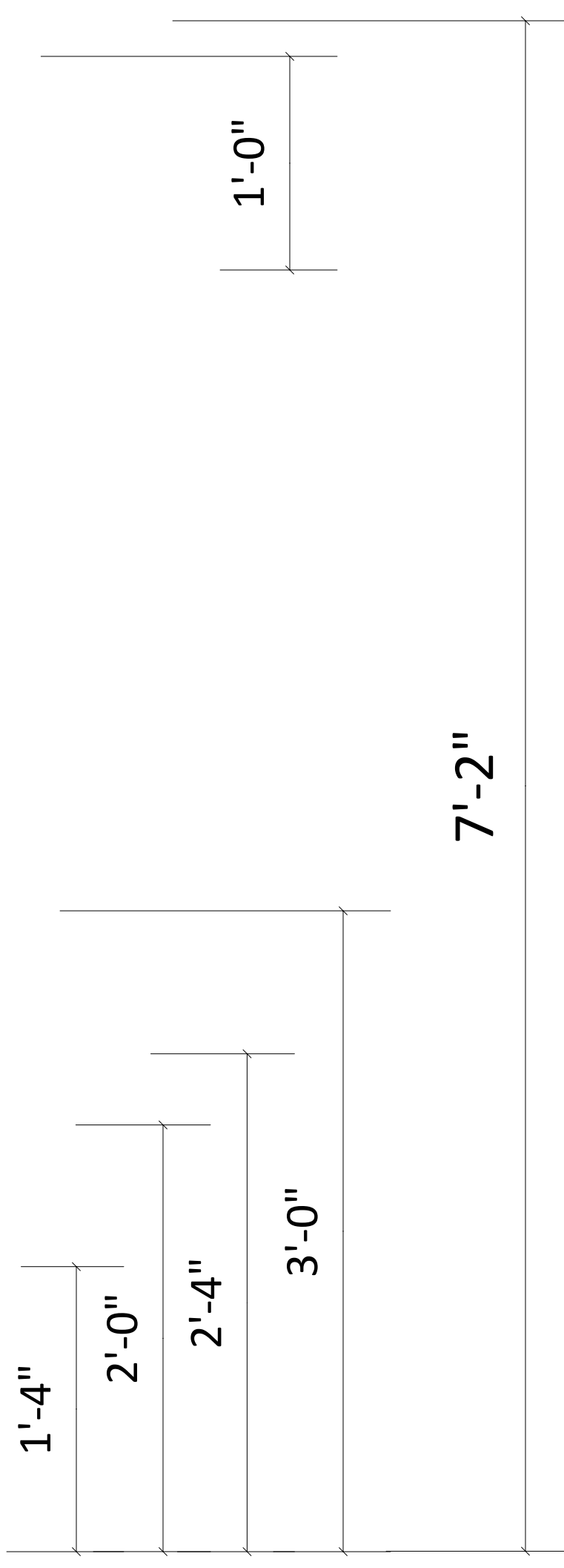
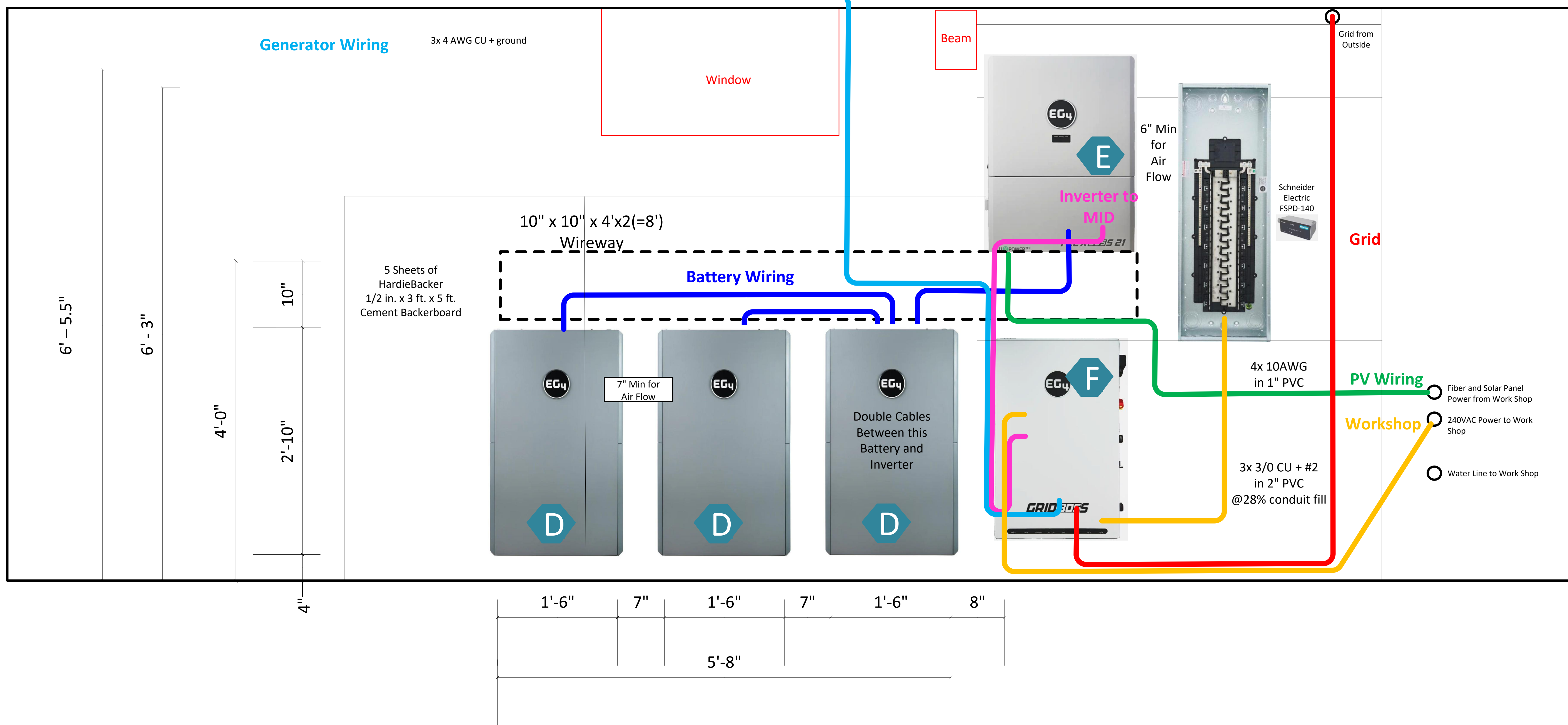
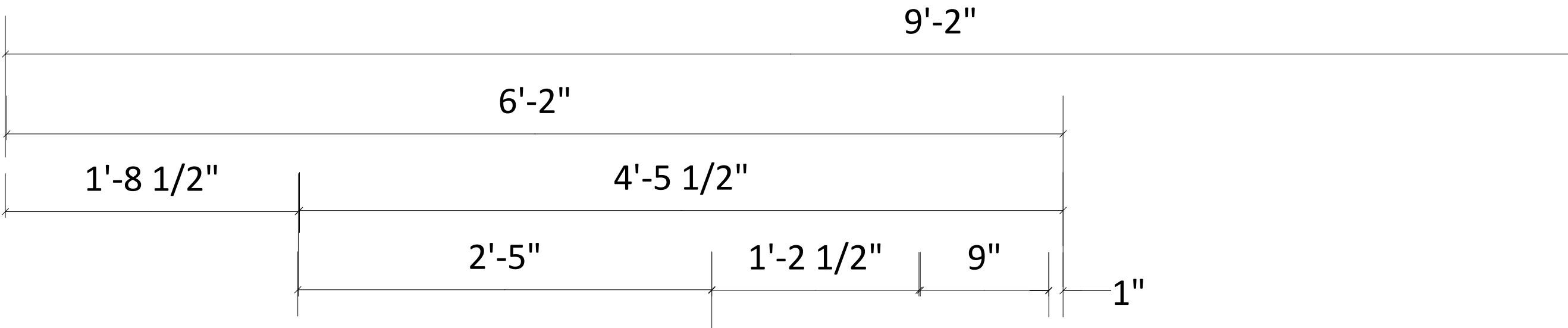
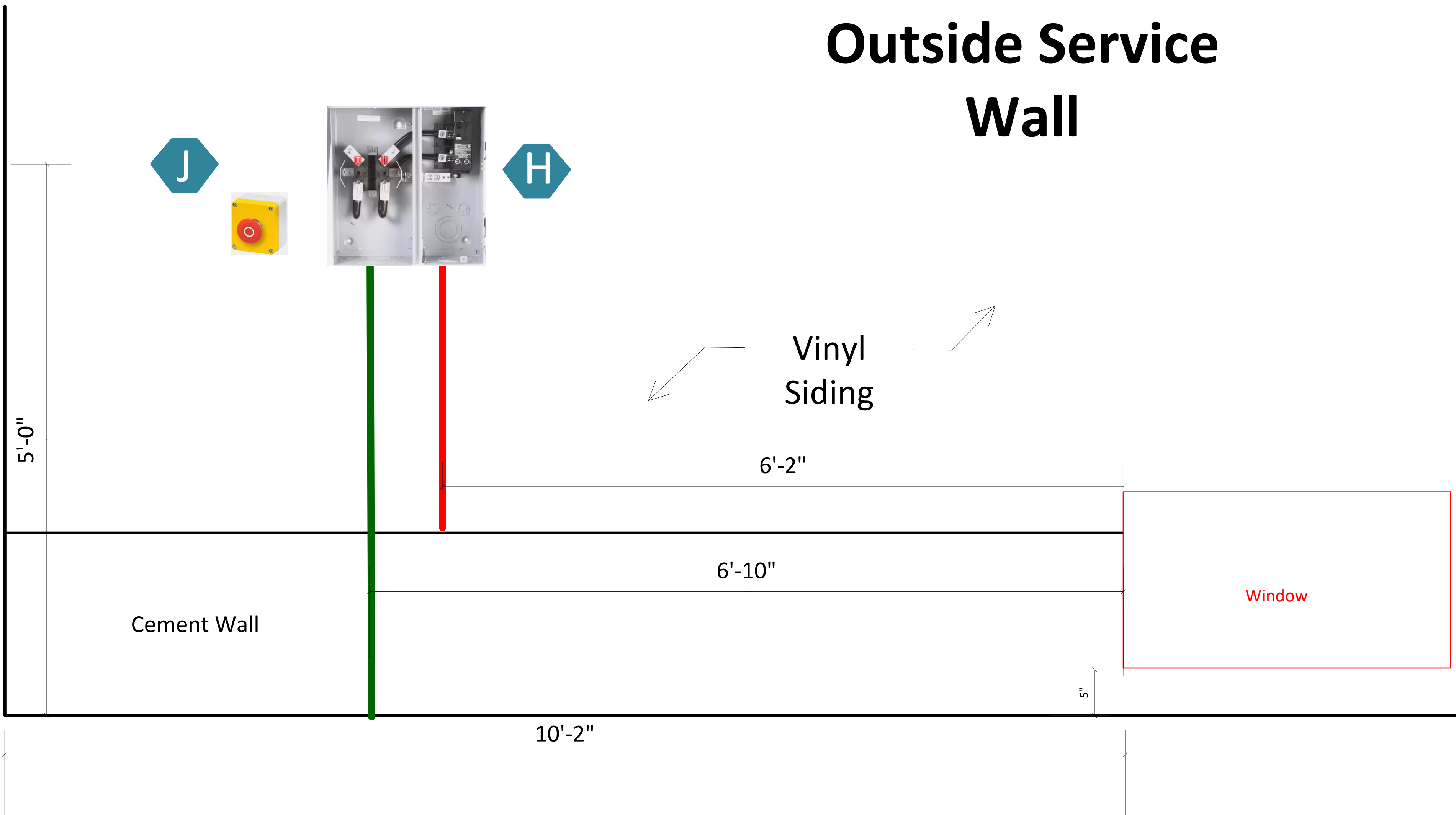
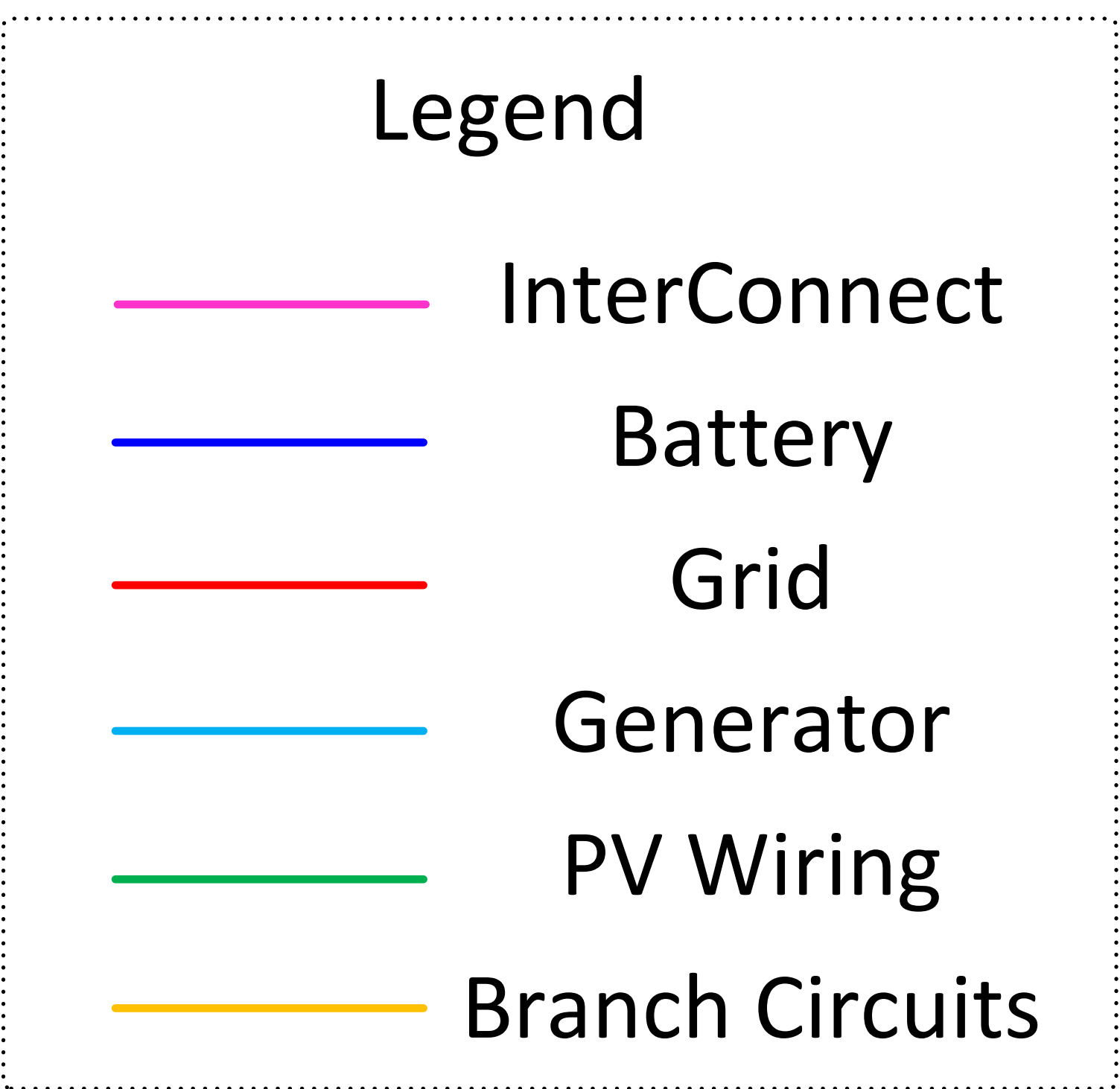
D EG4 PowerPro Inside Version
34.1 x 18.1 x 10.4 in
285 Lbs

F EG4 GridBOSS
31.5 x 19.7 x 7 in
55 Lbs

J Emergency Stop Switch
IMO - BG10P34-11

E EG4 FlexBOSS 21
30.43 x 22.28 x 11.22 in
115 Lbs

H Siemens MM0202B1200R
H: 17 in x W: 16.5 in x D: 5 in



Unfinished Basement Power Wall