

# GEORGETOWN TEXAS AREA CAR CLUB



---

Can you believe it's July already, the year is half over! Days are already getting shorter!

It's been a busy month for the club, we began the month with our monthly meeting, with 26 members present, at Smokey Moe's on the 3<sup>rd</sup> followed by a "parade" around area retirement homes after the meeting, sponsored by the Georgetown Beard Club.

On Friday the 9<sup>th</sup> several of us cruised to Leander to the Skye Luxury retirement home we enjoyed visiting with the guests & were served hamburgers & hot dogs.

The following day, July 10 we enjoyed touring Gordon Logan's personal collection of high-level cars. The collection includes Packards, Aston Martens, Jaguars and other very nice restored cars. Mr. Logan visited with us and pointed out special cars in his collection. We thank Gordon for his hospitality and for allowing us to view his remarkable collection.

Thanks to member Dick Read for helping to put this together.

Of course, the third Saturday saw us downtown Georgetown for July's edition of 'Pistons on the Square' If you didn't get there early you didn't get a good parking space....and no, I did not beat Greg this month either, even though I arrived downtown at 7AM!

If you have not attended a meeting or event recently, please do so, it's great to get as many club members together as possible, we feed off each other's knowledge and experience.

Our next meeting will be held at 8am on Saturday, August 7 at Smokey Moe's.

We welcome these new members:

Jerry Bletzacker, '53 MG TD, '64 Corvette Coupe, '67 Camaro

Bob Brook, '65 Corvette

# GEORGETOWN TEXAS AREA CAR CLUB



## Cruise in, July 9

As mentioned above, several members of the club cruised to Skye Luxury Retirement home in Leander on Friday, July 9. This was the result of a request from the Skye management to have classic cars available for residents to view as well as talk with the owners of these vehicles. Community friendly actions such as this gives our club some additional visibility.





# GEORGETOWN TEXAS AREA CAR CLUB



Gordon Logan collection, July 10



# GEORGETOWN TEXAS AREA CAR CLUB



Ever wonder what the push for total electric vehicles might mean to your Classic? Thanks to Brian Polk for forwarding this link.

<https://www.hagerty.com/media/market-trends/hagerty-insider/out-of-gas-what-green-regulations-could-mean-for-classics/>

Some GTACC club members at July Piston's on the Square...OK, so they're not all club members!

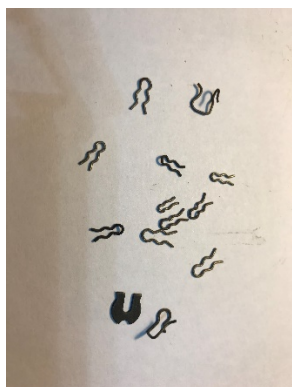




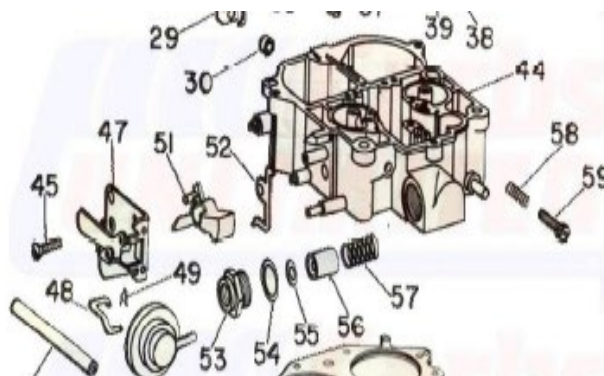
# GEORGETOWN TEXAS AREA CAR CLUB



Remember this picture from last month? Only 1 correct response...actually only 1 response in total, from member Greg Donica!



They're 'Jesus' clips



.....Why that name? Look at # 49 on this diagram, maybe that'll help!

## Upcoming events

Aug 7, Monthly GTACC meeting 8am at Smokey Moe's please plan to attend

Aug 14, GTACC monthly cruise in TBD

Oct 9, GTACC/Horney Toad H-D car show, the club benefits financially from this show, we will be looking for 9-10 volunteers'

Oct 30, Downtown Taylor, TX car show, possibility of reserved GTACC parking if enough interest

Nov 13, Bastrop Area Cruisers Veteran's Day car show. Pre-registration only, limited to 400 cars. GTACC committed to providing at least two judges, contact Rich Miller if interested.

Registration now open:

[https://bastropareacruisers.com/linked/2021\\_bac\\_car\\_show\\_flyer\\_6-20-21\\_v6.pdf](https://bastropareacruisers.com/linked/2021_bac_car_show_flyer_6-20-21_v6.pdf)

# GEORGETOWN TEXAS AREA CAR CLUB



This month's trivia question:

What is this tool used for? It weighs 5 lbs., if that helps!



Bored? Too much extra time on your hands? Looking to become more involved in GTACC? Here's your chance. Don Landry has announced that he will no longer serve as secretary of GTACC after 5+ years. So, we're looking for a replacement to fill this important role. If interested, contact any of the current officers.