

2026 STOCKMANS CHALLENGE SMALL ARENA SERIES



DAYBORO

Working Horse & Dog

COMMITTEE INC.

DAYBORO SHOWGROUNDS
ROUND 3

1ST & 2ND AUGUST 2026

*Plus - Saturday
Boxing Competition*



THANKS TO OUR DIAMOND SPONSORS



DAYBORO
PET AND RURAL

• Stockfeed and Rural Supplies •

(07)3425 2233

3546 Mount Mee Road, Dayboro, 4521, QLD

Pryde's

EasiFeed®

OX
HARDY
BLEWITT SPRINGS



DWHDC ★ 2026

Stockman's Challenge Series

Small Arena ★ Round 3

Saturday 23 & Sunday 24 May

Plus - Saturday BOXING competition

Event Overview

Location: Dayboro Showgrounds on Mount Mee Road, Dayboro, QLD

Be a member: All competitors must be financial members of both the Australian Stockman's Challenge Association (ASCA) and the Dayboro Working Horse & Dog Committee (DWHDC) for insurance purposes. You will need your ASCA membership number to join the DWHDC.

Check your gear: Please ensure you have the correct gear prior to entering the arena, as a gear marshal will be stationed at the gate.

Know the rules: Refer to the ASCA Rules for full details

<https://australianstockmanschallenge.com.au/about/rules-regulations/>.

Facilities and Amenities

- The **canteen** will open from 6:30 AM each day.
- The **bar** will be open Saturday only from noon till late.
- **Camping**, including **yards** and **power**, is available at \$25 per night.
- Please **bag manure** and drop at signed manure drop points.
- Please put your **rubbish** in the appropriate bin or take it with you.
- **Your volunteer job is SO important to help run our challenges for all members.**

Order of Classes:

The committee reserves the right to change the running order on the day.

SATURDAY Classes (7:00 AM Start)

1. Challenge Pattern & Utility Under 18
2. Challenge Pattern & Utility Open
3. Junior
4. Youth
5. Mini
6. Foundation
7. Intermediate
8. Unrestricted

Saturday Boxing

- Under 16
- Encouragement
- Open

SUNDAY Classes (7:00 AM Start)

9. Under 5
10. Under 7
11. Come and Try
12. Over 50s Amateur
13. Encouragement

Buckles are back for Overall Winners in 2026

Utility Classes

1. GARRARDS CHALLENGE PATTERN & UTILITY – UNDER 18

Entry Fee: \$20 (no cattle work)

- Ribbons awarded for first to sixth placegetters
- Overall winner receives an embroidered rug
- Prizemoney: 1st \$60.00, 2nd \$40.00, 3rd \$20.00
- Voucher for bag of Pryde's Easi Feed for 1st

GARRARDS
HORSE AND HOUND

2. GARRARDS CHALLENGE PATTERN & UTILITY – OPEN

Entry Fee: \$40 (no cattle work)

- Ribbons awarded for first to sixth placegetters
- Overall winner receives an embroidered rug
- Prizemoney: 1st \$100.00, 2nd \$60.00, 3rd \$40.00
- Voucher for bag of Pryde's Easi Feed for 1st

GARRARDS
HORSE AND HOUND

STOCKMANS CHALLENGE CLASSES

3. KIRSTY HOPKINS JUNIOR CHALLENGE

Entry Fee: \$60 (Includes Cattle Levy)

**Run under 5.13 ASCA Youth Restricted Stockman's Challenge:
12 years old and under - see 'Classes of Competition'**

- Ribbons awarded for first to sixth placegetters
- Overall winner receives an embroidered rug
- Prizemoney: 1st \$100.00, 2nd \$60.00, 3rd \$40.00
- Garrard's Gift Voucher: 1st \$80.00, 2nd \$40.00, 3rd \$20.00
- Voucher for bag of Pryde's Easi Feed for 1st



CATTLE WORK – Boxing

4. HH EQUESTRIAN YOUTH CHALLENGE

Entry Fee: \$60 (Includes Cattle Levy)

Run under 5.13 ASCA Youth Restricted Stockman's Challenge:
13 to 16 years old only - see 'Classes of Competition'



- Ribbons awarded for 1st to 6th placegetters
- Overall winner receives an embroidered rug
- Overall Prizemoney: 1st \$100.00, 2nd \$60.00, 3rd \$40.00
- Overall Garrard's Gift Voucher: 1st \$80.00, 2nd \$40.00, 3rd \$20.00
- Voucher for bag of Pryde's Easi Feed for 1st overall

CATTLE WORK – Boxing

5. DAYBORO PET AND RURAL MINI CHALLENGE

Entry Fee: \$20 (includes Buttercup Cow Levy)

- Ribbons + prizes awarded to all riders. **Lead line riders welcome!**



CATTLE WORK – Buttercup & Utility

6. OX HARDY FOUNDATION CHALLENGE

Entry Fee: \$90 (Includes Cattle Levy)

Run Under 5.10A ASCA Rider Restricted Stockman's Challenge:
see 'Classes of Competition'



- Ribbons awarded from first to sixth placegetters
- Overall winner receives an embroidered rug
- Prizemoney: 1st \$200.00, 2nd \$120.00, 3rd \$80.00
- Garrard's Gift Voucher: 1st \$80.00, 2nd \$40.00, 3rd \$20.00
- Voucher for bag of Pryde's Easi Feed for 1st

CATTLE WORK – Boxing - Drive down the fence - Boxing at opposite end of the Arena.

7. AUSSIE MORAYFIELD INTERMEDIATE CHALLENGE

Entry Fee: \$90 (Includes Cattle Levy)

Run Under 5.10 ASCA Rider Restricted Stockman's Challenge:

see 'Classes of Competition'



NOTE: Riders are no longer eligible for this class after winning 3 Intermediate (Novice) Challenges at a DWHDC Event or if a previous winner of a DWHDC Open Challenge in years 2025 or earlier.

- Ribbons awarded for first to sixth placegetters
- Overall winner receives an embroidered rug
- Prizemoney: 1st \$200.00, 2nd \$120.00, 3rd \$80.00
- Garrard's Gift Voucher: 1st \$80.00, 2nd \$40.00, 3rd \$20.00
- Voucher for bag of Pryde's Easi Feed for 1st

CATTLE WORK – Boxing - Drive down the fence - Boxing at opposite end of the Arena

8. JORDY ALL TRADES UNRESTRICTED CHALLENGE

Entry Fee: \$90 (Includes Cattle Levy)

Run Under Sec 5.6 Unrestricted Stockman's Challenge:

see 'Classes of Competition'



- Ribbons awarded for 1st to 6th placegetters in each
- Overall winner receives an embroidered rug
- Overall Prizemoney: 1st \$200.00, 2nd \$120.00, 3rd \$80.00
- Overall Garrard's Gift Voucher: 1st \$80.00, 2nd \$40.00, 3rd \$20.00
- Voucher for bag of Pryde's Easi Feed for 1st overall

CATTLE WORK – Boxing - Drive down the fence - Boxing at opposite end of the Arena

9. CTC UNDER 5 CHALLENGE

Entry Fee: \$90 (Includes Cattle Levy)

Open to horses 4 years & under – Proof of age required when nominating

Run under 5.7 Horse Restricted Stockman's Challenge:

see 'Classes of Competition'



- Ribbons awarded for 1st to 6th placegetters in each
- Overall winner receives an embroidered rug
- Overall Prizemoney: 1st \$200.00, 2nd \$120.00, 3rd \$80.00
- Overall Garrard's Gift Voucher: 1st \$80.00, 2nd \$40.00, 3rd \$20.00
- Voucher for bag of Pryde's Easi Feed for 1st overall

CATTLE WORK – Boxing

10. MARTIN OUTBACK WHIPS UNDER 7 CHALLENGE

Entry Fee: \$90 (Includes Cattle Levy)



Open to horses 5 & 6 years of age – Proof of age required when nominating

Run under 5.7 Horse Restricted Stockman's Challenge: see 'Classes of Competition'

- Ribbons awarded for 1st to 6th placegetters in each
- Overall winner receives an embroidered rug
- Overall Prizemoney: 1st \$200.00, 2nd \$120.00, 3rd \$80.00
- Overall Garrard's Gift Voucher: 1st \$80.00, 2nd \$40.00, 3rd \$20.00
- Voucher for bag of Pryde's Easi Feed for 1st overall

CATTLE WORK – Boxing - Drive down the fence - Boxing at opposite end of the Arena

11. DWHDC COME & TRY – noncompetitive

Entry Fee: \$60 (Includes Cattle Levy)



This class is designed for beginner riders of any age who have never competed before in any equestrian discipline. It's a relaxed, non-competitive environment where you can simply give it a go and enjoy the experience.

- Eligibility: Open to beginner riders only. Entry in the Come & Try class is limited to one year.
- Progression: You can't compete in any other class during the round. You can move up to Encouragement in the next round or next year.
- Purpose: Just fun and learning for those who want to try something new. Ribbons but no prizes.

CATTLE WORK – Boxing

12. SILVERWOOD CAFÉ 50 & OVER AMATEUR CHALLENGE

Entry Fee: \$90 (Includes Cattle Levy)



50 & Over Amateur riders must be at least 50 years of age. Restricted to amateur riders (riders who ride as a hobby not a job – Encouragement & Foundation riders ONLY).

NOTE: Previous winners of DWHDC Over 50s Amateur Challenges in years 2025 or earlier are no longer eligible.

- Ribbons awarded for 1st to 6th placegetters in each
- Overall winner receives an embroidered rug
- Overall Prizemoney: 1st \$200.00, 2nd \$120.00, 3rd \$80.00
- Overall Garrard's Gift Voucher: 1st \$80.00, 2nd \$40.00, 3rd \$20.00
- Voucher for bag of Pryde's Easi Feed for 1st overall

CATTLE WORK – Boxing

13. CRAIG DOYLE REAL ESTATE ENCOURAGEMENT CHALLENGE

Entry Fee: \$90 (Includes Cattle Levy)



CRAIG DOYLE
REAL ESTATE

Run Under Section 5.11 Encouragement see 'Classes of Competition'

- Ribbons awarded for 1st to 6th placegetters in each
- Overall winner receives an embroidered rug
- Overall Prizemoney: 1st \$200.00, 2nd \$120.00, 3rd \$80.00
- Overall Garrard's Gift Voucher: 1st \$80.00, 2nd \$40.00, 3rd \$20.00
- Voucher for bag of Pryde's Easi Feed for 1st overall

CATTLE WORK – Boxing

★ Plus - Saturday BOXING competition ★

Entry Fee: \$50 (Includes Cattle levy)

Cash first prize only and ribbons to third place in each class.



Jimmy Pickles Under 16 Yrs Boxing

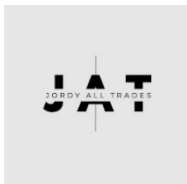
- 1st prize \$100



Ox Hardy Encouragement Boxing

Entry criteria are same as encouragement challenge class – see ASCA Section 5.11

- 1st prize \$100



Jordy All Trades Open Boxing

- 1st prize \$150

Run Under ASCA boxing rules

This option consists of holding a single beast on the short end of the arena for a period of thirty (30) seconds. The competitor shall ride into the arena, face the cattle entry gate and signal for their beast to be let into the arena. The beast shall be controlled on the entry end of the arena for an enough time to demonstrate the horse's ability to "hold" the beast. If the beast does not immediately challenge the horse, the rider shall move in on the beast to demonstrate the horse's ability to drive the beast across and block the beast on the entry fence.

Note: Encouragement entry criteria is the same as Stockmans Challenge criteria.

CONDITIONS OF ENTRY

NOMINATIONS

Nominations will be capped (due to cattle availability). No nominations can be taken on the day.

MEMBERSHIP & AFFILIATIONS

Membership is compulsory for all competitors in ASCA affiliated events. Competitors must be full financial members of ASCA before being eligible for points in any standings/premierships. ASCA Membership year runs: 1st October – 30th September.

See ASCA Rules: <https://australianstockmanschallenge.com.au/about/rules-regulations/>

Membership for ASCA <https://australianStockman'schallenge.com.au/asca-membership/> Membership for DWHDC <https://www.nominate.com.au/clubs/MemberRegistration.aspx?CID=514>

SCRATCHINGS/REFUNDS

Competitors can scratch/edit their own entries via their Nominate profile. This can be done up to the advertised nomination closing date for the event. You can also process your own refund until this time.

NOTE: A doctor's or vet certificate MUST BE supplied to receive a refund after the closing date AND must be emailed to nominations@dwhdc.com.au before the event starts.

**** NO REFUNDS can be issued for scratchings after 7am Friday of the event****

Should this event be postponed due to bad weather or any other reason acceptable to the committee, the committee will advise if entry roll-over or refund process will be applied.

VOLUNTEER ROSTER

At the time of nominating, riders will need to select a job that they will do over the weekend. The job will be limited to a 1-2 hour shift. A job allocation list will be emailed out before the event and put up around the grounds during the competition. Please ensure you choose a job that you will be available to do.

If you are selected for a job & you can no longer do it, it is YOUR responsibility to find a replacement.

FIRST AID & GROUNDS LEVIES

A First Aid Levy of \$8 per ride + a per event \$5 Grounds Fee will be charged when nominating.

ATTIRE

As per the ASCA Rules & Regulations.

HATS: Australian style hat to be worn whilst competing.

HELMETS: Optional, although it is recommended, they be worn during the cattle work phase.

All riders under the age of 18 years are required to wear a riding helmet when mounted on a horse anywhere on the grounds at an ASCA affiliated event.

SHIRT: Long sleeve button up shirt with a collar, with the sleeves buttoned down. **TROUSERS:** Jeans or moleskins, no jodhpurs

TIE: Must be worn. Women may wear a tidy scarf to replace a tie.

BOOTS: Riding boots must be worn. Riding boots that enable the foot to come free of the stirrup iron and prevents the foot from sliding through the stirrup iron. Covered shoes should be worn whenever handling horses.

STALLIONS

Are not to be ridden or handled by anyone under the age of 18 years at any time during a competition, either on the grounds or in the competition arena.

GEAR

NOT ALLOWED: Tie downs or martingales of any description, nosebands or any other artificial device. **SADDLES:** ASCA have allowed the use of horned saddles in this small arena style event only.

BITS: In all phases a snaffle bit must be used. This must be free rolling, loose ring snaffle with a single joint (two- piece bit) with a smooth mouthpiece (a sweet iron may be used). Bits must be no thinner than 3/8" (9.5mm) measured against the cheek. It may have a gradual taper to the center but must be no thinner than 5/16" (8mm) measured 1" (25mm) from cheek. The ring may attach with a bar or through a hollow tube as long as the ring is always free rolling to prevent leverage. The ring must measure no more than 4" (100mm) in diameter. No twisted wire or sharp edges allowed. Loose ring bar bits are permitted.

NOTE: A bit check may be completed on request of the gate marshal or any committee member.

ASCA APPROVED BITS



7.2 BIT EXAMPLES - CORRECT EXAMPLE



7.2 BIT EXAMPLES - INCORRECT EXAMPLE

This is not meant to be a complete or defining list of incorrect bits.



Rules & Regulations 2025 V1

ASCA BIT TAGS

Will be issued to those wanting one. Bit checks can be carried out at the Office / Canteen. Bring your bridle & bit to receive a tag. Once done, this tag can then be left on indefinitely.

ASCA bit tag image



DISCLAIMER: It is the responsibility of the competitor to ensure they have the correct gear & adhere to the rules & regulations.

Check ASCA Rules at <https://australianstockmanschallenge.com.au/about/rules-regulations/>

DISPUTES COMMITTEE

Any disputes must be lodged within 2 hours of the completion of the class or incident.

A disputes officer will gather as much information as possible from the rule book, the complainant, and witnesses, or any other sources to make a decision.

GENERAL RULES

- A two-phase competition comprising of Dry Work and Cattle Work.
- The event is open to all breeds of horses bred anywhere in the world.
- The event is open to all sexes.
- Horses and riders may compete in more than one division provided they are eligible.
- 1 horse, 1 rider per class except for the Mini Class.
- It is the competitor's responsibility to have their information correct and to enter the correct/eligible class.
- It is the responsibility of the competitor to ensure their equipment is correct, in good repair, and is correctly fitted.
- At an event, the horse and rider status will be as per the beginning of the event.
- All nominations MUST be paid at the time of nomination.
- Competitors must adhere to the draw.

ARENA CATTLE RULES

- One beast to be supplied for each competitor, with the judge able to reject a beast, or reward a re-run where the beast is deemed to be unsuitable. This is achieved via one sounding of the whistle/horn/whip.
- At any time during the work, if there is an instance where the judge feels that it is in the best interest of animal welfare and competitor safety, the judge can terminate a run by sounding the whistle or bell twice.
- A re-run will be awarded at the judge's discretion, where the run was terminated due to no fault of the competitor.
- A competitor may choose to continue to work their beast after the whistle is blown, after which no additional re-run can be awarded.
- The small arena wet work is scored out of a possible 100 points.
- Credit will be awarded for always maintaining control of the beast, with position, pace and control plus overall eye appeal contributing to the points awarded for each section. Points will be deducted for loss of control of the beast, and excessive use of the arena fence.
- In the event of a beast bleeding, a rerun may be awarded where the judge believes the blood was not caused by the competitor.

Boxing

Recommended for beginner riders and horses but can be used for all levels. This option consists of holding a single beast on the short end of the arena **for a period of thirty (30) seconds.**

The competitor shall ride into the arena, face the cattle entry gate and signal for their beast to be let into the arena. The beast shall be controlled on the entry end of the arena for an enough time to demonstrate the horse's ability to "hold" the beast. If the beast does not immediately challenge the horse, the rider shall move in on the beast to demonstrate the horse's ability to drive the beast across and block the beast on the entry fence.

Boxing, Drive Down Fence to Opposite End of Arena

There are three (3) parts to this option:

- Boxing
- Setting up the beast and driving it down the fence to the opposite end of the arena
- Boxing at the opposite end of the arena.

Boxing: The rider shall ride into the arena, face the cattle entry gate and signal for their beast to be let into the arena. The beast shall be controlled on the entry end of the arena for enough time to demonstrate the horse's ability to hold the beast. If the beast does not immediately challenge the horse, the rider shall move in on the beast to demonstrate the horse's ability to drive and block the beast on the fence.

Drive down the fence: After the beast has been controlled on the entry end of the arena, the rider shall set the beast up for driving down the side of the arena. When coming out of the corner, the horse shall be close enough to the beast to demonstrate control with the beast against the fence. This distance and control should be maintained for approximately $\frac{1}{2}$ to $\frac{3}{4}$ of the length of the arena. The rider will then stop and release the beast and move the horse to cut it out again.

Boxing at opposite end of the arena: The competitor will again control or "hold" the beast for the remainder of time at the end of the arena to demonstrate the horse's ability to control the beast.

Ride to 50 seconds or a time designated by the committee

CLASSES OF COMPETITION

5.6 Unrestricted Stockman's Challenge

This applies to CLASS 8. Unrestricted Challenge

- Open to all horses and riders.
- This class will not impact the rider or horse classification except for the Encouragement class.

5.7 Horse Restricted Stockman's Challenge

This applies to:

CLASS 9. Under 5 Challenge (horses 4 yrs & under) &

CLASS 10. Under 7 Challenge (horses aged 5 & 6 yrs)

- Open to horses that are of an age nominated by the Committee. No restrictions for riders.
- This class will not impact rider or horse classification except for Encouragement (Foundation) Class.

5.10 Rider Restricted Stockman's Challenge

This applies to CLASS 7. Intermediate Challenge

- Restricted to riders who have never won a Derby, Classic, Novice or Open Challenge at an ASCA- affiliated event.
- This class will not impact the rider or horse classification except for the Encouragement (Foundation) class.
- Riders are no longer eligible for this class after winning 3 Advanced/Novice Challenges at a DWHDC Event or if a previous winner of a DWHDC Open Challenge in years 2025 or earlier.

5.10A Rider Restricted Stockman's Challenge

This applies to CLASS 6. Foundation Challenge

- Restricted to riders who have never won a Derby, Classic, Rookie, Novice, or Open Challenge at an ASCA affiliated event. This class will not impact the rider or horse classification except for the Encouragement class.
- A Rookie competitor who has won a DWHDC Classic Challenge or Open Challenge is no longer eligible to compete in this class.
- Restricted to competitors who have never received remuneration for training, working, or showing performance horses.
- Previous winners of DWHDC Rookie Challenges and Buckle Series in years 2025 or earlier are no longer eligible.
- Winners of a round in this class in 2026 remain eligible for Rookie Challenge events for the remainder of the calendar year.
- Rookie competitors that win a DWHDC Classic, Derby or Open Challenge in 2026 will become ineligible for any subsequent Rookie Challenges in the calendar year.

5.11 ENCOURAGEMENT CHALLENGE

This applies to CLASS 13. Encouragement Challenge

1. The Encouragement Challenge is considered an adult class. It is restricted to:
 - a **Riders** who have never won any individual Challenge, Campdraft, Cutting, or Cow Horse event involving cattle work, regardless of affiliation.
 - b **Horses** that have never won any individual Challenge, Campdraft, Cutting, or Cow Horse event involving cattle work, regardless of affiliation.
 - c **Juveniles** in any discipline are eligible to enter this class, regardless of any wins in Juvenile, Junior, or similar youth events in ASCA or other associations.
 - d **Riders or horses** that have won a Team Penning, Ranch Riding, or Rodeo-style event are still eligible to compete in this class.
 - e **Riders or horses** that have won an award within an event or groups of events are still eligible to compete in this class. Examples of these awards would be Hi Point, Highest score ASH, AQHA or breed society, accumulative points series awards that are awards within a single or group of events.
2. Juveniles will not be eligible to ride in this class:
 - a If they have won an adult rider or horse aged event that involves cattle work regardless of affiliation or discipline of that event. An example would be that a juvenile that has won an adult challenge, campdraft, cutting, or cow horse would not be able to enter, either as a juvenile or as they progress to the adult classes.
 - b A Juvenile rider may only compete on a horse that meets the definition in (1. b) above.
3. One encouragement win, and the horse and rider are no longer eligible.

Winners of any round of the DWHDC Encouragement Challenge in 2026 remain eligible for Encouragement Challenge events for the remainder of the 2026 series.

First, second and third place getters OVERALL in 2025 and previous years are not eligible for this class.

5.13 Youth Restricted Stockman's Challenge

This applies to

CLASS 4. Junior Challenge &

- A Junior rider is 12 years & under.

CLASS 5. Youth Challenge

- A Youth rider 13-16 years of age. Competitors that turn 17 years of age are no longer eligible. Committees may only use this class for riders under 17 years of age. No restriction for horses.

50 & Over Amateur Stockman's Challenge

This applies to CLASS 11. 50 & Over Amateur Challenge

The DWHDC 50 & Over Amateur: riders must be of at least 50 years of age. Restricted to amateur riders (riders who ride as a hobby not a job – Encouragement & Foundation riders ONLY).

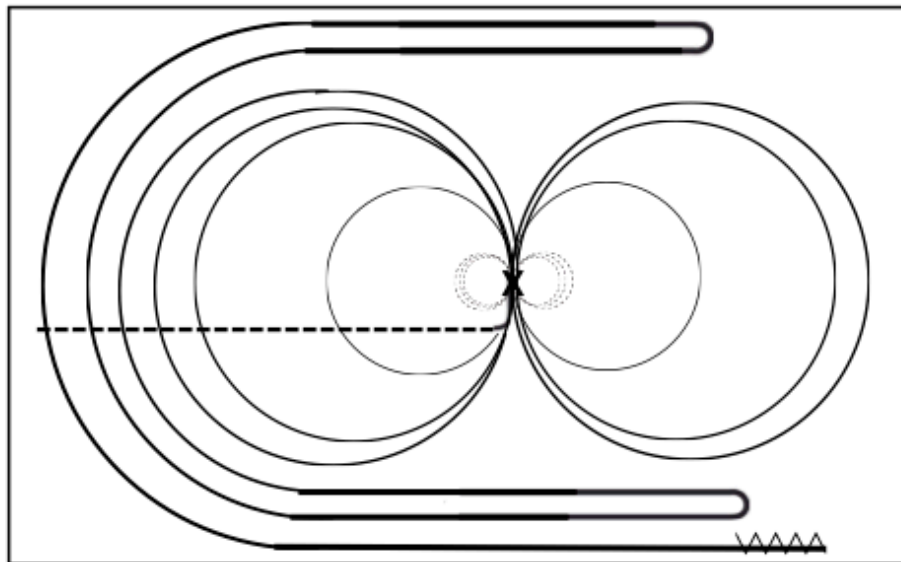
NOTE: Previous winners of a DWHDC 50 & Over Amateur Challenge in years 2025 or earlier are no longer eligible.

Check ASCA Rules here:

<https://australianstockmanschallenge.com.au/about/rules-regulations/>

Unrestricted / Intermediate / Foundation / Under 7

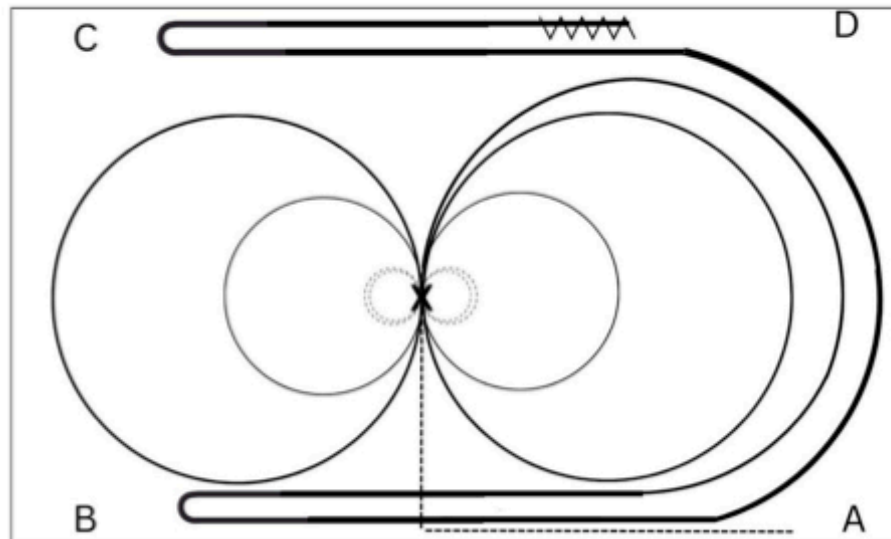
ASCA PATTERN # 4



- 1 Walk into centre of arena on a loose rein cracking whip. Halt at centre facing the judge.
- 2 Beginning on the left lead, canter two circles to the left. The first circle large and fast, the second small and slow. Stop at the centre of the arena.
- 3 Complete three spins to the left
- 4 Beginning on the right lead, canter two circles to the right. The first circle large and fast, the second small and slow. Stop at the centre of the arena.
- 5 Complete three spins to the right.
- 6 Beginning on the left lead canter a large fast circle to the left, change leads at the centre of the arena
- 7 Canter a large fast circle to the right, change leads at the centre of the arena, continue around previous circle to the left but do not close this circle.
- 8 Run down past centre marker, stop and roll back to the right.
- 9 Canter around previous circle to the right, canter down past centre marker, stop and roll back to the left.
- 10 Continue around previous circle to the left, but do not close. Canter down past centre marker, stop, settle and back up to centre marker. Acknowledge judge, walk out on loose rein.

Open & Under 18 Utility / Youth / Under 5 / Over 50 / Encouragement

ASCA PATTERN # 2



- 1 At A acknowledge judge and demonstrate horses acceptance of the whip. Trot to X. Halt.

- 2 2 spins to the right

- 3 2 Spins to the left

- 4 Canter a small slow circle to the right, Gallop a large fast circle to the right.

- 5 At X perform a lead change to the left.

- 6 Gallop a large fast circle to the left and a small slow circle to the left.

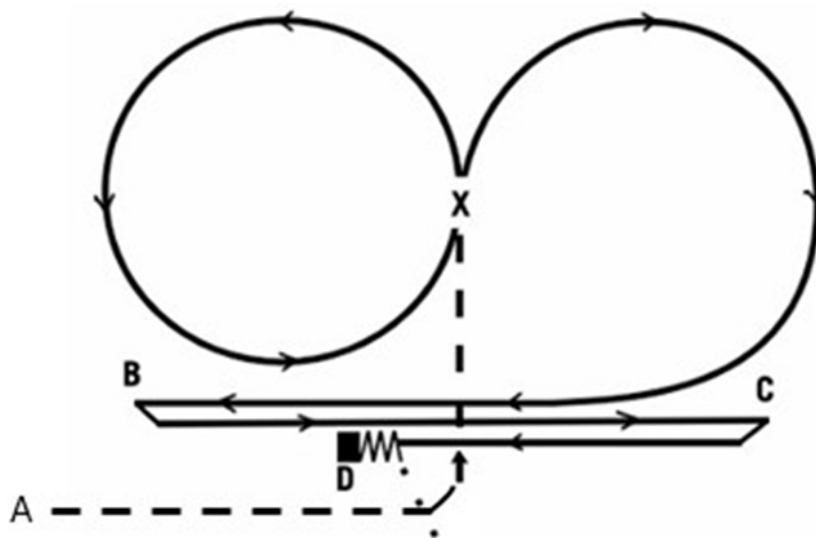
- 7 At X perform a slow lead change to the right.

- 8 Continue around arena at a working canter and at A run down and stop between the centre marker and B. Roll back to the left.

- 9 Continue around arena at a working canter and at D run down and stop between centre marker and C. Roll back to the right.

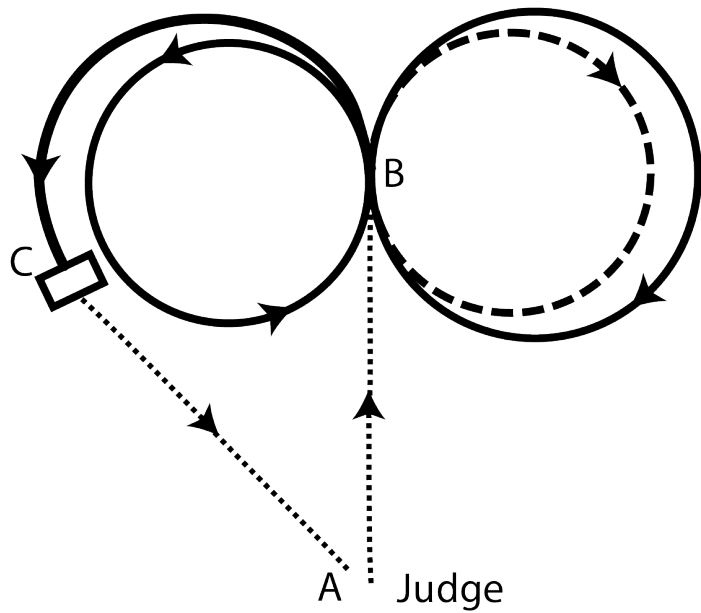
- 10 Run past the centre marker, stop and back up at least 6 paces. Acknowledge judge to show completion of pattern and walk out on a loose rein.

Junior / Come and Try



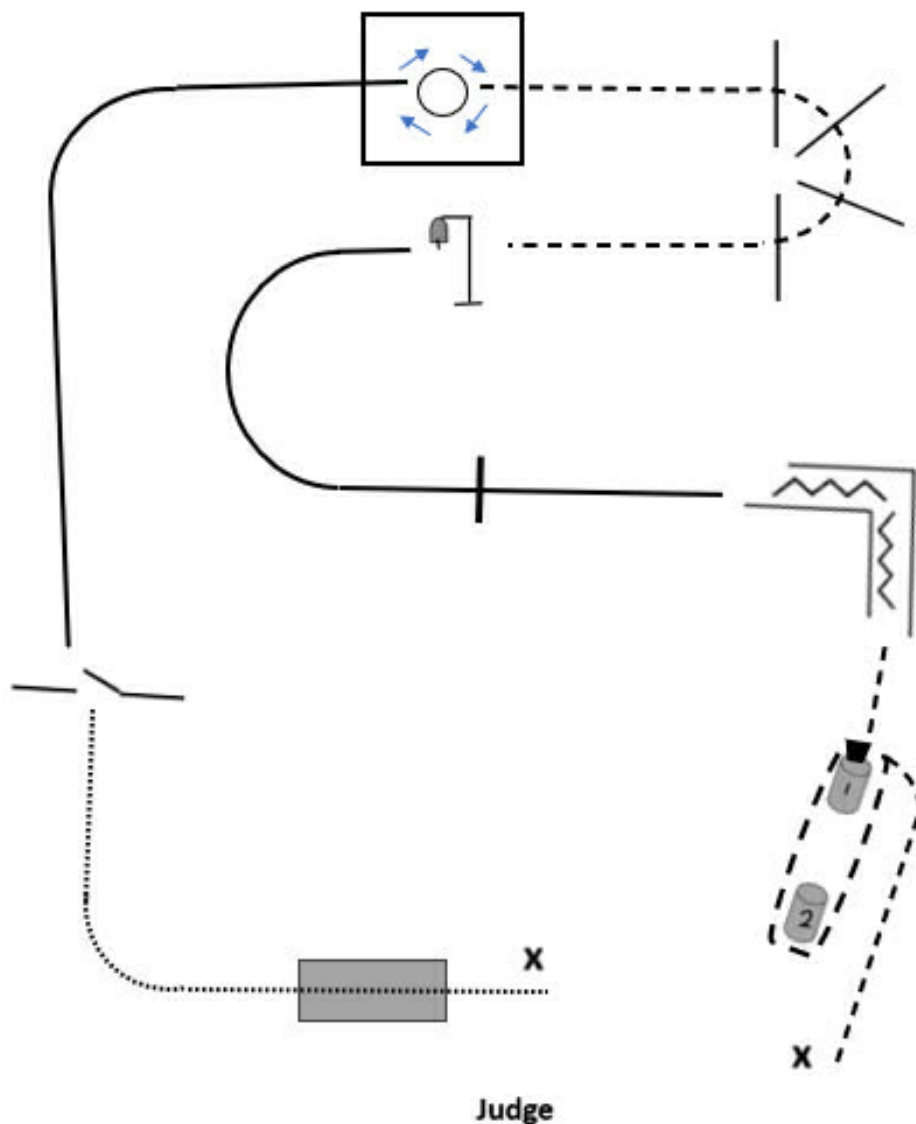
		Possible Points	Judge's Marks
1	Type, Presentation and Overall Impression	10	
2	Trot to X with light rein	10	
3	Canter circle left	10	
4	Simple change at X	10	
5	Canter three quarter circle and continue to B	10	
6	Roll back to left	10	
7	Canter to C roll back to right	10	
8	Canter to D and stop	10	
9	Settle and rein back 3 metres	10	
10	Walk to A on loose rein	10	
Total		100	

Mini



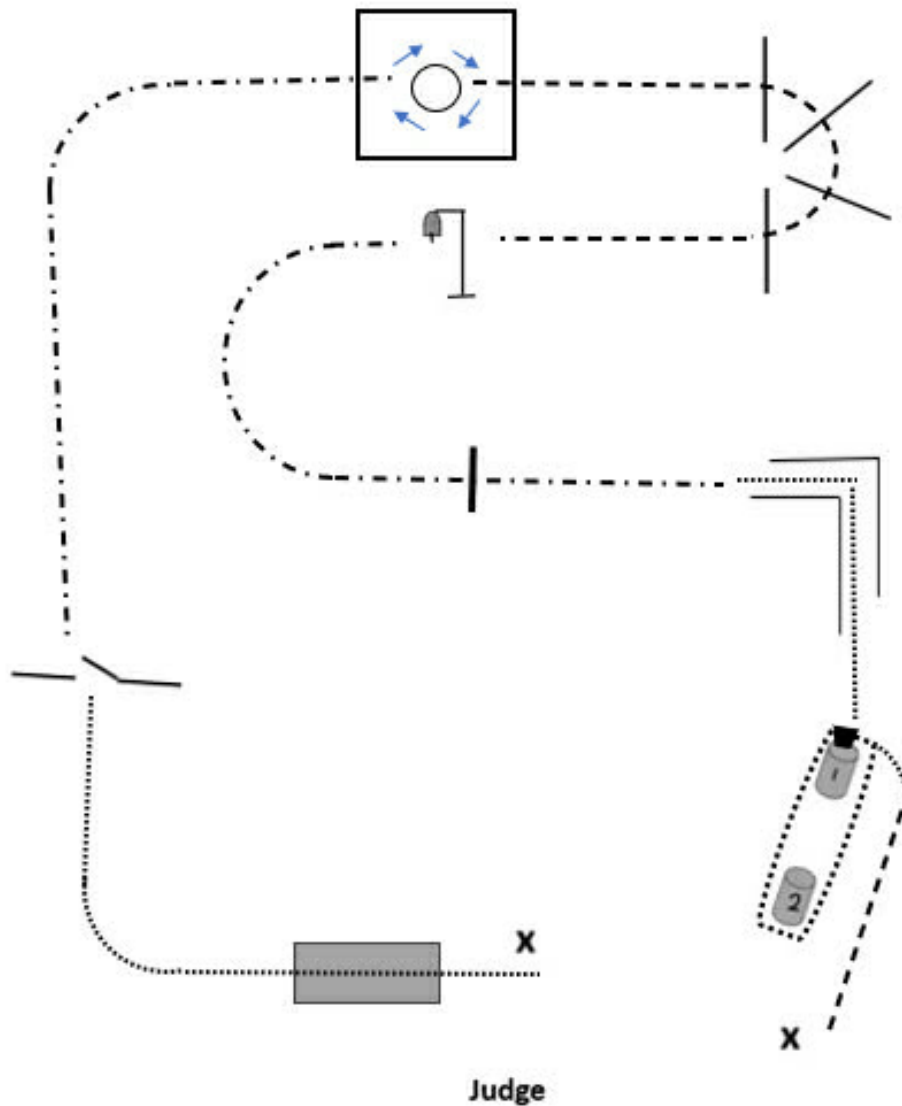
	POSSIBLE POINTS	ALLOCATED POINTS
1 Type, Presentation and Overall Impression	10	_____
2 Walk from A to B	10	_____
3 Trot circle right back to B	10	_____
4 Canter circle left	10	_____
5 At B simple change	10	_____
6 Canter circle right	10	_____
7 At B simple change	10	_____
8 Extended Canter to C	10	_____
9 At C Halt and settle	10	_____
10 Walk back to A	10	_____
TOTAL	100	_____

Utility Pattern



		Possible Points	Judge's Marks
1.	Walk to bridge, walk over bridge and proceed to gate	10	
2.	Pass through gate, <u>keeping your right hand on gate at all times</u>	10	
3.	Canter right lead into box and stop	10	
4.	Spin x1 to the right, trot out of box	10	
5.	Trot over poles, continue trotting to bell	10	
6.	Stop at the bell, use left hand to ring the bell	10	
7.	Canter left lead over the <u>cavaletti</u> to L	10	
8.	Back through L	10	
9.	Trot to drum 1, pickup bucket, trot around drum 2, replace bucket on drum 1 and trot to Judge on a loose rein	10	
10.	Type Presentation and Overall Impression	10	
	Total	100	

Utility Pattern Mini



		Possible Points	Judge's Marks
1.	Walk to bridge, walk over bridge and proceed to gate		
2.	Walk through gate,		
3.	Walk/Trot into box		
4.	Spin x1 to the right, walk/ trot out of box		
5.	Trot over poles, continue trotting to bell		
6.	Stop at the bell, if able ring the bell		
7.	Walk/Trot over the <u>cavaletti</u> to L		
8.	Walk through L		
9.	Walk to drum 1, pickup bucket, walk around drum 2, replace bucket on drum 1 and trot to Judge		
10.	Type Presentation and Overall Impression		
Total			