

# Sentinel Connector Systems Inc.

1953 Stanton Street

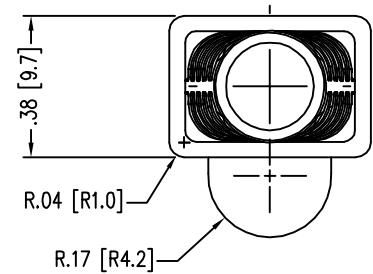
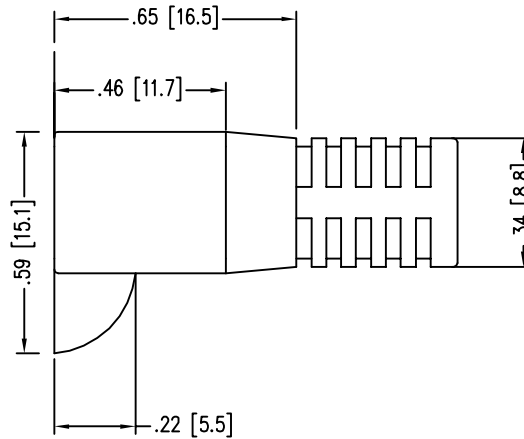
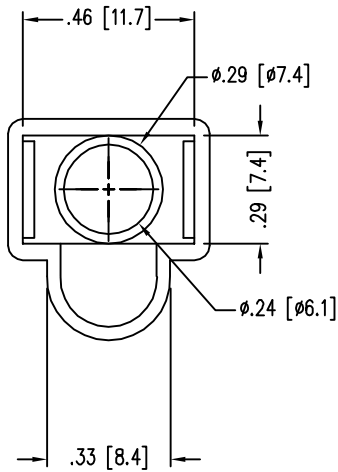
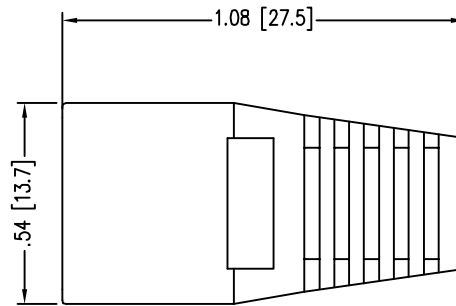
York, Pa. 17404

\*6mm STRAIN RELIEF BOOT FOR EIGHT CONDUCTOR MODULAR PLUG

\* ACCOMMODATES CABLES WITH OD TO 6mm

\* AVAILABLE IN A V-O MATERIAL.

STANDARD PULL OVER PLUG STRAIN RELIEF BOOT



PT No.:

B001-LIGHT GRAY	
B002-DARK GRAY	
B003-BLUE	
B004-YELLOW	
B005-GREEN	
B006-BLACK	
B007-PURPLE	
B008-WHITE	
B009-RED	
B0010-ORANGE	
B0011-PINK	
(*) B0012-BLACK	
(*) MOLDED FROM V-O LXN55FR MATERIAL	

PRODUCT LINE

PART NO. = BOOXX

COLOR

MATERIAL: PVC

SDB00XX-A

08/26/13 REV A3  
04/22/09 REV A2  
02/21/07 REV A1