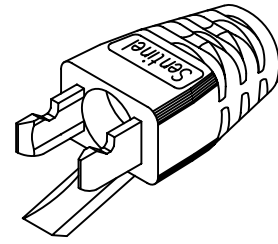


Sentinel Connector Systems Inc.

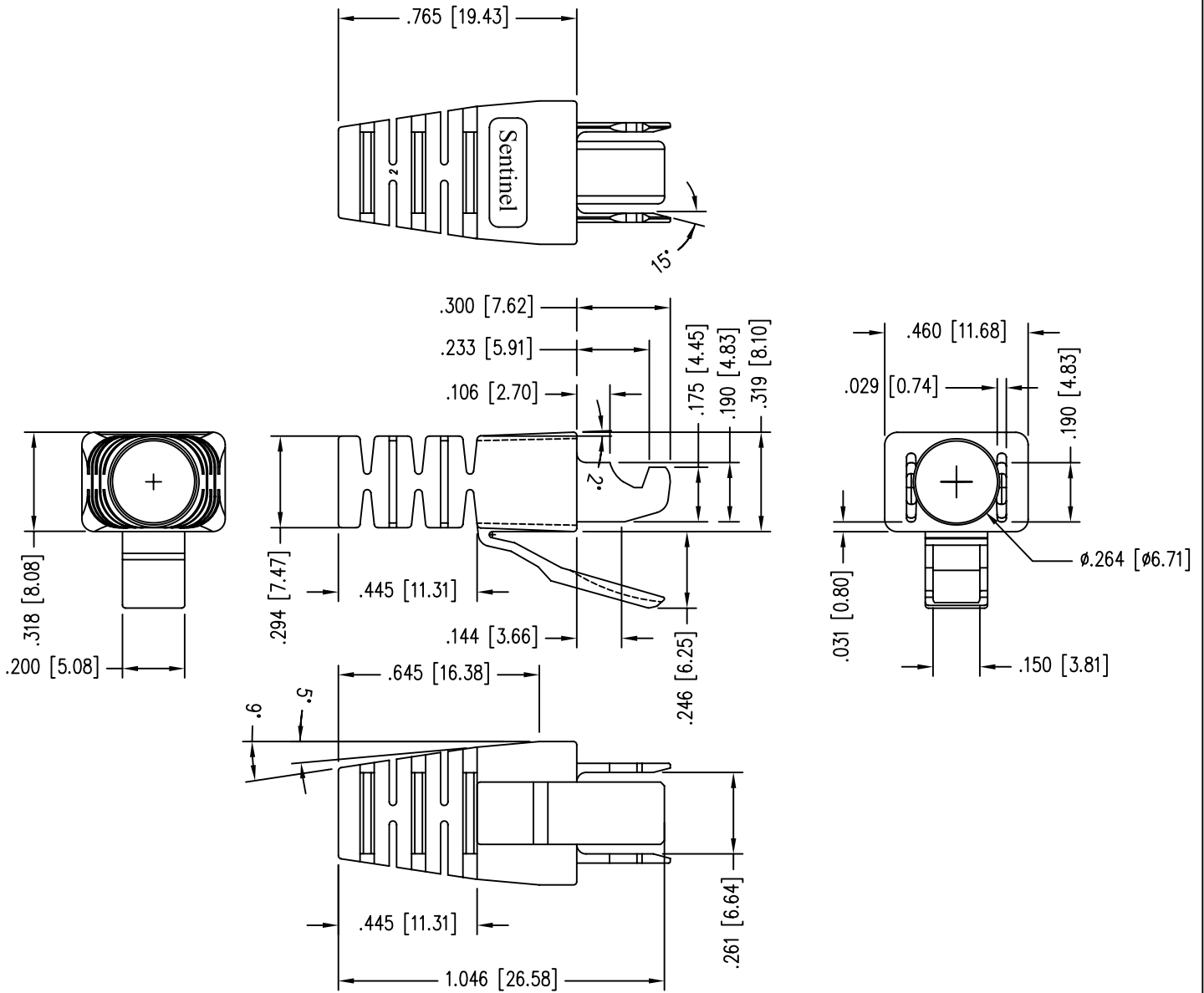
1953 Stanton Street

York, Pa. 17404

PART NO.: B00045L



- * FOR USE WITH SPECIFIC 106 STYLE RJ-45 PLUGS
- * OPENING TO ACCEPT CABLES TO 6.7mm
- * THIS PART IS CLEAR IN COLOR
- * THIS PART HAS SENTINEL LOGO
- * MATERIAL - POLYCARBONATE, V-0



SPECIFICATIONS:

MATERIAL: _____ POLYCARBONATE - V0
OPERATING TEMPERATURE: _____ -40° TO +70° C
U.L. RECOGNIZED File# E188111
FLAME AUTO EXTINGUISH 94-V0

SD0B00045L

10/01/2007 REV A1
5-19-2006 REV A0