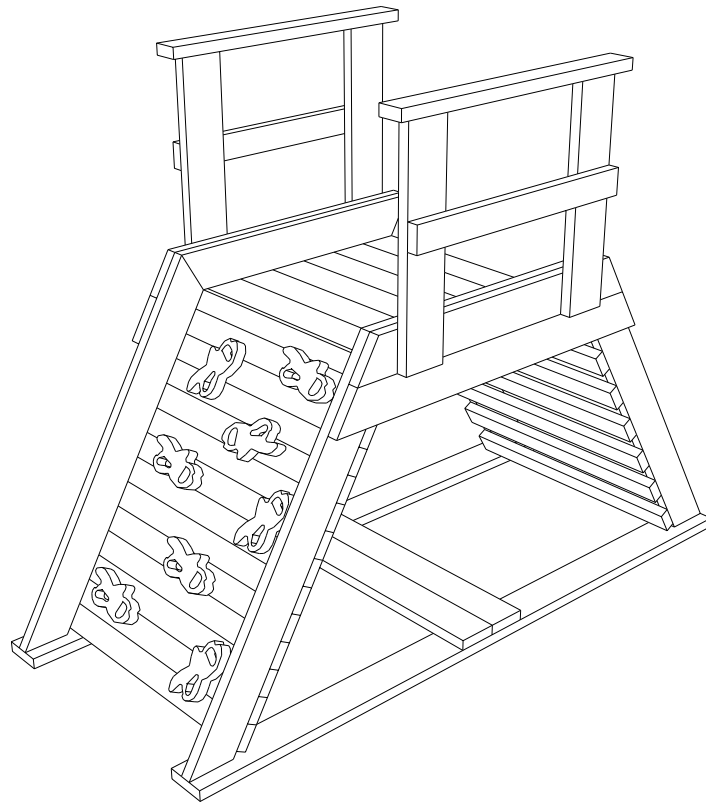


BUILDING A CHILDREN'S PLAYSET

Look mom, no chemicals! That's right - Western Red Cedar is naturally resistant to rot, decay and insects, which means you don't need to stain this fun little playset. Another reason Western Red Cedar is such a good choice for outdoor structures like this one is it has naturally occurring thermal properties. Our wood is always cool to the touch, so unlike jungle gyms made from synthetic materials, this playset won't scorch any of those little hands and feet climbing all over it.

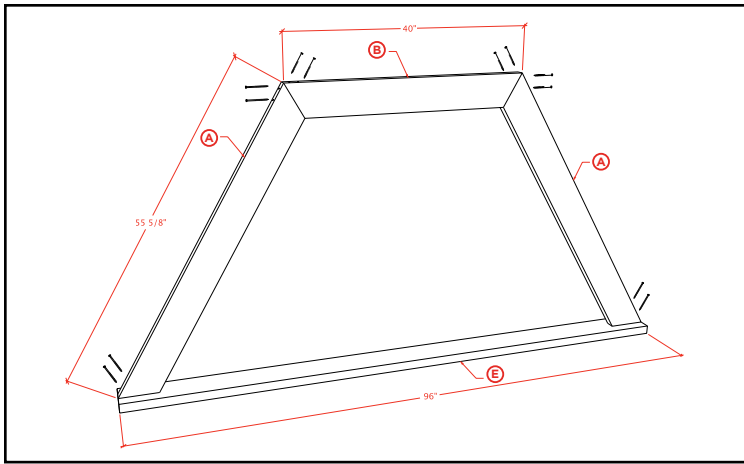
BONUS: It's super easy to build.

DESIGNED BY MYFIXITUPLIFE'S MARK AND THERESA CLEMENT FOR REAL CEDAR



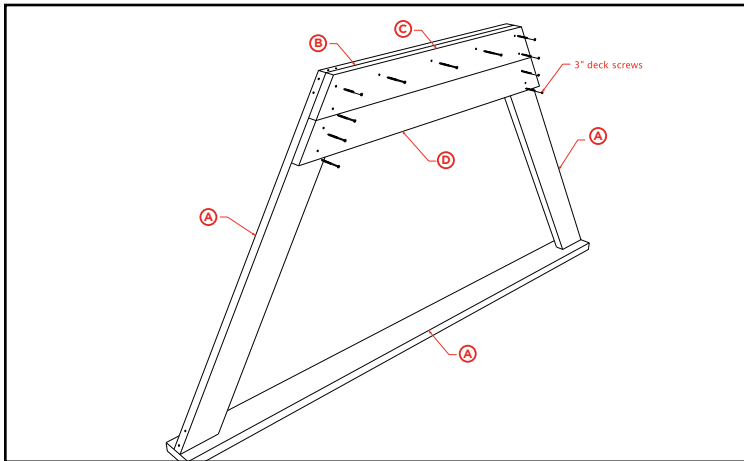
WHAT YOU'LL NEED

PART #	DESCRIPTION	FINISHED SIZE			NOMINAL SIZES	MATERIAL	QTY
		T	W	L			
A		1 1/2"	5 1/2"	55 5/8"	2X6X6	WR CEDAR	4
B		1 1/2"	5 1/2"	40"	2X6X4	WR CEDAR	2
C		1 1/2"	5 1/2"	46 3/8"	2X6X4	WR CEDAR	2
D		1 1/2"	5 1/2"	52 7/8"	2X6X6	WR CEDAR	2
E		1 1/2"	5 1/2"	96"	2X6X8	WR CEDAR	2
F		1 1/2"	5 1/2"	41 1/2"	2X6X4	WR CEDAR	2
G		1 1/2"	3 1/2"	37 1/2"	2X4X4	WR CEDAR	21
H		1 1/2"	5 1/2"	30"	2X6X4	WR CEDAR	4
I		1 1/2"	3 1/2"	38"	2X4X4	WR CEDAR	2
J		1 1/2"	3 1/2"	34"	2X4X4	WR CEDAR	2
K		1 1/2"	5 1/2"	37 1/2"	2X6X4	WR CEDAR	6
L	CLIMBING HOLDS					PLASTIC	6 TO 10
M	CROSS BRACING	1 1/2"	3 1/2"	42 1/4"	2X4X4	WR CEDAR	1
N	CROSS BRACING	1 1/2"	3 1/2"	51 1/2"	2X4X5	WR CEDAR	1



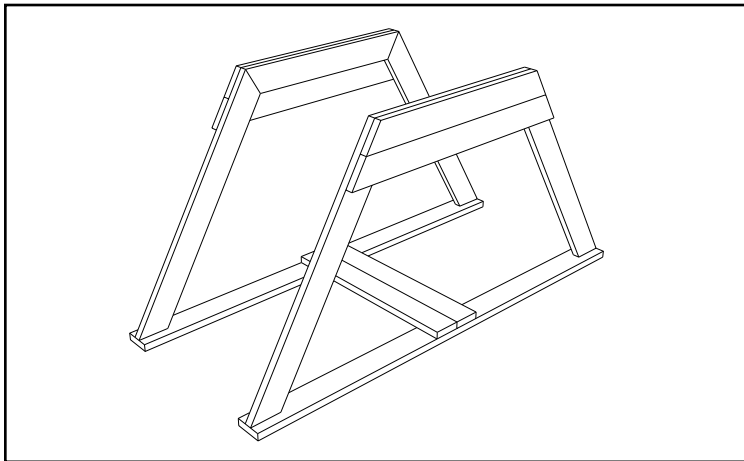
STEP 1 - Build Two Frames

For each frame, screw two (A) 2x6s to one (B) 2x6 on a 35° angle. Then center that structure on an (E) 2x6 leg for stabilization. Real Cedar recommends working on a flat surface for this portion of the project.



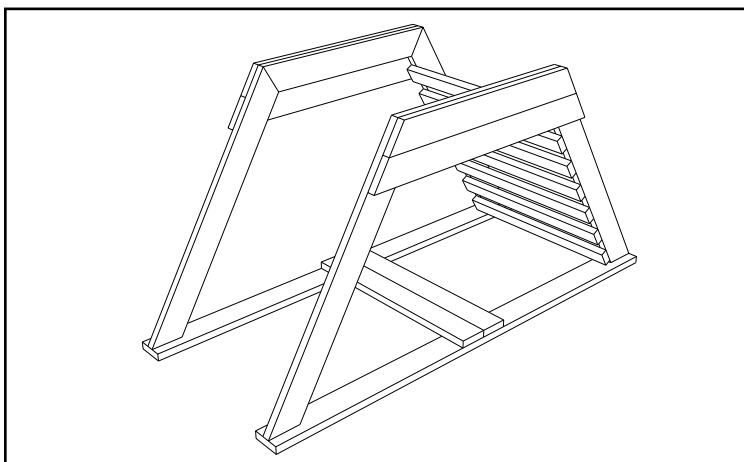
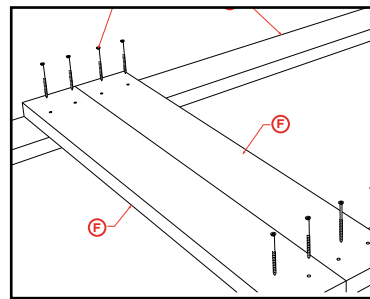
STEP 2 - Add Bracing

Install one (C) 2x6 and one (D) 2x6 on each frame.



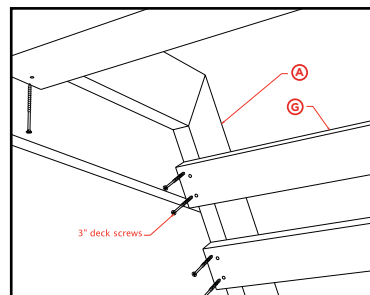
STEP 3 - Attach Frames

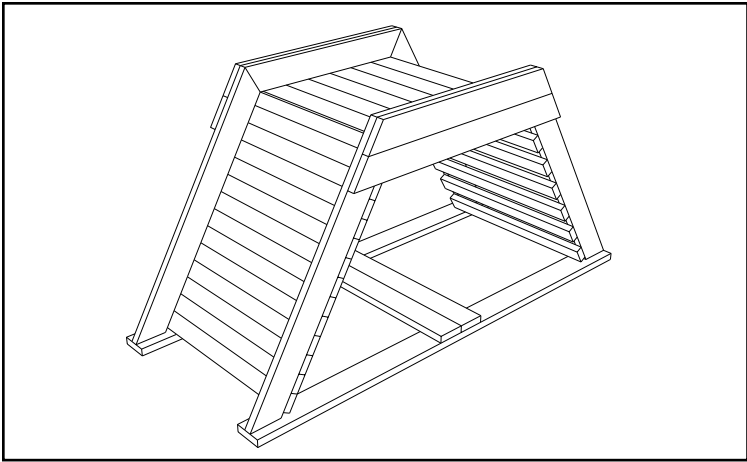
Install two pieces of (F) 2x6 decking timbers underneath to hold frames together.



STEP 4 - Install Ladder

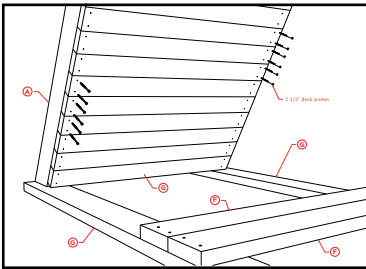
Using a 2x4 spacer, screw in seven (G) 2x4 steps.



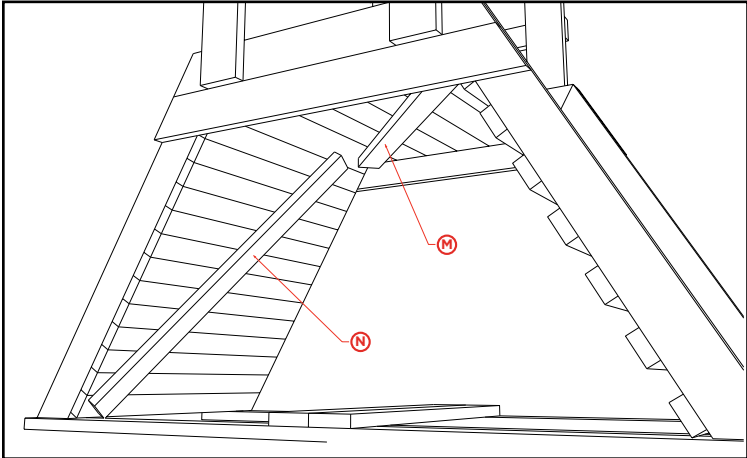


STEP 5 - Add Climbing Wall

Install twenty (G) 2x4 decking planks.

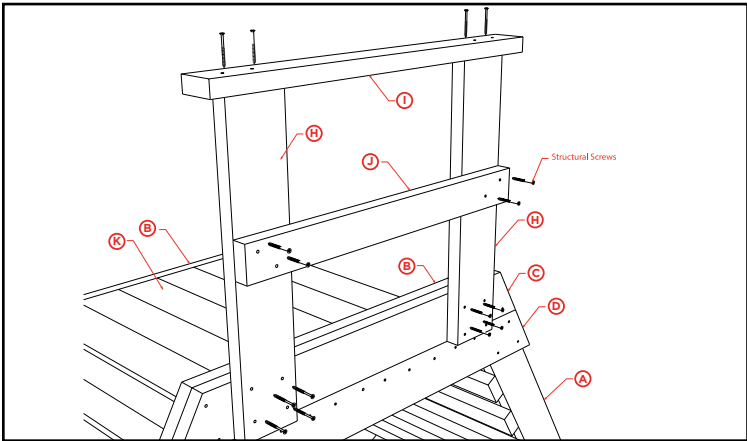


CEDAR PRO TIP:
Use a nail or screw to create gaps in between each decking plank. This will allow for proper ventilation and debris to fall freely through the cracks (as oppose to building up on the surface).



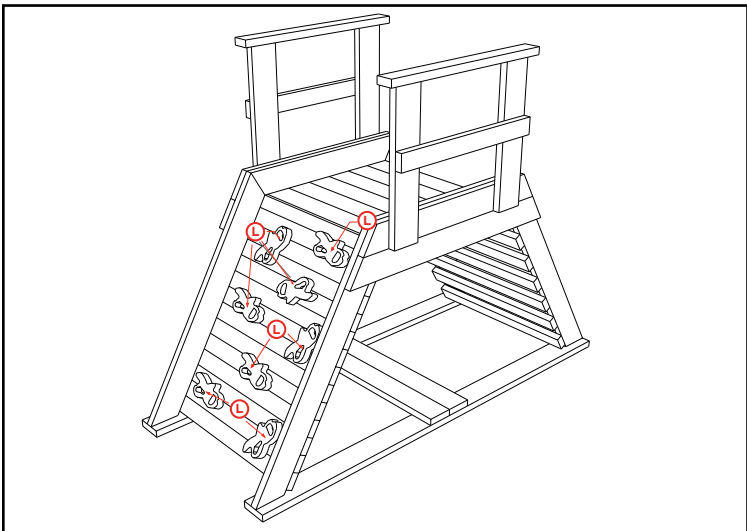
STEP 6 - Make it Safe

Install a diagonal (N) 2x4 brace under the climbing wall as well as a 2x4 (M) crosspiece under the top platform for stability.



STEP 7 - Build Railings

For each side, attach two (H) 2x6s together using one (J) 2x4 cross piece. Then attach that framework to play set and top with a (I) 2x4 handrail.



STEP 8 - Complete with Holds

Use structural screws to attach rubber pieces to climbing wall.

**For more plans, information and instructional videos visit
<http://www.realcedar.com/outdoor/plans/>**



NOTE: Make sure you pick a site for you children's play set that is level and structurally sound.

BEST PRACTICE: If you plan on installing an outdoor structure close to your property line, Real Cedar recommends getting written consent from your neighbours.

Instructions are subject to local building codes, so it's always best to call your local building department before you begin construction. Also, Real Cedar is not responsible for any personal injury or property damage sustained in connection to these guidelines.