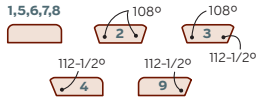
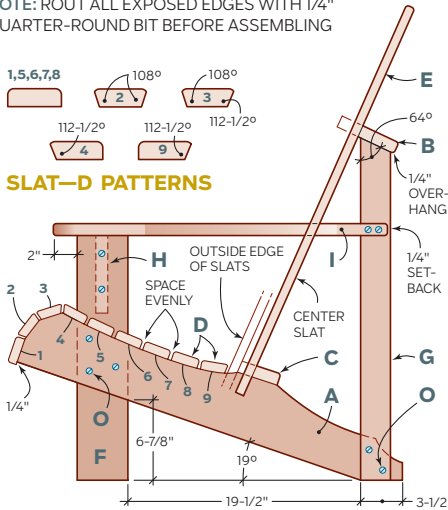


## Chair Plans 34-1/4" DEEP X 31-3/4" WIDE X 40" HIGH

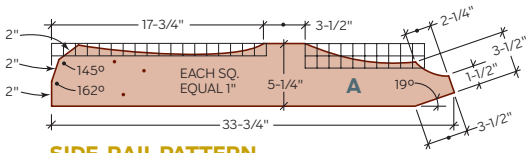
NOTE: ROUT ALL EXPOSED EDGES WITH 1/4" QUARTER-ROUND BIT BEFORE ASSEMBLING



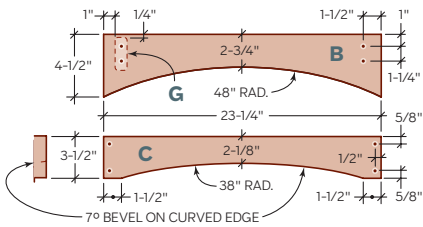
SLAT-D PATTERNS



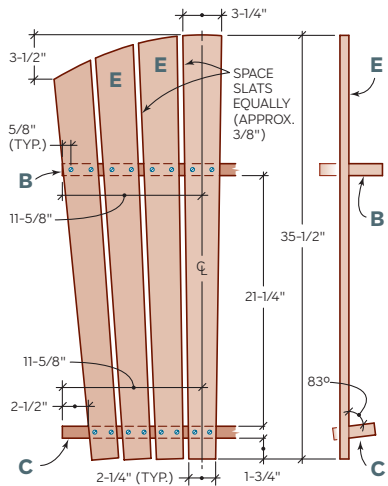
SECTION AT CENTER



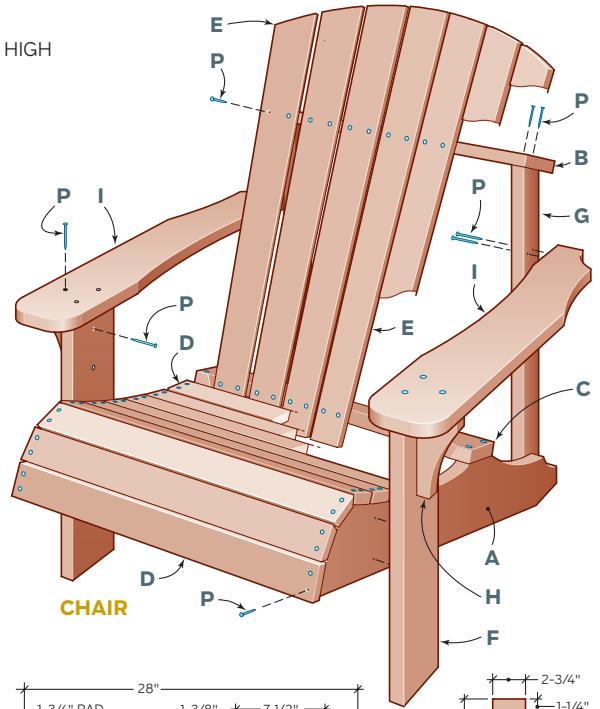
SIDE-RAIL PATTERN



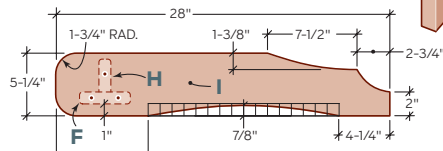
BACK-RAIL PATTERNS



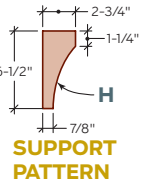
BACK-SLAT PATTERN



CHAIR

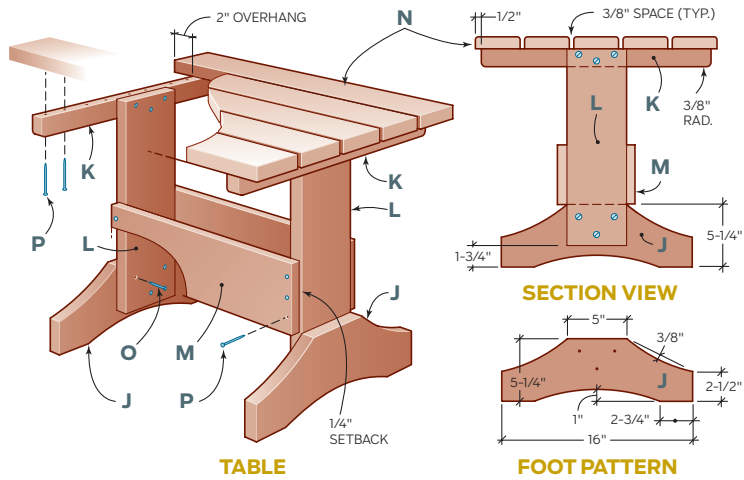


ARM PATTERN

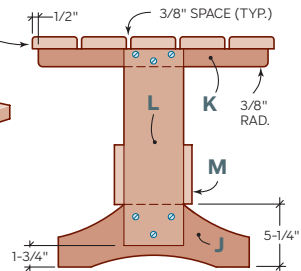


SUPPORT PATTERN

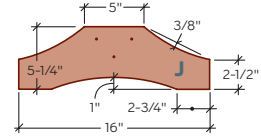
## Table Plans 21-1/4" DEEP X 24" WIDE X 19-1/2" HIGH



TABLE



SECTION VIEW



FOOT PATTERN



Find plans for more outdoor furniture at [popularmechanics.com/outdoorfurniture](http://popularmechanics.com/outdoorfurniture).