

# REAL CEDAR TIKI BAR

**DESIGN:** REAL CEDAR ORIGINAL

Prepare to be the envy of all your neighbors! As a Tiki bar, this stunning structure has huge wow factor. But this versatile design offers so much more than just a place to hang your kitschy curios. You can also customize this sleek serving shack for special occasions such as: backyard weddings, birthday parties, anniversaries etc. In between milestone celebrations, it can be used as an outdoor kitchen or even the ultimate lemonade stand. Come winter, use the removable panels to transform this backyard beauty into a storage shed for all your outdoor décor.

It also provides immense satisfaction for DIYers who like making a statement with their woodworking projects. That's because nothing looks, feels or smells quite like Western Red Cedar. A contractor favorite, cedar is a durable, yet surprisingly

lightweight building material that lays flat and takes fasteners easily. Furthermore, Real Cedar is naturally resistant to rot, decay and insects. So you can enjoy your customized Tiki bar for years to come with minimal maintenance.

In terms of WRC grades, for added warmth and texture choose knotty (Architect Knotty, Select Knotty), and for a crisp, clean look, choose clear (Architect Clear, 'A' & better). And when it comes to specifying sizes, we recommend asking your local Real Cedar retailer if they have any short lengths in stock. Using short lengths means less cutting, less waste and more savings for you. Search for kiln dried material, if available.

\*Actual net sizes may vary. Check with your Real Cedar retailer.

## WHAT YOU'LL NEED

Part #	Description	FINISHED SIZE			Nominal sizes	Material	Qty.
		T	W	L			
<b>Floor</b>							
A1	Floor frame	1 1/2"	5 1/2"	96"	2x6x8'	WRC Select Knotty	2
A2	Floor frame	1 1/2"	5 1/2"	60"	2x6x5'	WRC Select Knotty	7
A3	Floor bracing	1 1/2"	5 1/2"	13 3/4"	2x6x2'	WRC Select Knotty	2
A4	Floor bracing	1 1/2"	5 1/2"	14 1/2"	2x6x2'	WRC Select Knotty	4
A5	Floor deck	1 1/2"	5 1/2"	96"	2x6x8'	WRC Select Knotty	11

<b>Walls</b>							
B1	Back wall top/bottom	1 1/2"	5 1/2"	96"	2x6x8'	WRC Select Knotty	2
B2	Back wall studs	1 1/2"	5 1/2"	72 1/2"	2x6x7'	WRC Select Knotty	7
B3	Shelves	1 1/2"	5 1/2"	14 1/2"	2x6x2'	WRC Select Knotty	6
B4	Back wall siding	11/16"	5 1/2"	96"	1x6x8'	WRC Select Knotty	8
B5	Back wall siding	11/16"	3 1/2"	96"	1x4x8'	WRC Select Knotty	8

C1	Left wall studs	1 1/2"	3 1/2"	72 7/8"	2x4x7'	WRC Select Knotty	1
C2	Left wall studs	1 1/2"	3 1/2"	75 3/8"	2x4x7'	WRC Select Knotty	1
C3	Left wall studs	1 1/2"	3 1/2"	79 3/8"	2x4x7'	WRC Select Knotty	1
C4	Left wall studs	1 1/2"	3 1/2"	83 3/8"	2x4x7'	WRC Select Knotty	1
C5	Left wall studs	1 1/2"	3 1/2"	85 7/8"	2x4x8'	WRC Select Knotty	1
C6	Left wall bottom	1 1/2"	3 1/2"	53 1/2"	2x4x5'	WRC Select Knotty	1
C7	Left wall top	1 1/2"	3 1/2"	55 1/2"	2x4x5'	WRC Select Knotty	1
C8	Left wall siding	11/16"	5 1/2"	55"	1x6x5'	WRC Select Knotty	8
C9	Left wall siding	11/16"	3 1/2"	55"	1x4x5'	WRC Select Knotty	8
C10	Left wall siding	11/16"	5 1/2"	55"	1x6x5'	WRC Select Knotty	1
C11	Left wall siding	11/16"	5 1/2"	33 1/2"	1x6x3'	WRC Select Knotty	1
C12	Left wall siding	11/16"	3 1/2"	9 1/2"	1x4x1'	WRC Select Knotty	1

D1	Right wall studs	1 1/2"	3 1/2"	72 7/8"	2x4x7'	WRC Select Knotty	1
D2	Right wall studs	1 1/2"	3 1/2"	75 3/8"	2x4x7'	WRC Select Knotty	1
D3	Right wall studs	1 1/2"	3 1/2"	5 3/8"	2x4x1'	WRC Select Knotty	1
D4	Right wall studs	1 1/2"	3 1/2"	83 3/8"	2x4x7'	WRC Select Knotty	1
D5	Right wall studs	1 1/2"	3 1/2"	85 7/8"	2x4x8'	WRC Select Knotty	1
D6	Right wall bottom	1 1/2"	3 1/2"	11 1/2"	2x4x1'	WRC Select Knotty	2
D7	Right wall door top	1 1/2"	3 1/2"	55 1/2"	2x4x5'	WRC Select Knotty	1
D8	Right wall top	1 1/2"	3 1/2"	30 1/2"	2x4x3'	WRC Select Knotty	1
D9	Right wall siding	11/16"	5 1/2"	13"	1x6x2'	WRC Select Knotty	7
D10	Right wall siding	11/16"	3 1/2"	13"	1x4x2'	WRC Select Knotty	8
D11	Right wall siding	11/16"	5 1/2"	11 1/2"	1x6x1'	WRC Select Knotty	7
D12	Right wall siding	11/16"	3 1/2"	11 1/2"	1x4x3'	WRC Select Knotty	8

**NOTE:** Real Cedar is not responsible for any personal injury or property damage sustained in connection to these guidelines.

## WHAT YOU'LL NEED

Part #	Description	FINISHED SIZE			Nominal sizes	Material	Qty.
		T	W	L			
D13	Left wall siding	1 1/16"	5 1/2"	55"	1x6x5'	WRC Select Knotty	1
D14	Left wall siding	1 1/16"	5 1/2"	33 1/2"	1x6x3'	WRC Select Knotty	1
D15	Left wall siding	1 1/16"	3 1/2"	9 1/2"	1x4x1'	WRC Select Knotty	1
E1	Front wall top/bottom	1 1/2"	5 1/2"	88"	2x6x8'	WRC Select Knotty	2
E2	Front wall studs	1 1/2"	5 1/2"	27 1/4"	2x6x3'	WRC Select Knotty	7
E3	Front wall siding	1 1/16"	5 1/2"	88"	1x6x8'	WRC Select Knotty	3
E4	Front wall siding	1 1/16"	3 1/2"	88"	1x4x8'	WRC Select Knotty	3
<b>Post</b>							
F1	Front post	6"	6"	91 1/2"	6x6x8'	WRC	2
F2	Top post	6"	6"	119"	6x6x10'	WRC	1
<b>Roof</b>							
G1a	Roof front/back frame	1 1/2"	5 1/2"	60 1/4"	2x6x6'	WRC Select Knotty	2
G1b	Roof front/back frame	1 1/2"	5 1/2"	58 3/4"	2x6x5'	WRC Select Knotty	2
G2	Roof rafters	1 1/2"	5 1/2"	81 3/16"	2x6x7'	WRC Select Knotty	9
G3	Roof frame brace	1 1/2"	5 1/2"	15 1/4"	2x6x2'	WRC Select Knotty	6
G4	Roof frame brace	1 1/2"	5 1/2"	14 1/2"	2x6x2'	WRC Select Knotty	16
H1	Roof cover front	1 1/2"	7 1/2"	122"	2x8x11'	WRC Select Knotty	1
H2	Roof cover sides	1 1/2"	7 1/2"	91 1/4"	2x8x8'	WRC Select Knotty	2
H3	Roof cover back	1 1/2"	5 1/2"	119"	2x6x10'	WRC Select Knotty	1
I	Corrugated roofing panels and backing strips to size						3
J	Lumber yard standard 3"x3" flashing to size (optional)						1
<b>Bar Top</b>							
K1	Bar top	3 1/2"	18" approx	100"	4x20x9'	*Live edge	1
K2	Bar top support	1 1/2"	5 1/2"	10 1/8"	2x6x1'	WRC Select Knotty	2
<b>Misc.</b>							
L1	End cap	1 1/2"	5 1/2"	82 1/8"	2x6x7'	WRC Select Knotty	2
L2	End cap	1 1/2"	5 1/2"	81 1/8"	2x6x7'	WRC Select Knotty	2

\*Note: if you don't have a live edge, ask your local Real Cedar retailer for a 3x12 slab.

## WHAT YOU'LL NEED

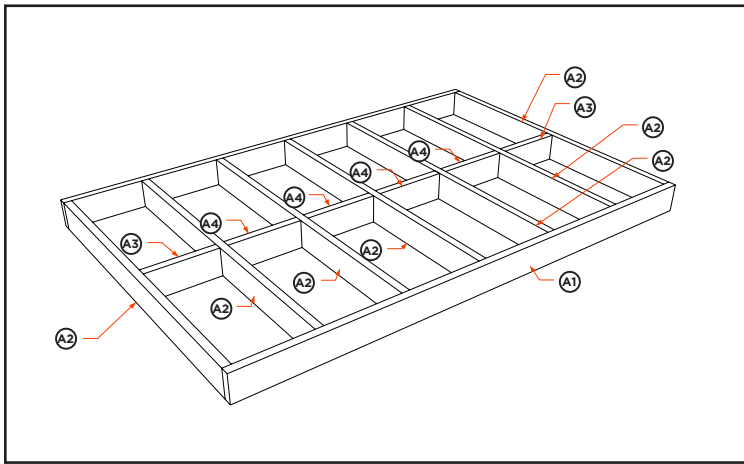
Part #	Description	FINISHED SIZE			Nominal sizes	Material	Qty.	
		T	W	L				
<b>Door</b>								
M1	Door frame vertical	1 1/2"	2 1/2"	72 3/4"	2x3x6'	WRC Select Knotty	2	
M2	Door frame horizontal	1 1/2"	2 1/2"	29 1/2"	2x3x3'	WRC Select Knotty	2	
M3	Door frame brace	1 1/2"	2 1/2"	72 1/16"	2x3x6'	WRC Select Knotty	1	
M4	Door siding	11/16"	5 1/2"	30"	1x6x3'	WRC Select Knotty	7	
M5	Door siding	11/16"	3 1/2"	30"	1x4x3'	WRC Select Knotty	8	
<b>Cover</b>								
N1	Cover frame vertical	1 1/2"	2 1/2"	89 1/4"	2x3x8'	WRC Select Knotty	4	
N2	Cover frame horizontal	1 1/2"	2 1/2"	25"	2x3x3'	WRC Select Knotty	4	
N3	Cover frame bracing	1 1/2"	2 1/2"	20"	2x3x2'	WRC Select Knotty	6	
N4	Cover siding	11/16"	5 1/2"	88"	1x6x8'	WRC Select Knotty	5	
N5	Cover siding	11/16"	3 1/2"	88"	1x4x8'	WRC Select Knotty	4	
N6	Cover siding	11/16"	4"	30"	1x6x3'	WRC Select Knotty	1	
N7	3" stainless steel barrel bolt						4	
<b>Hardware</b>								
	Brad nails					Stainless steel	300	
	# 8 stainless screws			3"		Stainless steel	100	
	other screws?						40	
	2 1/2 inch number 10 hex screws with rubber washers. For corrugated roof							20
	4" stainless steel butt hinges for door							2
	Slide action stainless steel gate latch for door							1
	3" stainless steel barrel bolt for front covers							4

\*Actual net sizes may vary. Check with your Real Cedar retailer.

## INSTALLATION PRO TIPS

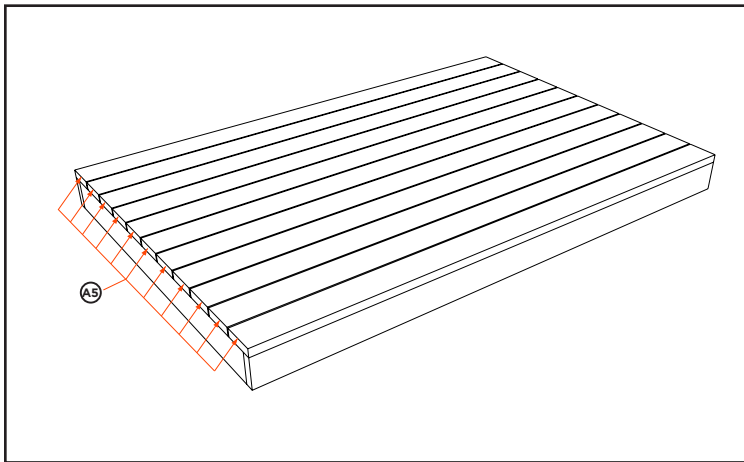
1. Where gluing is required, only apply a polyurethane construction adhesive specially formulated for outdoor applications. Using a scrap of wood, spread a thin even layer of glue like butter on toast. Avoid applying excessive amounts and keep glue at least 1/2" away from exterior edges of joint to avoid unappealing bleed out. Press pieces in place briefly, then pull them apart for a second before pressing firmly back in place (this helps activate the glue so it will set faster). Always use clamps to keep pieces in position while driving in screws because until the glue dries, pieces are at risk of slipping.
2. For all outdoor work, you should use corrosion-resistant stainless steel or hot-dipped galvanized nails. Other fasteners and hardware such as bolts, screws and hinges should also be made from similar corrosion resistant materials.
3. You can let the cedar weather naturally (eventually turning a beautiful silvery patina), or you can choose to finish the structure - in which case, apply the finish to all six sides of the components before assembly.

**NOTE:** Real Cedar is not responsible for any personal injury or property damage sustained in connection to these guidelines.



### STEP 1 - Build Flooring Frame

Working on a flat surface, attach seven evenly spaced (A2) frames along one side of (A1) frame. Then top with a second (A1) frame. Complete by installing two (A3) braces between the outer (A2) supports on either side, and four (A4) braces between the inner (A2) supports. Make sure your frame is square and true before proceeding to Step 2.

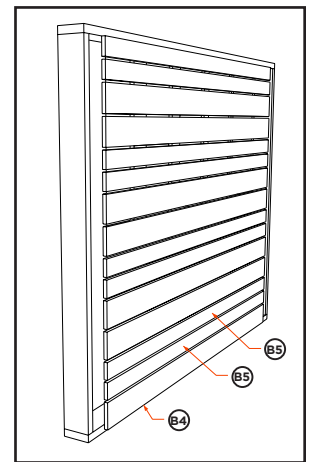
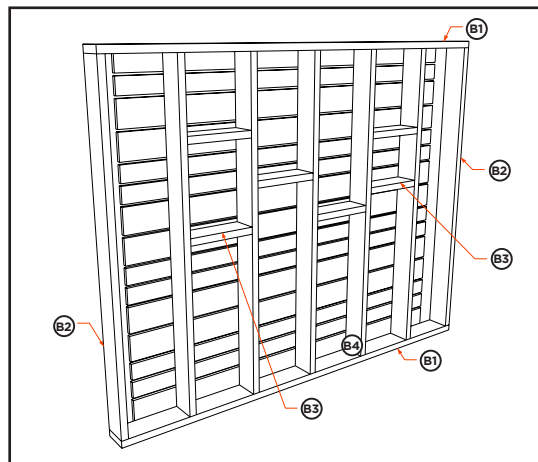
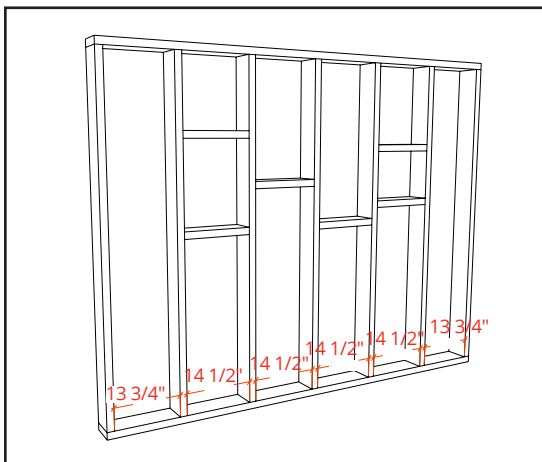


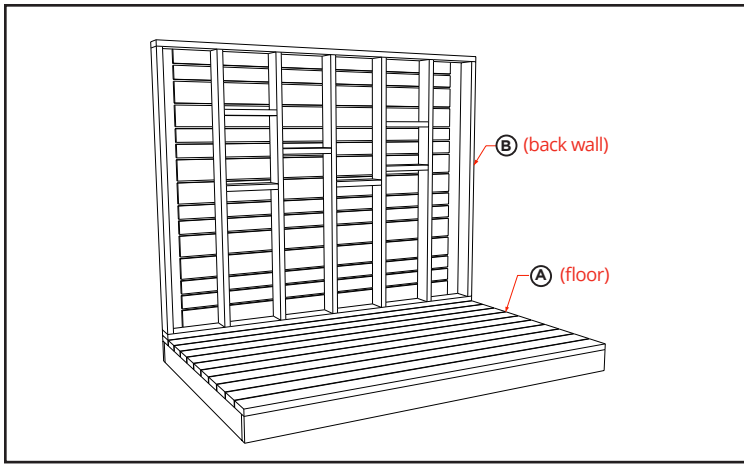
### STEP 2 - Install Decking

Fasten eleven (A5) decking boards to frame, leaving 1/4" between each piece to allow for proper airflow. Make sure ends fit flush with frame.

### STEP 3 - Build Back Wall

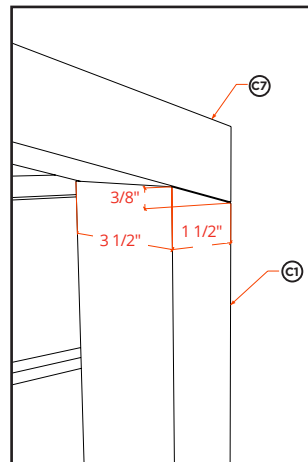
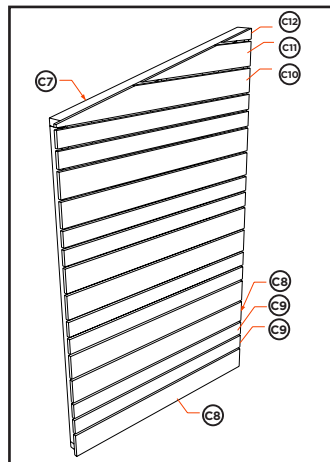
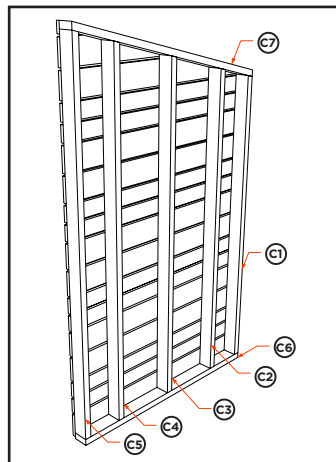
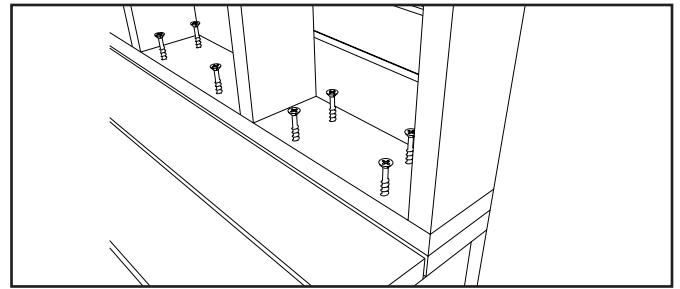
Working on a flat surface, attach seven (B4) frames along one side of a (B1) frame and top with second (B1) frame. Install six (B3) shelving pieces in between (B2) frames according to your own storage needs. Clad back, starting with one (B4) siding board at the bottom. Then two (B5) pieces and then two (B4) boards, alternating thick and narrow pairs and leaving 1/2" space in between in each board.





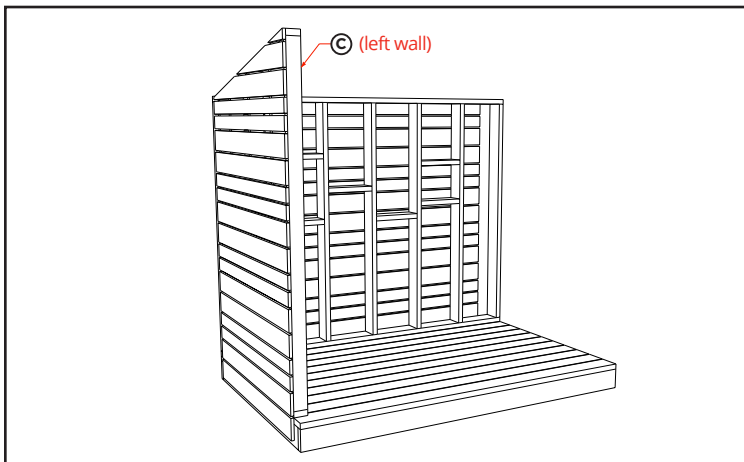
#### STEP 4 - Install Back Wall

Using 3" stainless steel screws, connect back wall to floor.



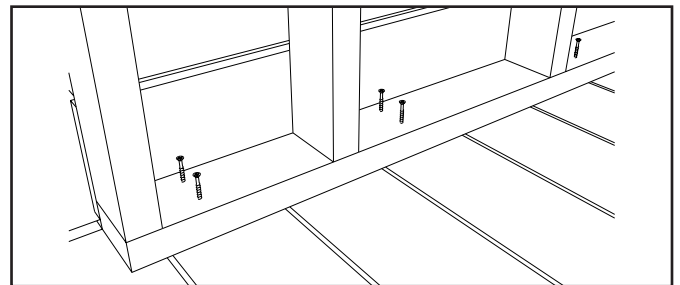
#### STEP 5 - Build Left Wall

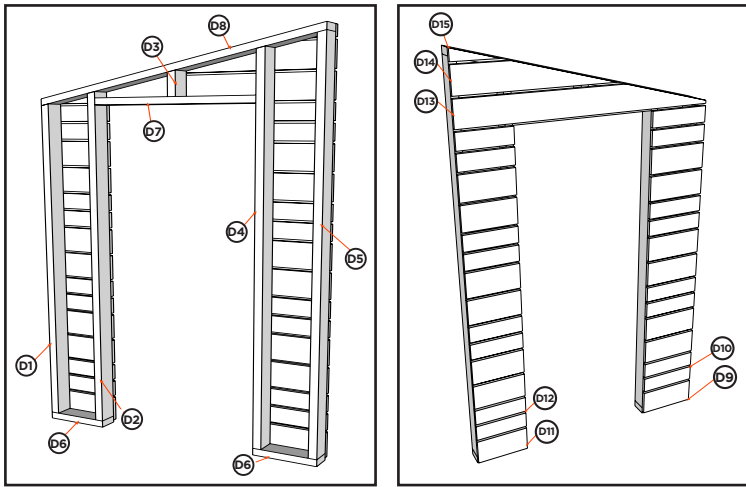
Attach (C1) back frame to (C6) bottom frame, followed by (C2), (C3), (C4) frames & finish with one (C5) front frame. Top with (C7) top frame. Facing (C5) frame, clad the left side of structure. Start with a (C8) siding piece and then install two (C9) siding pieces, alternating thick and narrow pairs and leaving 1/2" space in between each board. Top with customized (C10), (C11) and (C12) pieces cut at 14 degree angles.



#### STEP 6 - Install Left Wall

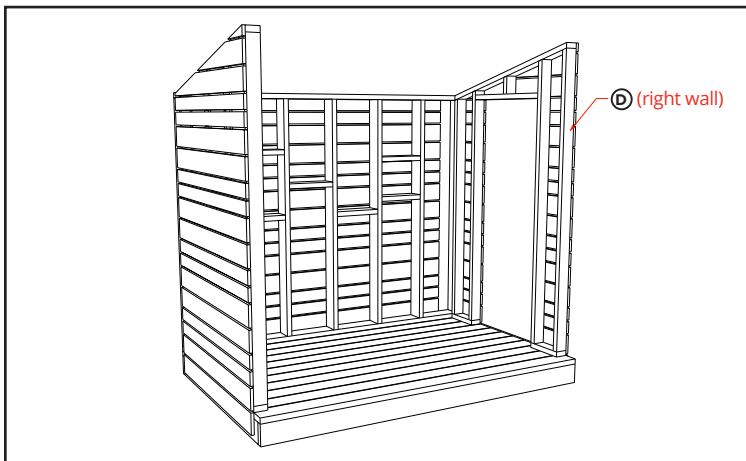
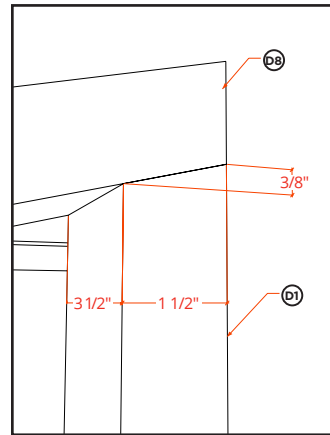
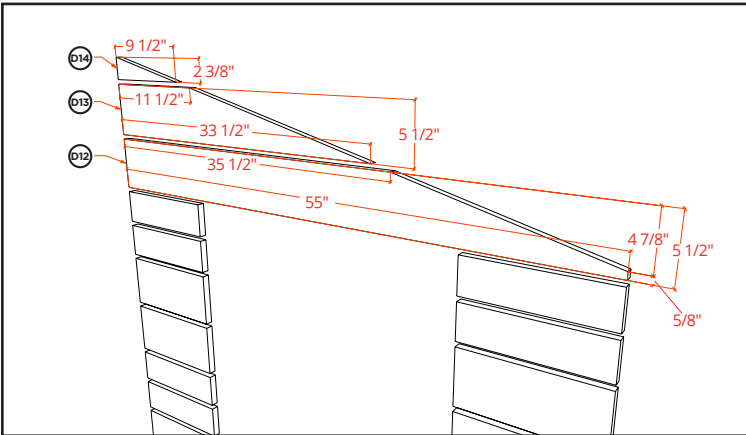
Line the wall plate up with the outside of the decking and make sure it's not overhanging on either end, and then fasten to deck and corner of back wall.





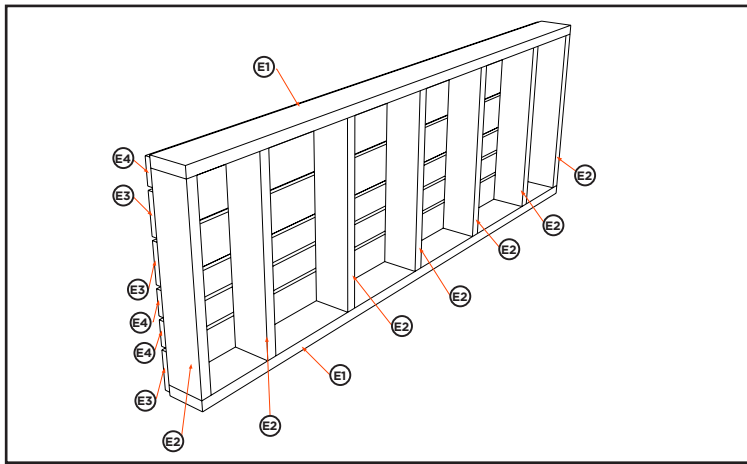
## STEP 7 - Build Right Wall

Working on a flat surface, attach (D5) back frame and (D4) door frame to (D6) bottom frame and attach to (D8) top frame. Then attach (D2) door frame and (D1) to (D6) bottom frame and attach 3-piece assembly to other side of (D8) top frame. Attach (D3) middle frame to (D8) top frame, spaced evenly between (D4) frame and (D2) frame. Attach (D7) door frame to (D3) middle frame and either side of (D4) and (D2) frames. Then clad in an alternating order, as shown in the illustration.



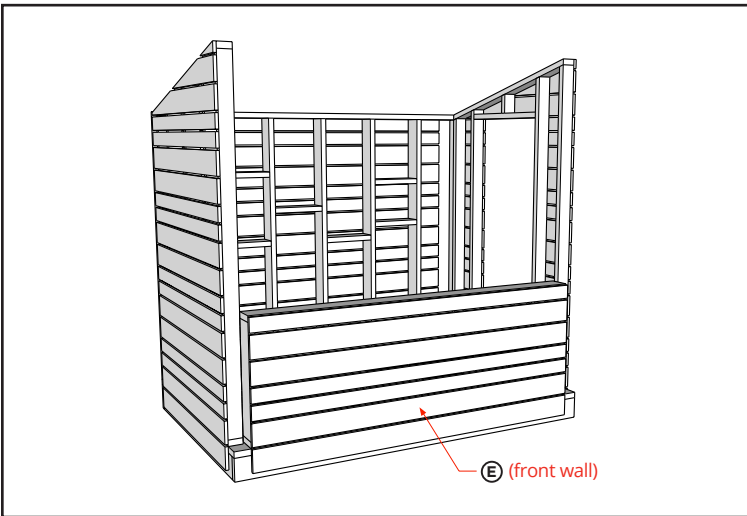
## STEP 8 - Install Right Wall

Using 3" stainless steel screws, attach to floor and back wall.



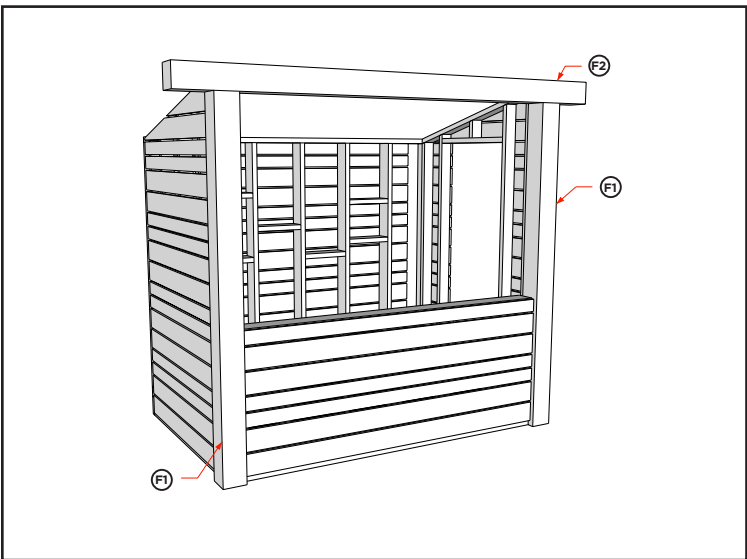
### STEP 9 – Build Front Wall

Attach seven evenly spaced (E2) studs to (E1) bottom plate and then attach (E1) top plate.



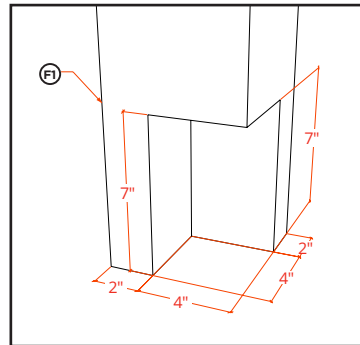
### STEP 10 - Install Front Wall

Install front wall between two side walls.



### STEP 11 - Cut Front Beams

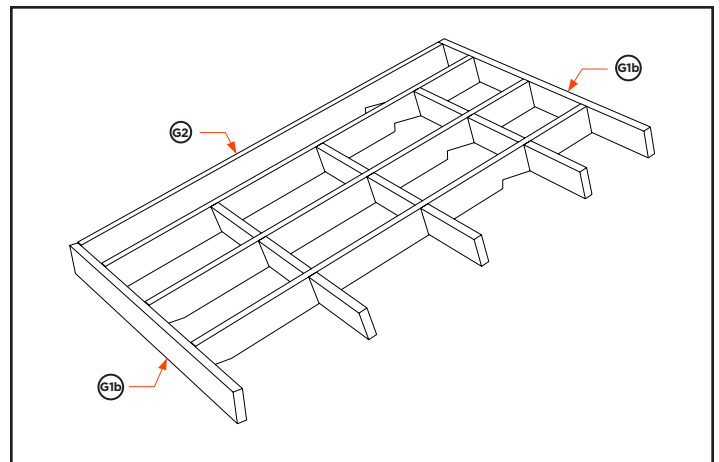
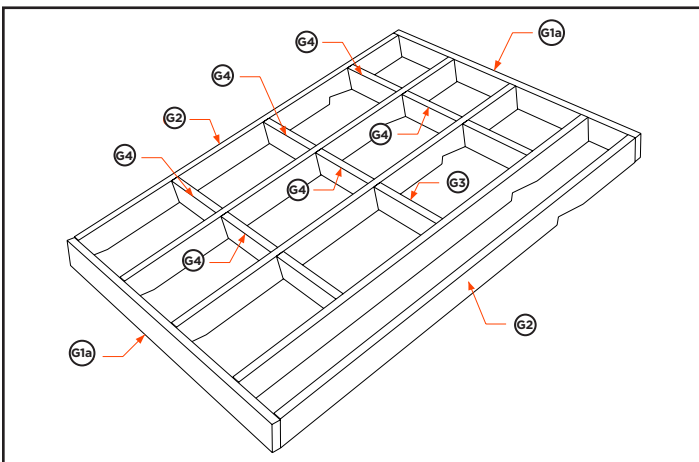
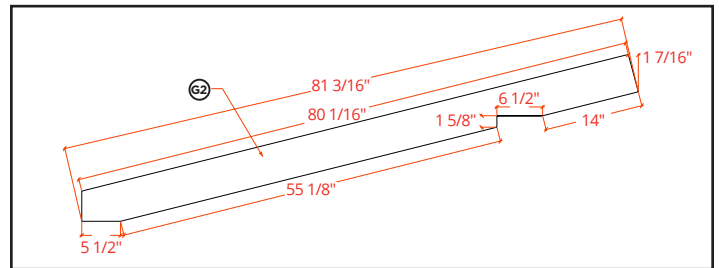
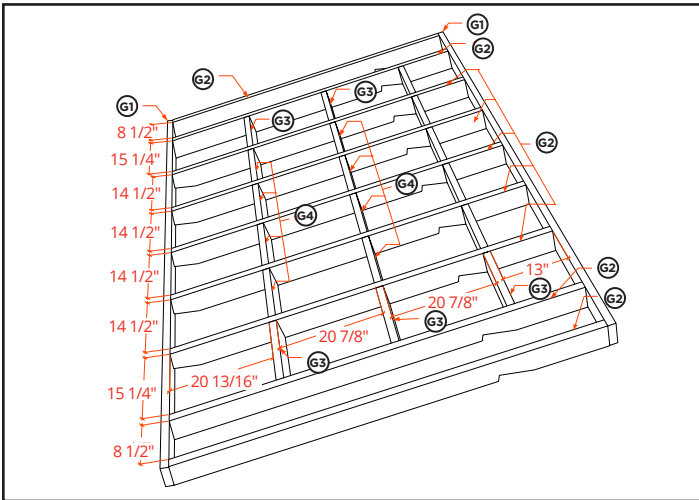
Cut and notch (F1) beams and attach to decking and front of side walls, making sure the (F1) bottom corners are snugly wrapped around floor corners. Then attach (F2) beam to top of installed (F1) beams.





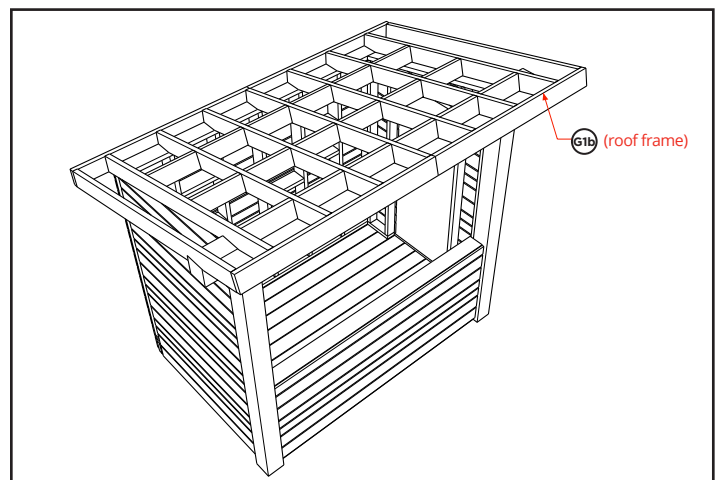
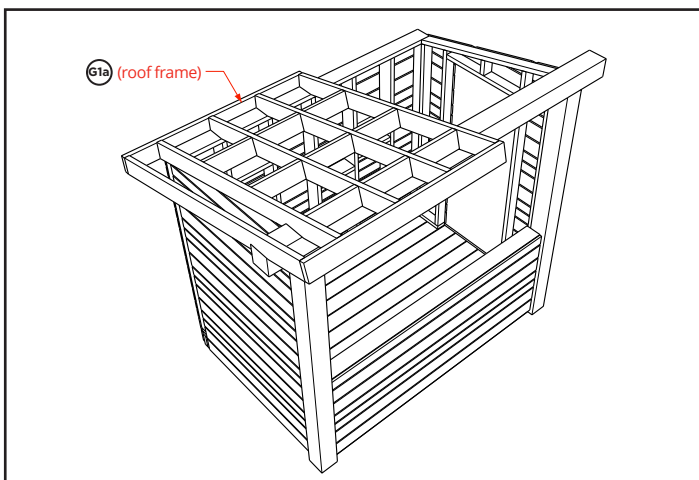
## STEP 12 - Build Roof Frame

Build frame in two sections. For the first section, attach five (G2) roof supports to (G1a) frame and top with second (G1a) frame. Install nine (G4) bracing pieces in between inner (G2) supports. For second section, attach four (G2) supports to one (G1b) frame and then top with second (G1b) frame. Fill in with (G4) bracing, according to illustration.

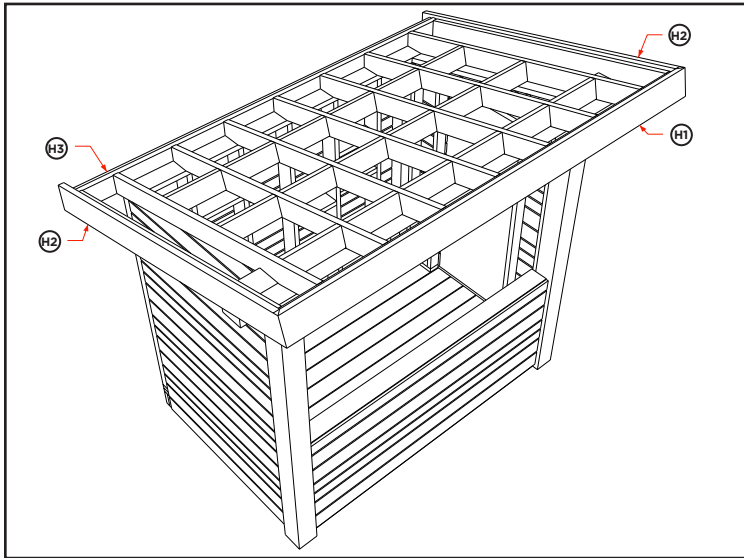


## STEP 13 - Install Roof Frame

Raise each section individually and attach in place using 3 inch screws.

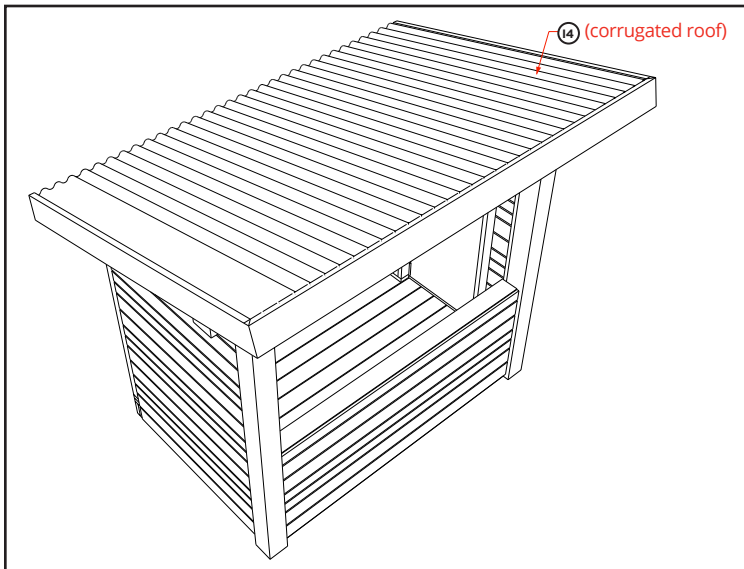


**NOTE:** Real Cedar is not responsible for any personal injury or property damage sustained in connection to these guidelines.



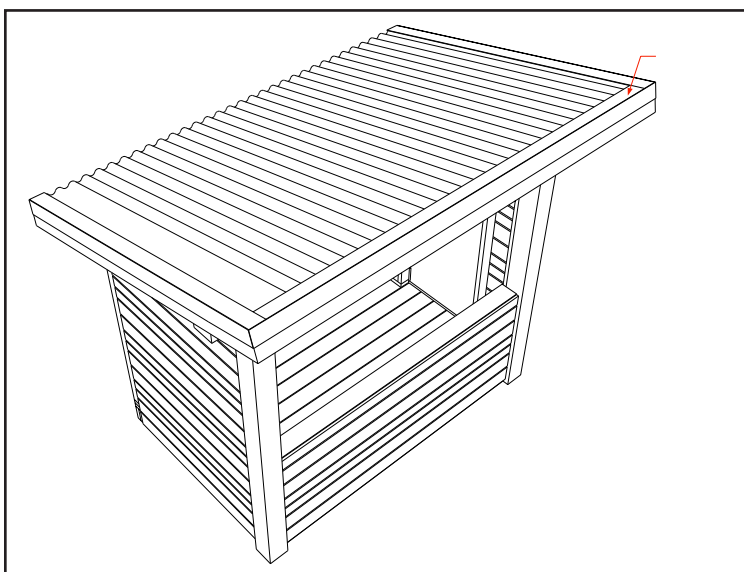
### STEP 14 - Add Roofing Covers

Wrap roof with covers, starting with (H1) front cover, then (H2) covers on the sides and insert (H3) in the back between both (H2) pieces.



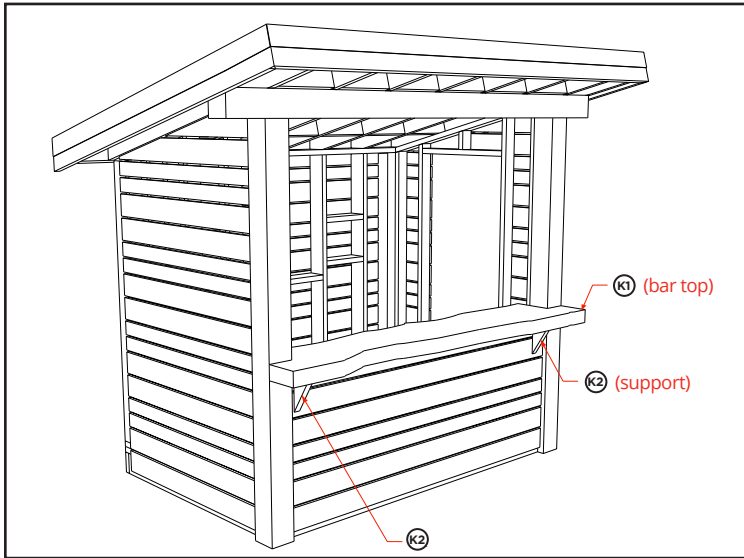
### STEP 15 - Install Corrugated Roof

Attach corrugated roofing to roof frame according to corrugated roof instructions.



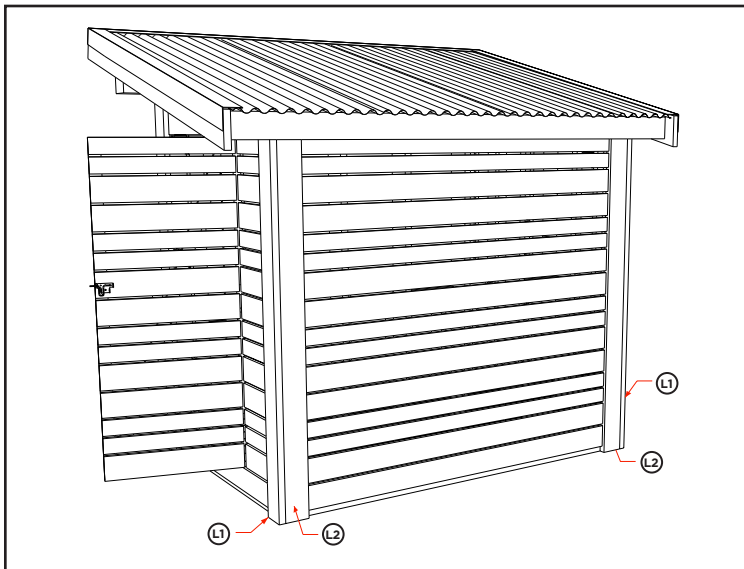
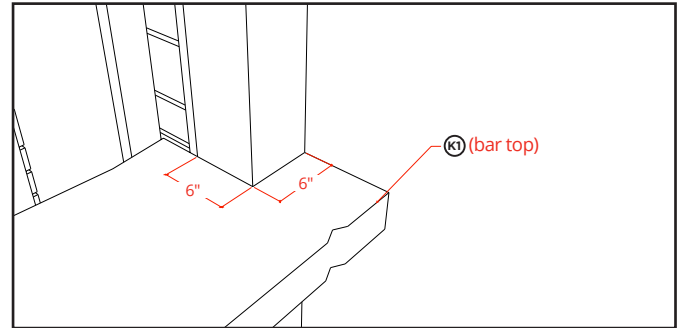
### STEP 16 - Install Roofing Trim

Secure roofing down by attaching (J) flashing to front of roof parallel to (H1) cover.



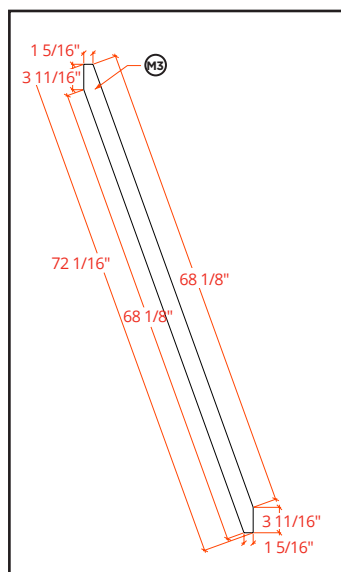
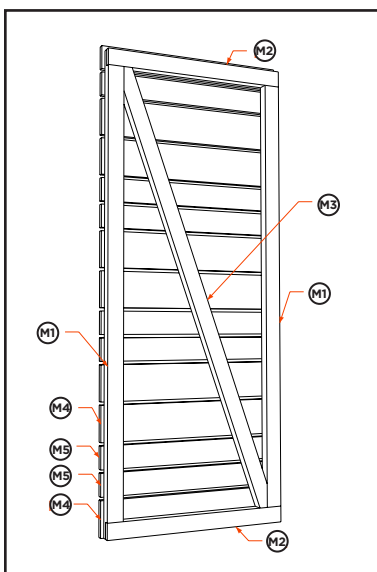
### STEP 17 - Install Bar Top

Attach (K) counter to top of front wall. Then butt (K2) supports right up to (F1) beams underneath counter and attach.



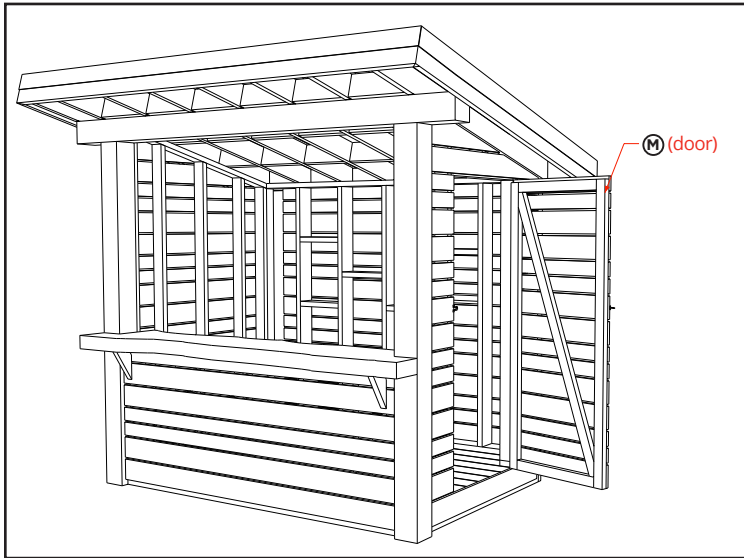
### STEP 18 - Install Back Covers

Attach (L2) covers to both back corners so that they're flush with back wall. Then fasten (L1) covers to (L2) covers.



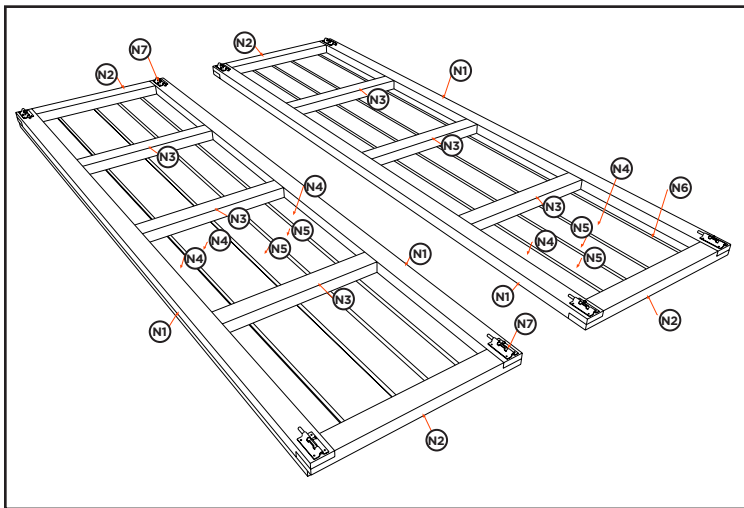
### STEP 19 - Build Side Door

Attach two (M1) door frames to either side of one (M2) door frame and then top with second (M2) frame. Install (M3) door support diagonally across inside of frame. Then clad in pattern according to illustration.



## STEP 20 - Install Side Door

Butt hinges 6" from top and bottom to the center of the hinge. Then hang door as finished units by first marking where the hinges should fasten to the shed in order for the shed siding and the door siding to line up. You will need a helper to hold the doors while you fasten the hinges to the shed. Attach slide action, stainless steel gate latch.



## STEP 21 - Build Cover Panels

For each panel, attach a (N2) frame to either side of one (N1) frame and complete rectangle by adding another (N1) frame. Then install three evenly spaced (N3) frame braces and clad according to illustration. Add a latch to all four corners of each panel and get a helper to hold panels in place while you mark location of holes that will receive barrel bolts and then install accordingly.

