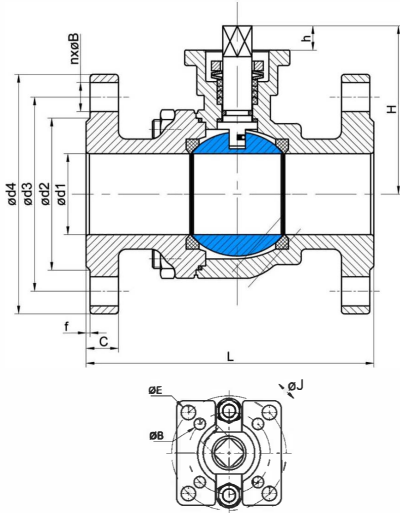




2-PC Stainless Steel Ball Valve Flange Ends

Full Port
150BL

High Mounting Pad

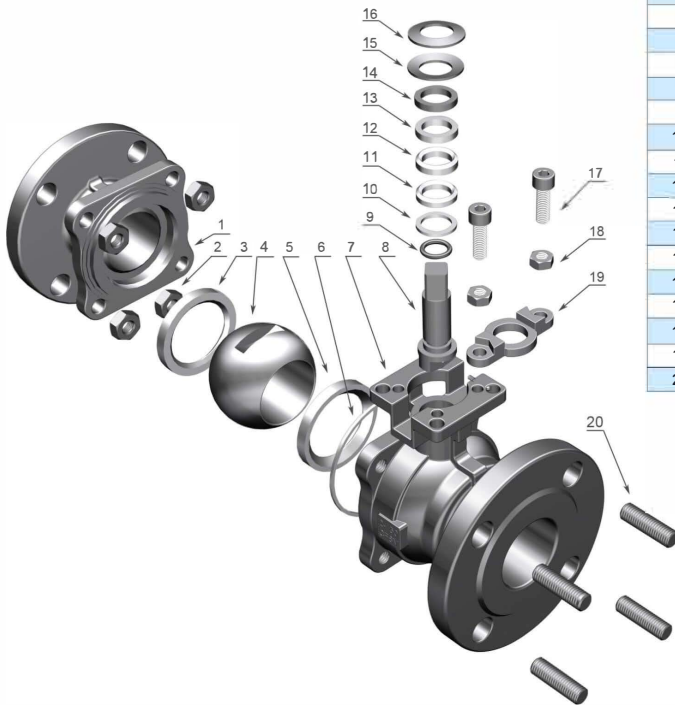


Feature:

- Full Port
- ANSI Class 150 Flange Connection
- Size: 1/2" to 8" (DN15-200)
- Valve Body Material: Stainless Steel
AISI-316(EN10213 1.4408)(ASTM-A351-CF8M)
AISI-304(EN10213 1.4308)(ASTM-A351-CF8)
- Fire-Safe Design
- ISO 5211 Direct Mounting Pad
- Locking Device Handle

Technical Specification:

- Basic design and manufacture according to ANSI B16.34
- Face-to-face according to ANSI B16.0
- Flange ends according to ANSI 16.5
- Inspection and tested according to API598



NO.	PARTS NAME	MATERIAL	
1	Cap	CF8M	CF8
2	Nut	SS304	
3	Seat	PTFE	RPTFE
4	Ball	SS316	SS304
5	Seat	PTFE	RPTFE
6	Gasket	PTFE	RPTFE
7	Body	CF8M	CF8
8	Stem	SS316	SS304
9	O-Ring	Viton	
10	Thrust Washer	PTFE	RPTFE
11	Stem Packing	PTFE	RPTFE
12			
13	Washer	SS304	
14			
15	Belleville Washer	SS304	
16	Stud Bolt	SS304	
17	Nut	SS304	
18	Gland Bolt	SS316	SS304
19			
20		SS304	

DN	$\varnothing B$	$\varnothing E$	$\varnothing J$
1/2"	6	6	9
3/4"	6	6	9
1"	8	6	11
1-1/4"	8	6	11
1-1/2"	10	8	14
2"	10	8	14
2-1/2"	12	10	17
3"	12	10	17
4"	12	10	19
5"	14	12	22
6"	16	14	24
8"	16	14	24

DN	$\varnothing d1$	$\varnothing d2$	$\varnothing d3$	$\varnothing d4$	$n \times \varnothing B$	L	H	h	C	f	ISO-5211	
1/2"	15	34	60.3	90	4-16	108	58	4	14.1	1.6	F03	F04
3/4"	20	42.3	70	100	4-16	117	65	5	14.6	1.6	F04	F05
1"	25	50.5	79.4	110	4-16	127	74	10	14.6	1.6	F04	F05
1-1/4"	32	64	89	120	4-16	140	82	10	16.1	1.6	F04	F05
1-1/2"	40	73.2	98.4	130	4-19	165	96	14	18.5	1.6	F05	F07
2"	50	90	120.5	152	4-19	178	116	15.5	19	1.6	F05	F07
2-1/2"	65	106.2	139.5	180	4-19	190	132	16	21.1	1.6	F07	F10
3"	80	128.8	152.4	194	4-19	203	145	18	22.1	1.6	F07	F10
4"	100	159.7	190.5	233	8-19	229	150	20	25.1	1.6	F07	F10
5"	125	186	215.9	255	8-22	356	185	25	24	1.6	F10	F12
6"	150	216	241.4	278	8-22	394	205	28	25.5	1.6	F10	F12
8"	200	270	298.5	344	8-22	457	255	35	28.6	1.6	F14	

