



Gate Valve

Full Port
200WOG



FEATURES:

Various Thread Standards Available

Stainless Steel One Piece Seat

Using De-waxing Precision Casting

STANDARDS:

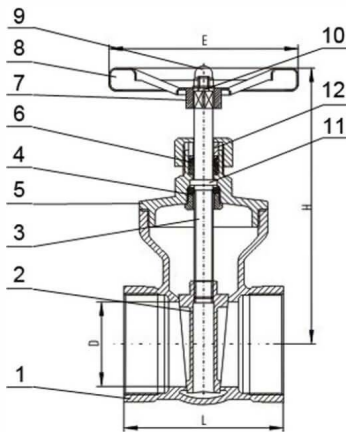
Design: ASME B16.34

Wall Thickness: ASME B16.34

Pipe Thread: ASME B1.20.1,BS21

DIN 2999/259,ISO 228/1 JIS B 0203,ISO 7/1

Inspection & Testing: MSS SP-110,EN 12266



NO	PARTS NAME	MATERIAL	
1	Body	CFBM	CF8
2	Disc	CFBM	CF8
3	Stem	SUS304	SUS316
4	Body Gasket	PTFE	
5	Cap	CFBM	CF8
6	Stem Seal	PTFE	
7	Stop Nut	CFBM	CF8
8	Wheel Handle	Aluminum	
9	Stem Nut	SUS304	
10	Washer	SUS304	
11	Stop Gasket	SUS304	
12	Gland	SUS304	

Unit:mm

Size	1/2"	3/4"	1"	1-1/4"	1-1/2"	2"	2-1/2"	3"
	DN15	DN20	DN25	DN32	DN40	DN50	DN65	DN80
L	55	60	65	75	85	95	106.5	116.5
H	93	105	115	130	145	170	200	218
Ø E	70	70	80	80	100	100	125	125



www.fluidflo.com.au
info@fluidflo.com.au
ABN 28480253276

FRECALL 1800 46 47 03