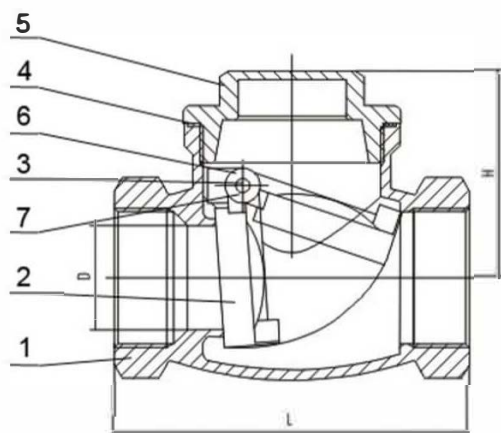




Swing Check Valve

**Full Port
200WOG**



FEATURES:

Various Thread Standards Available

Swing Disc

Using Dewaxing Precision Casting

STANDARDS:

Design: ASME B16.34
 Wall Thickness: ASME B16.34
 Pipe Thread: ASME B1.20.1,BS21
 DIN 2999/259,ISO 22B/1
 JIS B 0203,ISO 7/1
 Inspection & Testing:
 MSS SP-110,EN 12266

NO	PARTS NAME	MATERIAL		
		CF8M	CF8	WCB
1	Disc			
2	Body	VITON		FKM
3	Pin	SUS316	SUS304	
4	Seat		PFTE	
5	Cap	CF8M	CF8	WCB
6	Washer		SUS304	
7	Bolt		SUS304	

Unit:mm

Size	1/2"	3/4"	1"	1-1/4"	1-1/2"	2"
L	60	78	84	94	104	122
Ød	15	20	25	32	40	48
H	41.5	45	49	53.5	58.5	67
C	35	39.5	45	53.5	62	74



www.fluidflo.com.au
 info@fluidflo.com.au
 ABN 28480253276

FRECALL 1800 46 47 03