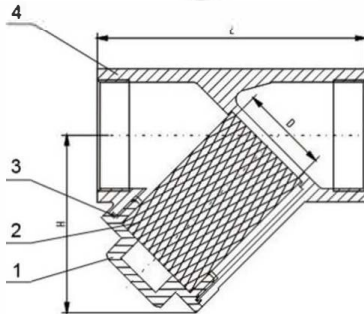




Y Strainer Ball

800WOG



FEATURES:

Various Thread Standards Available
Suitable For Installation In horizontal
And Vertical
Installation And Maintenance Is
Simple, Easy To Clean Screen

STANDARDS:

Design: ASME B16.34
Thickness ASME B16.34 Pipe Thread: ASME
B1.20.1,B521
DIN 2999/259,ISO 228/1
JIS B 0203,ISO 7/1
Inspection & Testing:
MSS SP-110,EN 12266

NO	PARTS NAME	MATERIAL	
1	Cap End	CF8M	CF8
2	Filter Screen	SUS304	
3	Cap Gasket	PTFE	
4	Body	CF8M	CF8

Unit:mm

Size	1/4"	3/8"	1/2"	3/4"	1"	1-1/4"	1-1/2"	2"	2-1/2"	3"
	DN6	DN10	DN15	DN20	DN25	DN32	DN40	DN50	DN65	DN80
L	56	65	65	75	90	110	120	140	190	205
ØDN	11	11	15	20	25	32	38	48	65	78
Ød	11.6	11.6	17.5	23	29	38	43.5	55	69	81.5
H	37.8	37.8	44.7	52.1	65.7	70	79.5	95.5	125	144.5



www.fluidflo.com.au
info@fluidflo.com.au
ABN 28480253276

FREECALL 1800 46 47 03