



Fluidflo Capability and Product Overview



Fluidflo Capability and Product Overview

Fluidflo has over 30 years experience supplying industry with valves and valve related products to the water, wastewater, mining, and chemical sectors.

All of our products have a minimum ISO9001 accreditation with most having multiple accreditations. We offer in house CAD, Revit and 3D drawing as well as produce special

configurations for most industries. All our products are long standing, tried, and proven within the industry and include the following certifications:



RoHS



Contents

Thermoplastic Ball Valves _____	1
Thermoplastic Butterfly Valves _____	2
Thermoplastic Diaphragm Valves _____	3
Thermoplastic Union Check Valves _____	4
Thermoplastic Wafer Check Valves _____	5
Thermoplastic Strainers & Air Valves _____	6
Direct Acting Pressure Relief Valves _____	7
Direct Acting Pressure Reducing Valves _____	8
Flowmeters & Instruments _____	9
Electric Actuators _____	10
Pneumatic Actuators & Switch Boxes _____	11
Solenoid Valves _____	12
Accessories _____	13

Thermoplastic Ball valves

2- and 3-way ball valves include Industrial and general Purpose. All industrial valves can be actuated and fitted with locking device, they also include provision for base mounting to wall and colour coding of handle.

3-way versions are available in L or T port and can also be actuated. Sampling valves are also within this range.

Specifications

<p>Materials UPVC, CPVC, ABS, PP, PVDF, PE</p>	<p>Pressure range Up to 16Bar</p>
<p>Elastomers EPDM or Viton</p>	<p>Size range DN10-DN100</p>
<p>Connection Socket Weld, BSP, NPT, Spigot or Flanged BS, and ANSI</p>	<p>Options Limit switch, gearbox, electric or Pneumatic actuation, extensions</p>



SEE FLUIDFLO DATA SHEETS FOR DETAILS

TEL: (03) 9290 9813 | INFO@FLUIDFLO.COM.AU | WWW.FLUIDFLO.COM.AU

Thermoplastic Butterfly valves

We offer industrial and general purpose Butterfly valves, all of which feature a dry shaft full rubber liner, lock device and can be actuated.

Specifications

Disc Materials

UPVC, CPVC, ABS, PP & PVDF

Pressure range

Up to 16Bar

Elastomers

EPDM or Viton

Size range

DN50 to DN300

Connection

Wafer and lugged to suit T/E & ANSI

Options

Limit switch, gearbox, electric or Pneumatic Actuation and extensions



SEE FLUIDFLO DATA SHEETS FOR DETAILS

TEL: (03) 9290 9813 | INFO@FLUIDFLO.COM.AU | WWW.FLUIDFLO.COM.AU

Thermoplastic Diaphragm Valves

Diaphragm valves for isolation and flow control
All feature locking device and valve position
Indicator.

Specifications

Materials

UPVC, CPVC, PP or PVDF

Pressure range

Up to 10Bar

Elastomers

EPDM or Viton

Size range

DN10-DN100

Connection

Socket Weld BSP, NPT, Spigot or Flanged BS,
and ANSI.

Options

Electric or pneumatic actuation.



Thermoplastic Union Check Valves

Double union check valves including ball check and spring cone check valves. Featuring PTFE coated spring and a non-clog ball type design.

Specifications

Materials

UPVC, CPVC, PP, or PVDF

Elastomers

EPDM or Viton

Connection

Socket Weld, BSP, NPT, Spigot or Flanged BS, and ANSI.

Pressure range

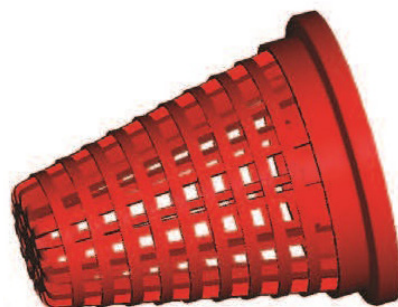
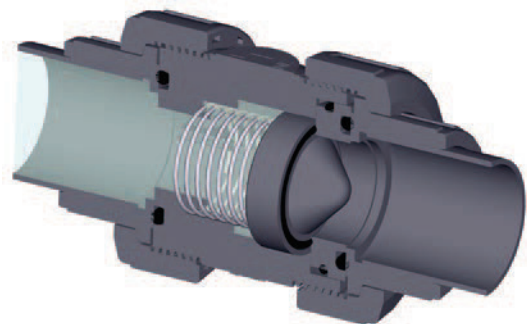
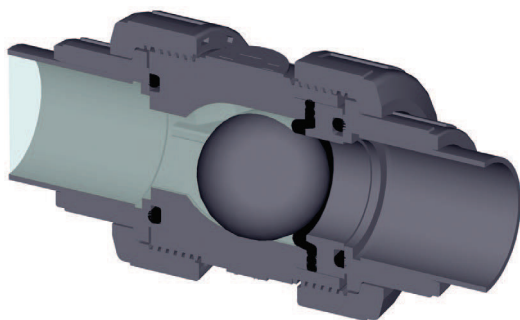
Up to 16Bar

Size range

DN10-DN100

Options

Screen to convert to foot valve



SEE FLUIDFLO DATA SHEETS FOR DETAILS

TEL: (03) 9290 9813 | INFO@FLUIDFLO.COM.AU | WWW.FLUIDFLO.COM.AU

Thermoplastic Wafer Check Valves

Wafer type check valves typically used in larger pipe sizes where space is at a premium, they are available with or without a spring and with or without external position indicator.

Specifications

Materials

UPVC, CPVC, PP, or PVDF

Pressure range

Up to 16Bar

Elastomers

EPDM or Viton

Wafer to suit

BS/E, ANSI, or DIN flanges



SEE FLUIDFLO DATA SHEETS FOR DETAILS

TEL: (03) 9290 9813 | INFO@FLUIDFLO.COM.AU | WWW.FLUIDFLO.COM.AU

Thermoplastic Strainers & Air Valves

Both Sediment strainers and air release valves are available as double union body. Sediment strainers have a clear body which enables user to gauge when cleaning is needed. Air

valves are mounted at highest point in system to allow venting of air to keep pipeline full.

Specifications

<p>Materials UPVC, PP or GRN</p>	<p>Pressure range Up to 16Bar</p>
<p>Elastomers EPDM or Viton</p>	<p>Size range DN10-DN100</p>
<p>Connection Socket Weld, BSP, NPT, Spigot or Flanged BS, and ANSI</p>	<p>Options Filter screen size 0,5/0,75/1 mm</p>



Direct Acting Pressure Relief Valves

Pressure relief valves depending on model can be used as a safety relief valve, bypass valve or sustaining valve. Available in various materials pressure ratings and connections.

They are pre-set to relieve at a maximum pressure or used to maintain a backpressure in a system.

Specifications

Materials

Bronze, 316ss, Titanium, UPVC, PP, PVDF

Pressure range

1-25Bar

Elastomers

EPDM, NBR, Viton, and PTFE

Size range

DN15-DN150

Connection

Threaded BSP/NPT flanged

Options

Very low-pressure version 0.02Bar



Direct Acting Pressure Reducing Valves

Direct acting pressure reducing valves keep a constant downstream pressure regardless of the upstream pressure. They are pre-set using the adjustment screw on top of the valve body.

Available in various materials pressure ratings and connections.

Specifications

Materials

Ductile Iron, Bronze, 316ss, Titanium UPVC, PP, and PVDF

Elastomers

EPDM, NBR, Viton, and PTFE

Connection

Threaded BSP/NPT flanged

Pressure range

1-25Bar

Size range

DN15-DN150

Options

Very low-pressure version 0.02Bar

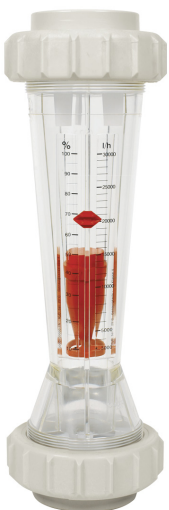


Flowmeters & Instruments

Various flowmeters and instruments including Rotameters and diaphragm seals for measuring flow and pressure. All meters can be fitted with switches for external monitoring

Specifications

<p>Materials Brass, 316ss, UPVC, PP, PVDF</p>	<p>Pressure range 1-10Bar</p>
<p>Elastomers EPDM, NBR, Viton, and PTFE</p>	<p>Size range DN10-DN500</p>
<p>Connection Threaded BSP/NPT, flanged</p>	<p>Options High & Low flow switches.</p>



SEE FLUIDFLO DATA SHEETS FOR DETAILS

TEL: (03) 9290 9813 | INFO@FLUIDFLO.COM.AU | WWW.FLUIDFLO.COM.AU

Electric Actuators

Electric actuators to fit most valve mountings single and multi-voltage. 20Nm to 4000Nm we can also supply fail-safe option as well as modulating option. Fast version and IP68 protection.

Options Available

- Fail Safe.
- 1 second fast closure.
- Additional switches.
- Modulating.
- Timer control.
- Wireless programming.
- Explosion Proof.



SEE FLUIDFLO DATA SHEETS FOR DETAILS

TEL: (03) 9290 9813 | INFO@FLUIDFLO.COM.AU | WWW.FLUIDFLO.COM.AU

Pneumatic Actuators & Switch Boxes

Electric actuators to fit most valve mountings single and multi-voltage. 20Nm to 4000Nm we can also supply fail-safe option as well as modulating option. Fast version and IP68 protection.

Specifications

Materials Brass, 316ss, UPVC, PP, PVDF	Pressure range 1-10Bar
Elastomers EPDM, NBR, Viton, and PTFE	Size range DN10-DN500
Connection Threaded BSP/NPT, flanged	Options High & Low flow switches.



SEE FLUIDFLO DATA SHEETS FOR DETAILS

TEL: (03) 9290 9813 | INFO@FLUIDFLO.COM.AU | WWW.FLUIDFLO.COM.AU

Solenoid Valves

Solenoid valves available in brass, stainless steel and thermoplastic. All fitted with DIN plug and LED interchangeable coils in all voltages. Used on water oil, gas, air, and chemicals.

Specifications

Materials

Brass, 316ss, GRN

Pressure range

1-100Bar

Elastomers

EPDM, NBR, Viton, and PTFE

Size range

DN6-DN100

Connection

Threaded BSP/NPT, flanged

Options

Normally Open, Explosion Proof, Low power coil.



SEE FLUIDFLO DATA SHEETS FOR DETAILS

TEL: (03) 9290 9813 | INFO@FLUIDFLO.COM.AU | WWW.FLUIDFLO.COM.AU

Accessories

