

# FRV-316 & FRV-316-LE

STAINLESS STEEL SAFETY RELIEF VALVES

TELEPHONE: (03)9290-9813  
INFO@FLUIDFLO.COM.AU  
WWW.FLUIDFLO.COM.AU



FRV-316



FRV-316-LE

## Features

- Available in Female or Male inlet to suit installation.
- PTFE seat for tight shut off.
- Easily adjustable set pressure.
- Sealing disc is replaceable.
- Cap is tamper resistant (FRV-316) or lockable lever (FRV-316-LE).
- 1 to 12 bar with one spring.

## Options

- Bronze version (Refer FRV-PTFE & FRV-PTFE-LE range).
- Flanged version.
- Optional setting ranges:
  - 0.3 to 2 bar (metal sealing disc only.)
  - 11 to 20 bar (metal or PTFE sealing disc.)
  - 21 to 30 bar (metal sealing disc)

## Technical Data

Size Range: 15mm - 50mm

Spring Range: 1 - 12 bar

Temperature Range: -196 °C to +290 °C

Connections: BSP (standard)  
NPT or flanged (optional)

FACTORY ACCREDITED:



# FRV-316 & FRV-316-LE

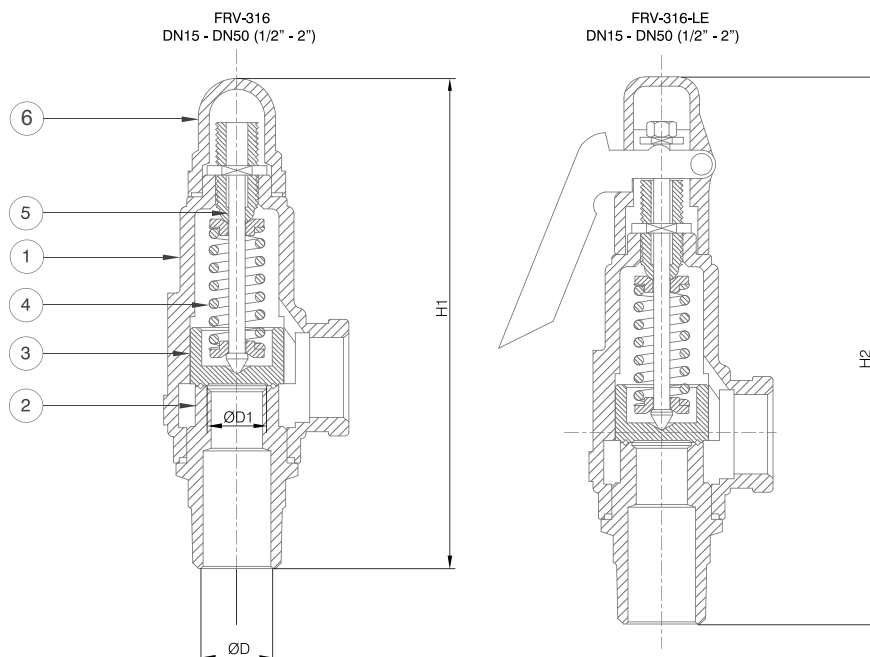
TELEPHONE:(03)9290-9813  
 INFO@FLUIDFLO.COM.AU  
 WWW.FLUIDFLO.COM.AU



## STAINLESS STEEL SAFETY RELIEF VALVES

### Materials & Parts List

NO.	DESCRIPTION	MATERIAL
1	Body	316SS
6	Cap	316SS
2	Seat	316SS
3	Sealing Disc	316SS+PTFE
4	Spring	SS304
5	Stem	SS316



### Dimensions (MM)

FRV-316 & FRV-316-LE											DISC SEAL SETTING RANGE (bar)					
DN	Inlet (Inch)	Outlet (Inch)	ØD	ØD1	H1 Fem	H2 Fem	H1 Male	H2 Male	Lift	FRV-316 Weight (Kg)	FRV-316-LE Weight (Kg)	Standard				
												PTFE	Metal	PTFE	Metal or PTFE	Metal
15	1/2	1	13	22	168	190	176	199	0.88	1.1	1.3	1-12	0.3-2	2-10	11-20	21-30
20	3/4	1	19	22	168	190	176	199	0.88	1.2	1.3	1-12	0.3-2	2-10	11-20	21-30
25	1	1	25	22	168	190	180	203	0.88	1.2	1.3	1-12	0.3-2	2-10	11-20	21-30
32	1 1/4	2	32	38	245	269	255	279	1.52	4.6	4.8	1-12	0.3-2	2-10	11-20	21-30
40	1 1/2	2	38	38	245	269	260	284	1.52	4.6	4.8	1-12	0.3-2	2-10	11-20	21-30
50	2	2	50	38	245	269	260	284	1.52	4.6	4.9	1-12	0.3-2	2-10	11-20	21-30

### Water Flowrate (L /min)

SIZE	BAR																			
	1	2	3	4	5	6	7	8	9	10	11	12	13	14	15	16	17	18	19	20
1/2"	24	33	41	47	53	58	62	67	71	74	78	82	85	88	91	94	97	100	103	105
3/4"	24	33	41	47	53	58	62	67	71	74	78	82	85	88	91	94	97	100	103	105
1"	24	33	41	47	53	58	62	67	71	74	78	82	85	88	91	94	97	100	103	105
1 1/4"	70	99	122	140	157	172	186	199	211	222	233	243	253	263	272	281	290	298	306	314
1 1/2"	70	99	122	140	157	172	186	199	211	222	233	243	253	263	272	281	290	298	306	314
2"	70	99	122	140	157	172	186	199	211	222	233	243	253	263	272	281	290	298	306	314

### Air Flowrate (L /min)

SIZE	BAR																			
	1	2	3	4	5	6	7	8	9	10	11	12	13	14	15	16	17	18	19	20
1/2"	1257	1923	2588	3239	3904	4570	5220	5886	6551	7202	7867	8533	9198	9849	10515	11180	11831	12496	13162	13812
3/4"	1257	1923	2588	3239	3904	4570	5220	5886	6551	7202	7867	8533	9198	9849	10515	11180	11831	12496	13162	13812
1"	1257	1923	2588	3239	3904	4570	5220	5886	6551	7202	7867	8533	9198	9849	10515	11180	11831	12496	13162	13812
1 1/4"	3771	5738	7705	9672	11653	13620	15587	17569	19536	21503	23484	25451	27418	29400	31366	33333	35315	37282	39249	41216
1 1/2"	3771	5738	7705	9672	11653	13620	15587	17569	19536	21503	23484	25451	27418	29400	31366	33333	35315	37282	39249	41216
2"	3771	5738	7705	9672	11653	13620	15587	17569	19536	21503	23484	25451	27418	29400	31366	33333	35315	37282	39249	41216