

FRV-PTFE & FRV-LE-PTFE

BRONZE SAFETY RELIEF VALVES

TELEPHONE(03)9290-9813
INFO@FLUIDFLO.COM.AU
WWW.FLUIDFLO.COM.AU



FRV-PTFE



FRV-PTFE DN65 & DN80
(2 1/2" & 3")



FRV-PTFE-LE

Features

- Serviceable sealing disc.
- PTFE disc seal for leak free seal.
- Easily set pressure adjustment
- Tamper resistant cap (FRV-PTFE) or lockable lever (FRV-PTFE-LE).
- Temperature range of -45 °C to +185 °C.

Options

- Stainless steel version (refer FRV-316 & FRV-316-LE range).
- Optional setting ranges:
 - 0.3 to 2 bar (metal sealing disc)
 - 11 to 20 bar (PTFE or metal sealing disc 15mm - 50mm)
 - 21 to 30 bar (metal sealing disc 15mm - 50mm FRV & FRV-L)

Technical Data

Size Range:	15mm - 50mm (BSP Male) 65mm - 80mm (BSP Female)
Spring Range:	1 - 12 ba
Temperature Range:	-45 °C to +185 °C
Connections:	BSP (standard) NPT or flanged (optional)

FACTORY ACCREDITED:



FRV-PTFE & FRV-LE-PTFE

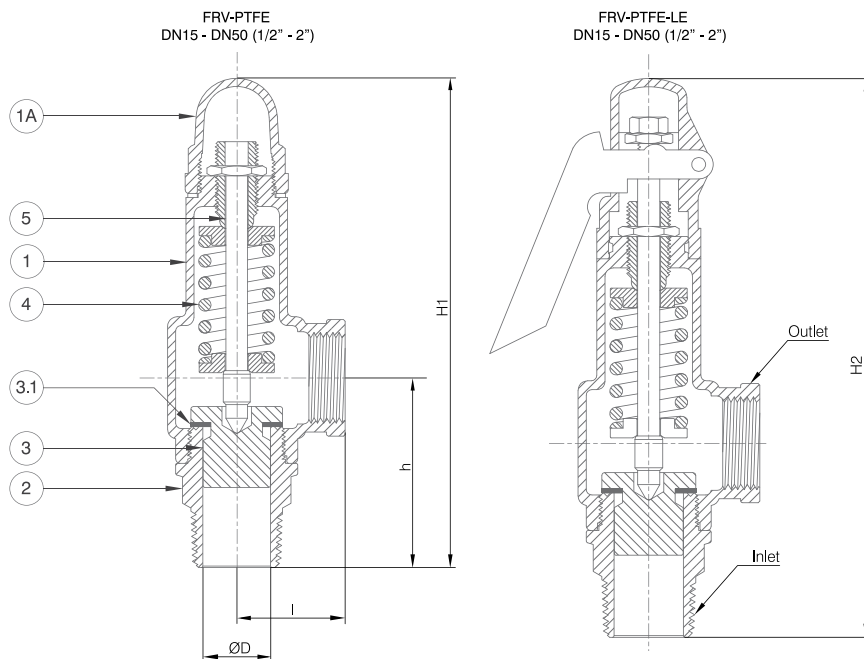
TELEPHONE (03)9290-9813
 INFO@FLUIDFLO.COM.AU
 WWW.FLUIDFLO.COM.AU



BRONZE SAFETY RELIEF VALVES

Materials & Parts List

NO.	DESCRIPTION	MATERIAL
1	Body	Cast Bronze
1A	Cap	Brass
2	Seat	Forged Brass (1/2" - 2") Cast Bronze (2 1/2" & 3")
3	Sealing Disc	Forged Brass
3.1	Disc Seal	PTFE (Metal option available)
4	Spring	Coated Spring Steel
5	Stem	Brass



Dimensions (MM)

FRV-PTFE & FRV-PTFE-LE											DISC SEAL SETTING RANGE (bar)			
DN	Inlet (Inch)	Outlet (Inch)	ØD	l	h	H1	H2	Lift	FRV Weight (Kg)	FRV-L Weight (Kg)	Standard PTFE		Optional PTFE or Metal Metal	
15 (Male)	1/2	1/2	13	29	50	138	161	0.52	0.5	0.6	1-12	0.3-2	11-20	21-30
20 (Male)	3/4	3/4	19	36	58	150	172	0.76	0.7	0.7	1-12	0.3-2	11-20	21-30
25 (Male)	1	1	25	40	70	180	202	1.00	1.1	1.2	1-12	0.3-2	11-20	21-30
32 (Male)	1 1/4	1 1/4	32	50	82	206	222	1.28	1.9	2.0	1-12	0.3-2	11-20	21-30
40 (Male)	1 1/2	1 1/2	38	54	93	231	246	1.52	2.4	2.4	1-12	0.3-2	11-20	21-30
50 (Male)	2	2	50	67	102	265	282	2.00	3.9	4.1	1-12	0.3-2	11-20	21-30
65 (Female)	2 1/2	3	75	92.5	90	345	323	3.00	12	12	1-12	0.3-2	—	—
80 (Female)	3	3	75	92.5	90	345	323	3.00	12	12	1-12	0.3-2	—	—

Water Flowrate (L /min)

SIZE	BAR																							
	1	2	3	4	5	6	7	8	9	10	11	12	13	14	15	16	17	18	19	20				
1/2"	8.2	11.6	14.2	16.4	18.4	20.1	21.7	23.2	24.7	26.0	27.3	28.5	29.6	30.8	31.8	32.9	33.9	34.9	35.8	36.8				
3/4"	17.6	24.8	30.4	35.1	39.3	43.0	46.5	49.7	52.7	55.5	58.2	60.8	63.3	65.7	68.0	70.2	72.4	74.5	76.5	78.5				
1"	30.4	43.0	52.6	60.8	68.0	74.5	80.4	86.0	91.2	96.1	100.8	105.3	109.6	113.7	117.7	121.6	125.3	129.0	132.5	135.9				
1 1/4"	49.8	70.4	86.3	99.6	111.4	122.0	131.8	140.9	149.4	157.5	165.2	172.5	179.6	186.3	192.9	199.2	205.3	211.3	217.1	222.7				
1 1/2"	70.2	99.3	121.6	140.5	157.0	172.0	185.8	198.6	210.7	222.1	232.9	243.3	253.2	262.8	272.0	280.9	289.6	297.9	306.1	314.1				
2"	121.6	171.9	210.6	243.2	271.9	297.8	321.7	343.9	364.7	384.5	403.2	421.2	438.4	454.9	470.9	486.3	501.3	515.8	530.0	543.7				
2 1/2" & 3"	273.6	386.9	473.8	547.1	611.7	670.1	723.8	773.8	820.7	865.1	907.3													

Air Blowout Capacity (L /min)

SIZE	BAR																							
	1	2	3	4	5	6	7	8	9	10	11	12	13	14	15	16	17	18	19	20				
1/2"	444	665	902	1139	1361	1597	1819	2056	2292	2514	2751	2972	3209	3446	3668	3904	4126	4363	4599	4821				
3/4"	946	1434	1923	2425	2913	3401	3904	4392	4880	5383	5871	6359	6862	7350	7838	8341	8829	9317	9820	10308				
1"	1627	2484	3342	4185	5043	5901	6744	7601	8459	9302	10160	11017	11875	12718	13576	14434	15277	16134	16992	17835				
1 1/4"	2662	4067	5472	6862	8267	9657	11062	12452	13857	15247	16652	18042	19447	20837	22242	23647	25037	26442	27832	29237				
1 1/2"	3771	5738	7705	9672	11653	13620	15587	17569	19536	21503	23484	25451	27418	29400	31366	33333	35315	37282	39249	41216				
2"	6522	9923	13339	16755	20172	23588	26989	30405	33821	37238	40654	44055	47471	50887	54303	57720	61136	64537	67953	71369				
2 1/2" & 3"	14655	22345	30021	37696	45386	53061	60736	68427	76102	83777	91467													