

**2 way ball valve M1** manual  
with position feedback



**General:**

- Valve body material: PVC-U
- Seal material: EPDM / FPM
- Ball seating joint: PTFE
- Dimensions: DN10 – DN80  
d16 – d110  
d3/8" – d4"
- Position feedback material: ABS

**Connector types:**

- Solvent socket DIN / ASTM
- Solvent spigot DIN
- Threaded socket BSP/NPT
- PE fusion socket DIN
- PE fusion spigot DIN
- Backing flange DIN
- Fix flange DIN / ANSI / JIS

**Operating pressure:**

- PVC-U DN10 – DN80 d110 PN16
- PVC-U DN10 - DN80 d110 Backing flange PN10

**Technical features:**

**Ball Valve**

- Silicone free
- Buttress thread
- Safety locking handle system
- Double axial gasket
- Floating ball
- Double sided blocked ball
- Adjustable ball seating joint
- Integrated bottom mounting stand
- Radial installation or removal
- Maintenance free

**Position feedback**

- Limit switch IP67
  - mechanical
    - Ag-Ni NO
    - Ag-Ni NC (on request)
    - Au NO (on request)
    - Au NC (on request)
  - inductive (on request)
    - PNP
    - NPN (on request)
  - Namur (on request)
- adjustable
- incl. stainless steel bolts
- incl. device plug

**Accessories:**

- Clamping / spacing element

**SAFETY LOCKABLE HANDLE SYSTEM**



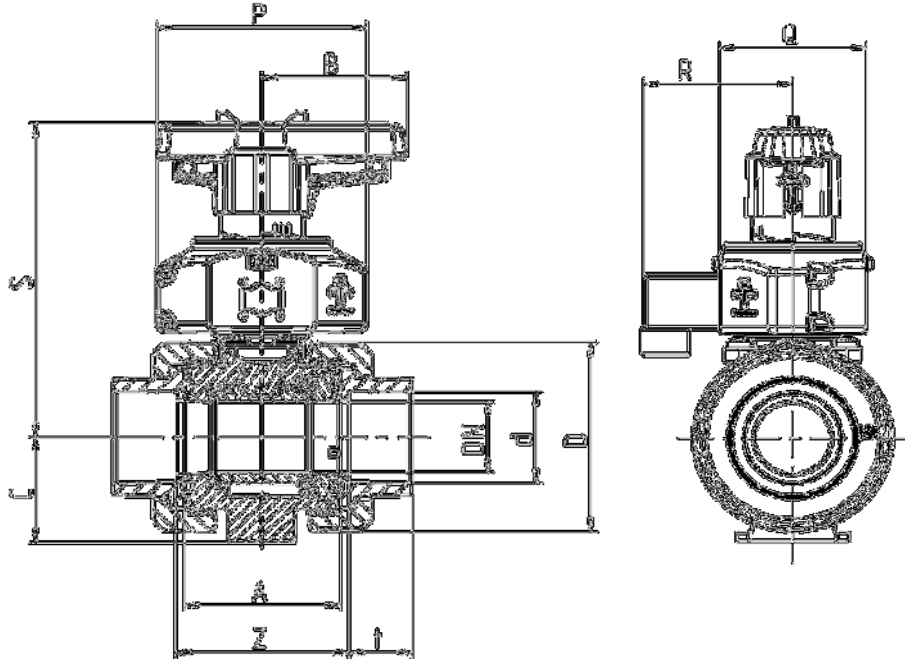
This document does not constitute a guarantee, it is for initial information purposes only. The product range is continually upgraded, the designs and types therefore only reflect the state of the art at the time of printing. Subject to technical modifications!

© Praher Plastics Austria GmbH DB/EN/DEEN/19/04/4:40 Subject to changes without prior notice!

**2 way ball valve M1** manual  
with position feedback



**Dimensions:**



**Connector type**  
PVC solvent socket

DN	10	15	20	25	32	40	50	65	80	80
d	16	20	25	32	40	50	63	75	90	110
A	45	45	53,5	54	62	78	87	111,5	135,5	135,5
B	39,5	39,5	51	51	63,5	72	84	110	132	132
C	33	33	40	43	51	56	64	85	100	100
D	55,5	55,5	62	70	84	101	115	149	182	182
P	98	98	102	102	105	105	105	116	116	116
Q	64	64	64	64	74	74	74	99	99	99
R	70	70	70	70	75	75	75	88	88	88
S	126	126	137	139,5	159,5	167	175,5	213	238	238
t	16	16,5	19,5	23	26,5	31,5	38,5	44,5	56,5	61
Z	51	50	59,5	60	68,5	86	98	122	152,5	162
PN	16	16	16	16	16	16	16	16	16	16

*dimensions in mm*

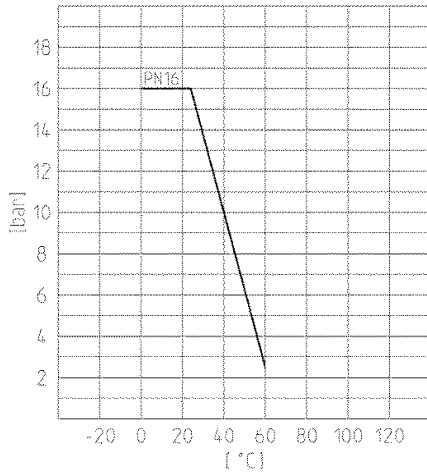
© Praher Plastics Austria GmbH DB/EN/DEEN/19/04/4/40 Subject to changes without prior notice!

## 2 way ball valve M1 manual with position feedback

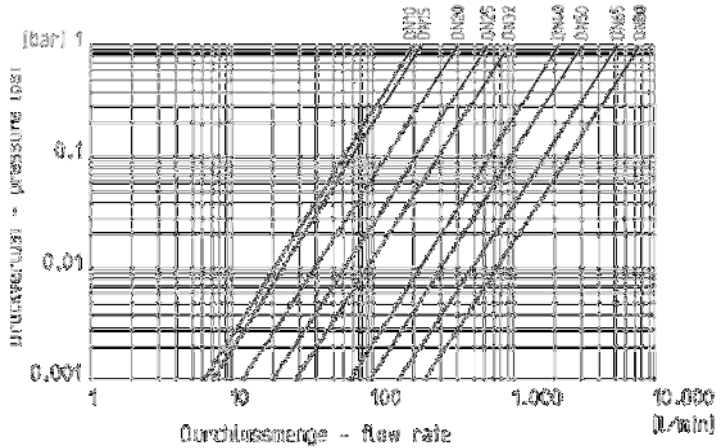


### Diagrams:

#### Pressure – Temperature



#### Pressure loss

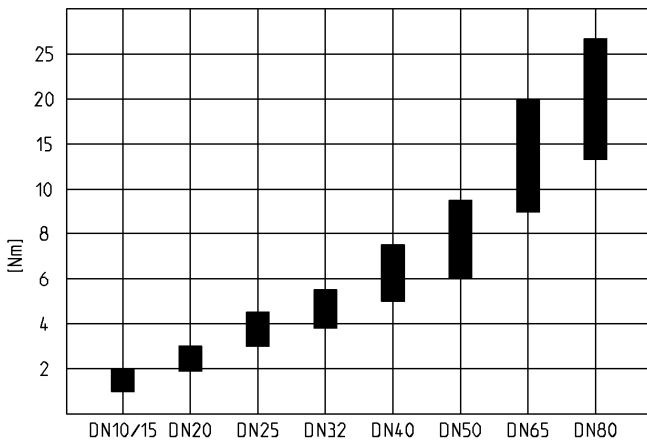


#### Cv value table

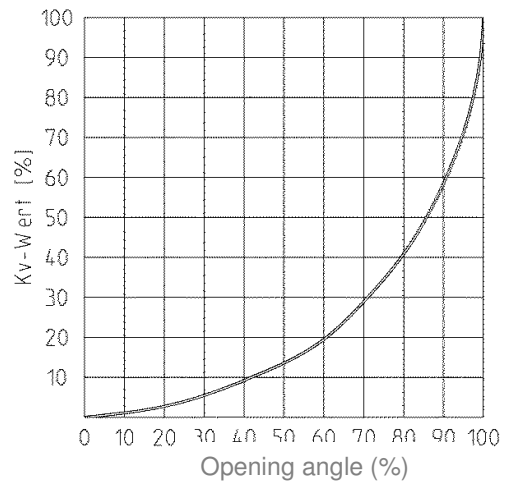
Pressure loss	DN10 d16	DN15 d20	DN20 d25	DN25 d32	DN32 d40	DN40 d50	DN50 d63	DN65 d75	DN80 d90	DN80 d110
0,001 bar	6,2	7,1	12,6	19,9	28,4	67	94,8	162,8	240,3	240,3
1 bar	198	225	400	630	900	2120	3000	5150	7600	7600

l/min (PN16 Pipe)

#### Torque



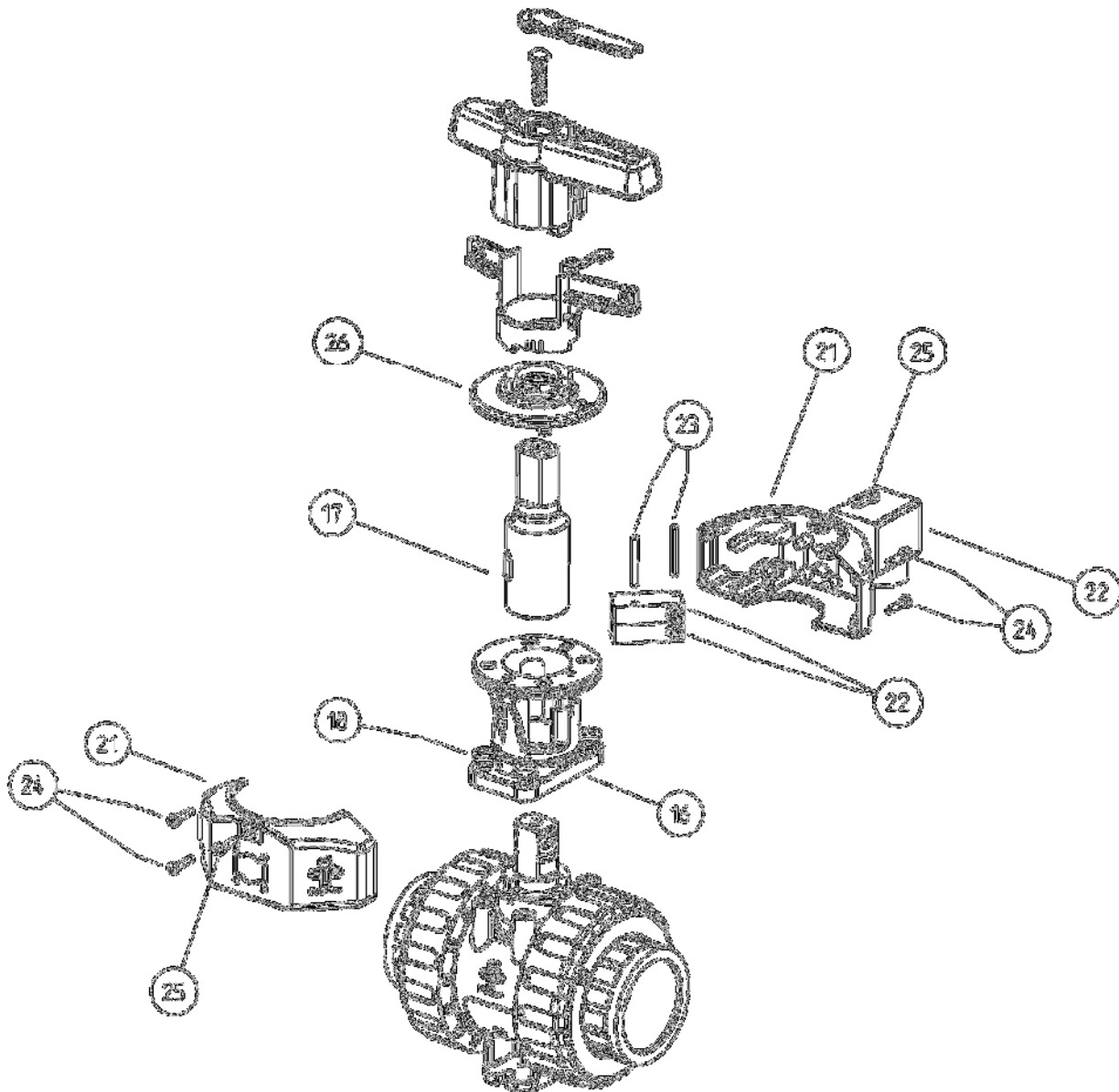
#### Flow characteristics



## 2 way ball valve M1 manual with position feedback

### Exploded drawing:

- |                            |   |
|----------------------------|---|
| 16. Bracket (PA-GF)        | 23. Pin   |
| 17. Coupling shaft (PA-GF) | 24. Screw   |
| 18. Screw                  | 25. Locking screw for adjusting position feedback |
| 21. Half-shells (ABS)      | 26. Cover   |
| 22. Limit switch           |   |



**Technical data position feedback:**

Limit switch mechanical		
Type	(Ag-Ni) NO/NC*	(Au) NO*/NC*
Voltage max.	15-250V AC (15-30V DC)	5-250V AC (5-30V DC)
Current max.	100mA-5A	1mA-3A
Protection limit switch	IP67	
Protection DIN-plug	IP65	
Ambient temperature	Operating: -10°C bis +50°C	
Electrical wiring	<b>NO</b> 	<b>NC</b> 

\* on request

Limit switch inductive		
Type	NPN*/PNP	NAMUR* EMV acc. IEC / EN 60947-5-2:2004; NE 21 DIN EN 60947-5-6
Voltage max.	10-30V DC	8V DC
Current max.	0-100mA	NAMUR intrinsically safe
Protection limit switch	IP67	
Protection DIN-plug	IP65	
Ambient temperature	Operating: -10°C bis +50°C	
Electrical wiring		

\* on request

© Praher Plastics Austria GmbH DB/EN/DEEN/119/04/440 Subject to changes without prior notice!

## 2 way ball valve M1 manual with position feedback

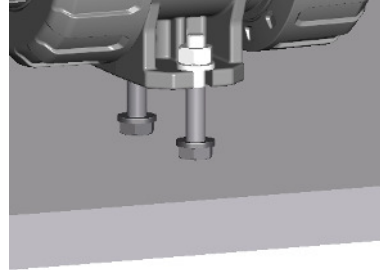


### **Bottom mounting stand – mounting possibilities:**

- Assembly rail



- Plate



- Masonry / Concrete
  - Hanger screw and dowel required



### **PLS – Praher Labeling System**



#### **Technical features:**

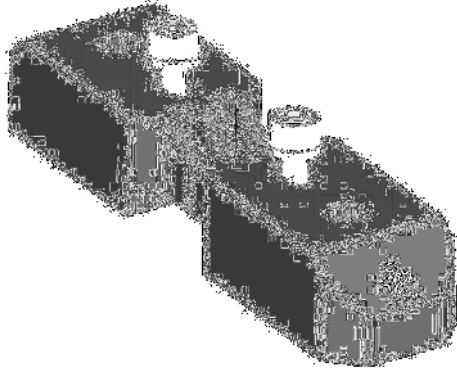
- Clear and durable label
- Convenient marking by touch-up pen or laser engraving
- Standard version available with yellow plate; other colors available in red, blue and green
- Simple and easy to change
- Corrosion-resistant
- No effect on the function of the handle

**2 way ball valve M1** manual  
with position feedback



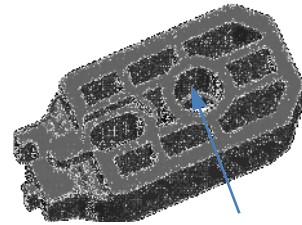
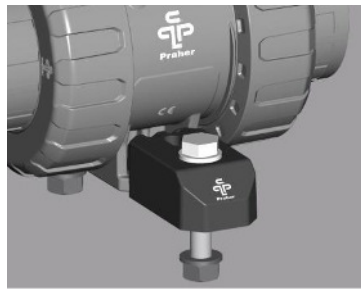
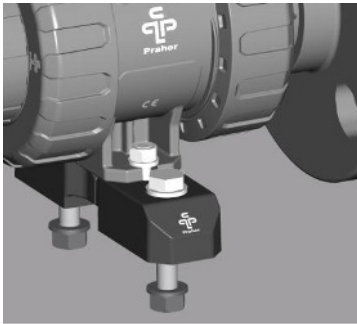
**Accessories**

**Clamping / spacing element:**



**Technical features:**

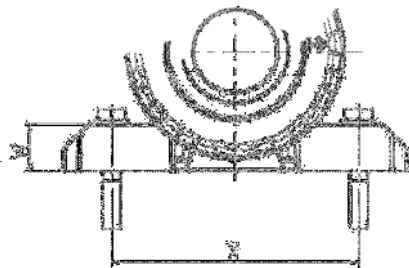
- Using for fixing as:
  - Clamping element
    - floors, walls, ceilings
    - plate
  - Spacing element  
*(screws additionally necessary)*
    - for flange connection
- Bore for threaded bush



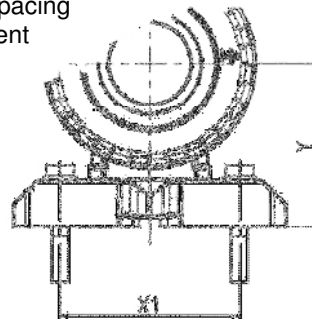
Bore for threaded bush

**Dimensions:**

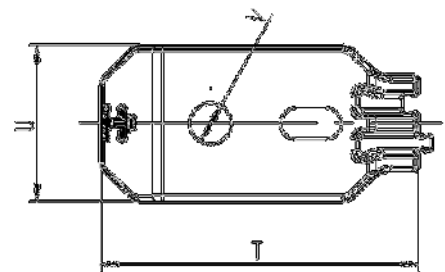
Use as clamping element



Use as spacing element



DN	10	15	20	25	32	40	50
d	16	20	25	32	40	50	63
T	54	54	54	65	65	65	65
U	25	25	25	32	32	32	32
V	6,5	6,5	6,5	8,5	8,5	8,5	8,5
W	16	16	16	22	22	22	22
X	90	90	94	107	109	114	119
X1	70	70	70	85	85	85	85
Y	49	49	56	65	73	78	86



Dimensions in mm