

Product
6-way backwash valve



General:

- Body material: ABS / ASA-GF
- Seals: TPE + NBR
- Types: Side Mount (SM)
Top Mount (TM)
- Dimensions:
 - SM 1 ½" / 2" / 3"
 - TM 1 ½" / 2"
- Color:
 - ABS: white / black
 - ASA-GF: nature

Pipe connection Side Mount:

- 1 ½" valve
 - Solvent socket d50 metric
 - Thread R1 ½" BSP
 - Thread R1 ½" NPT
- 2" valve
 - Solvent Socket d63 metric
 - Thread R2" BSP
 - Thread R2" NPT
- 3" valve
 - Solvent socket d90 metric
 - Thread R3" BSP

Flange connection Top Mount

- 6" BS Thread flange
- Clamping flange
- Screw flange

Base connection Top Mount

- 1 ½" (metric / imperial): 50mm / 48,4mm
- 2" (metric / imperial): 63mm / 60,325mm

Operating pressure:

- ABS:**
SM 1 ½", 2", 3" / TM 1 ½"; 2" 3,5 bar (20C°)
- ASA-GF:**
SM 1 ½", 2" 6 bar (20C°)
SM 3" 5 bar (20C°)

Features:

- Automatization possible (with [®]AquaStar)
- with laser lettering several languages for positions possible

Accessories:

- Pipe system for Side Mount
- Clamp ring for Top Mount
- Praher Plastics adapter unions
- [®]AquaStar

This document does not constitute a guarantee, it is for initial information purposes only. The product range is constantly upgraded therefore the designs and types only reflect the state of the art at the time of printing.



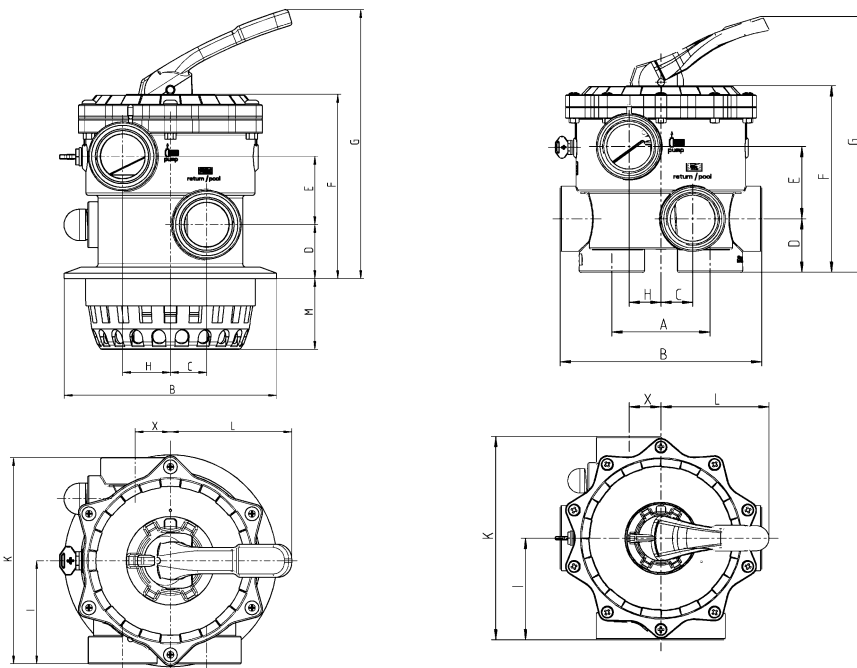
Product
6-way backwash valve



Dimensions:

Top Mount

Side Mount



	Side Mount						Top Mount	
	1 1/2"		2"		3"		1 1/2"	2"
	ABS	ASA-GF	ABS	ASA-GF	ABS	ASA-GF	ABS	ABS
A	99		110		170		130	125
B	180		227		329		<i>see flange connection</i>	<i>see flange connection</i>
C	31,5		36		50		31,5	36
D	48,5		60		85,5		38	43
E	60		81		110		59,5	81
F	165		210		304		235,5	280
G	247		296		434		245	292
H	41,5		36		50		41,5	36
I	87,5		115		165		90	114,5
K	175		230		330		180	229
L	135,5		135,5		206		135,5	135,5
M	/		/		/		46	57
X	30		36		50		30	36

Dimensions in mm



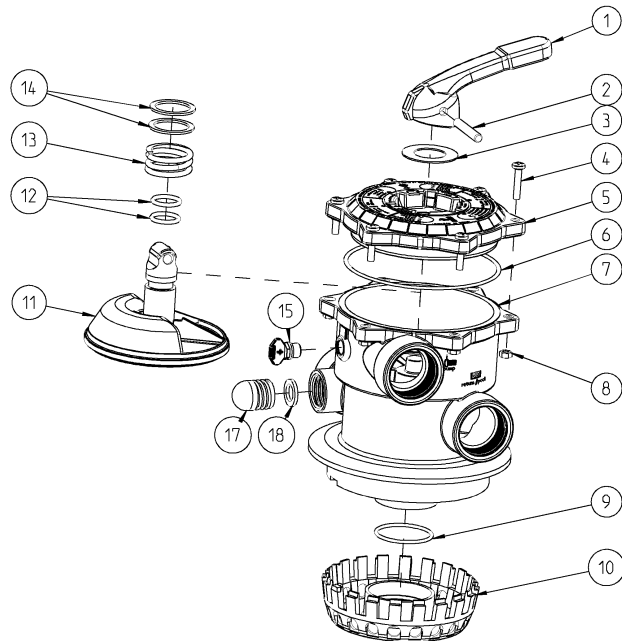
Product

6-way backwash valve

Exploded drawing:

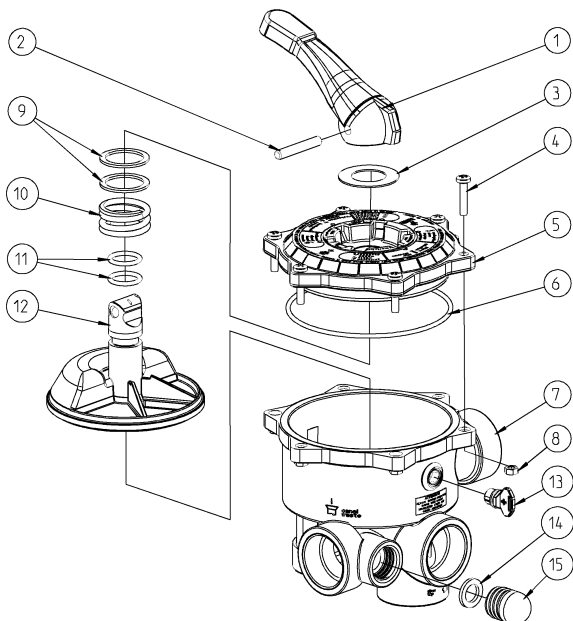
Top Mount:

1. Handle
2. Handle polt
3. POM-Washer
4. Screw
5. Cover
6. O-Ring
7. Body
8. Screw nut
9. O-Ring
10. Base
11. Valve plate
12. O-Ring
13. Spring
14. POM-Washer
15. Air bleeder plug + O-Ring
17. Sight glass
18. Seal flat



Side Mount:

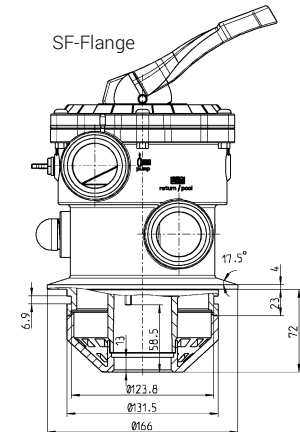
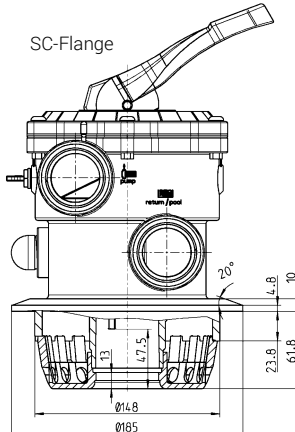
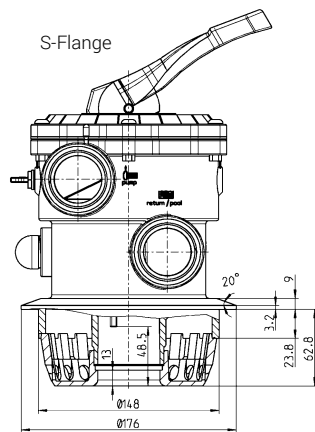
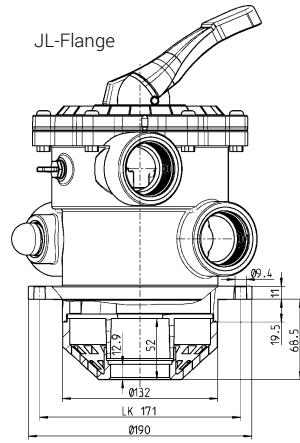
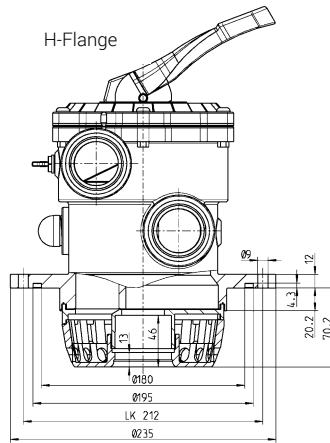
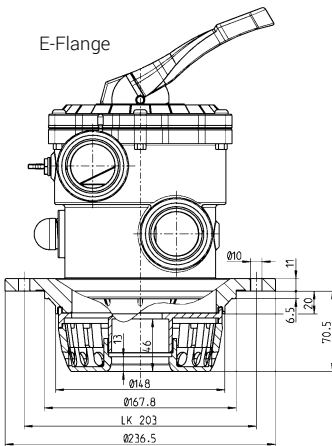
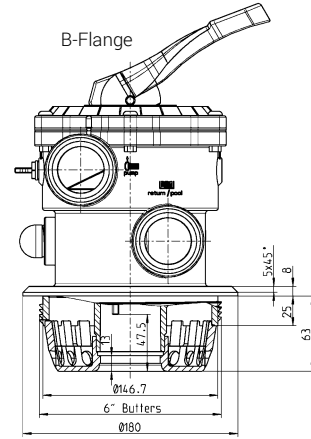
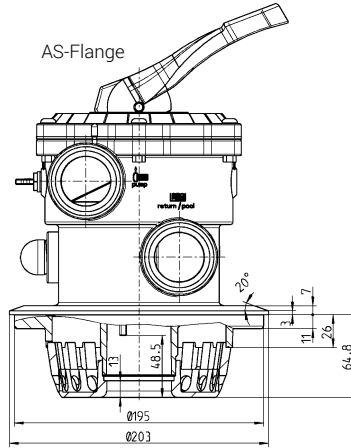
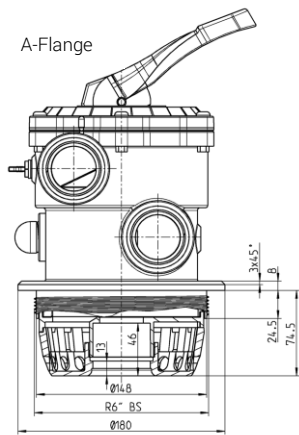
1. Handle
2. Handle polt
3. POM-Washer
4. Screw
5. Cover
6. O-Ring
7. Body
8. Screw nut
9. POM-Washer
10. Spring
11. O-Rings
12. Valve plate
13. Air bleeder plug + O-Ring
14. Seal flat
15. Sight glass



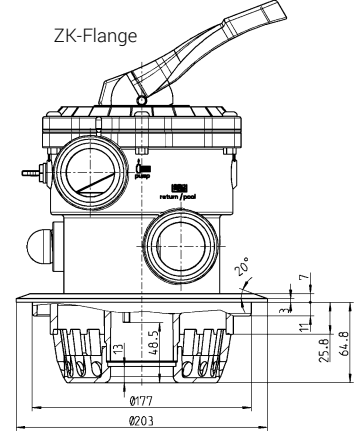
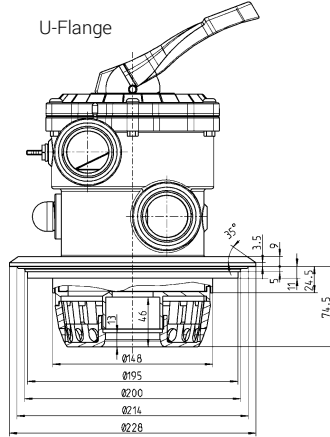
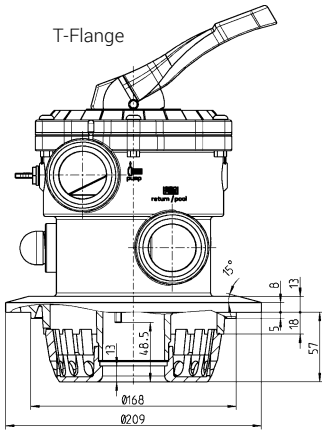
Product
6-way backwash valve



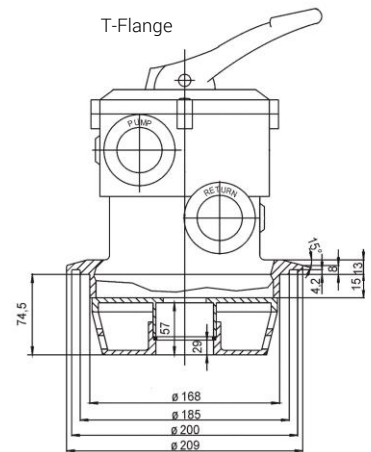
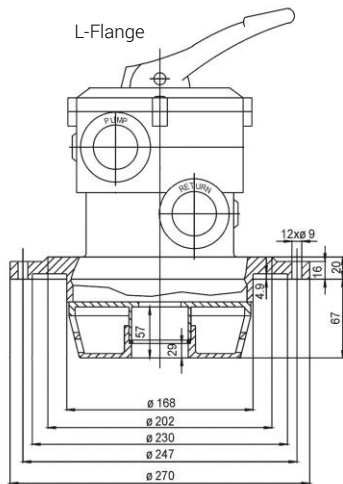
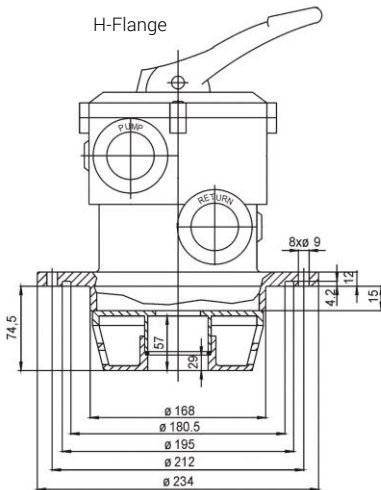
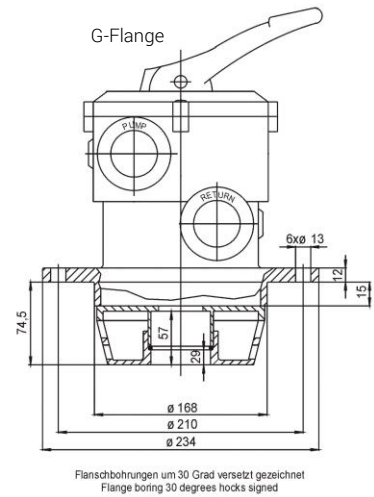
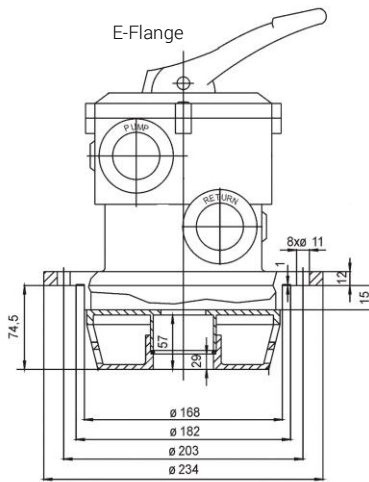
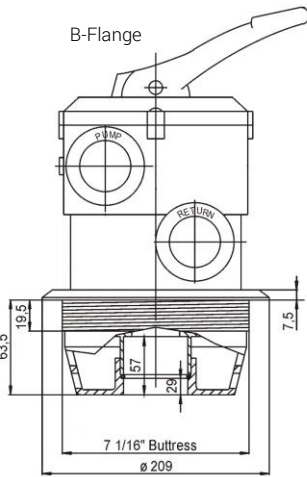
Flange connection Top Mount 1 1/2":



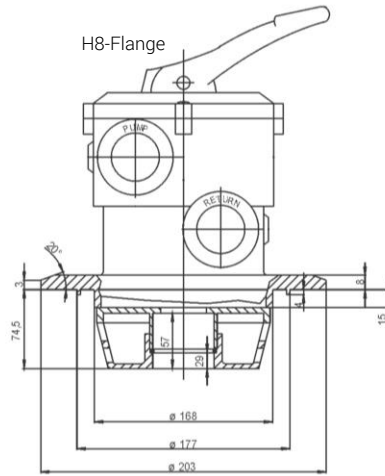
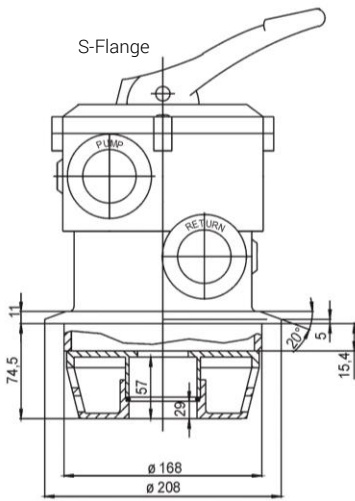
Product
6-way backwash valve



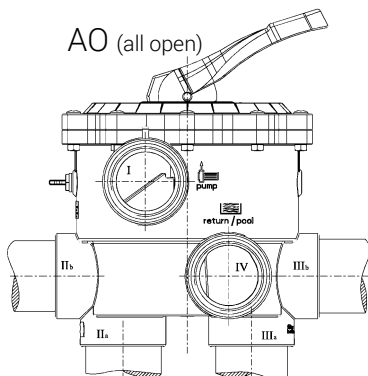
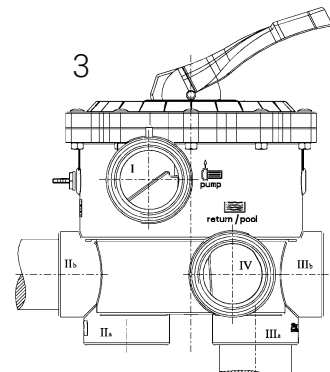
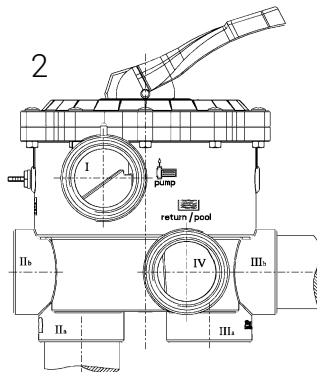
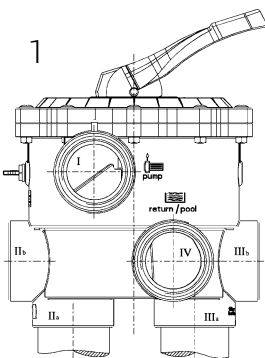
Flange connection Top Mount 2":



Product
6-way backwash valve



Pipe connection Side Mount 1 1/2", 2" and 3":

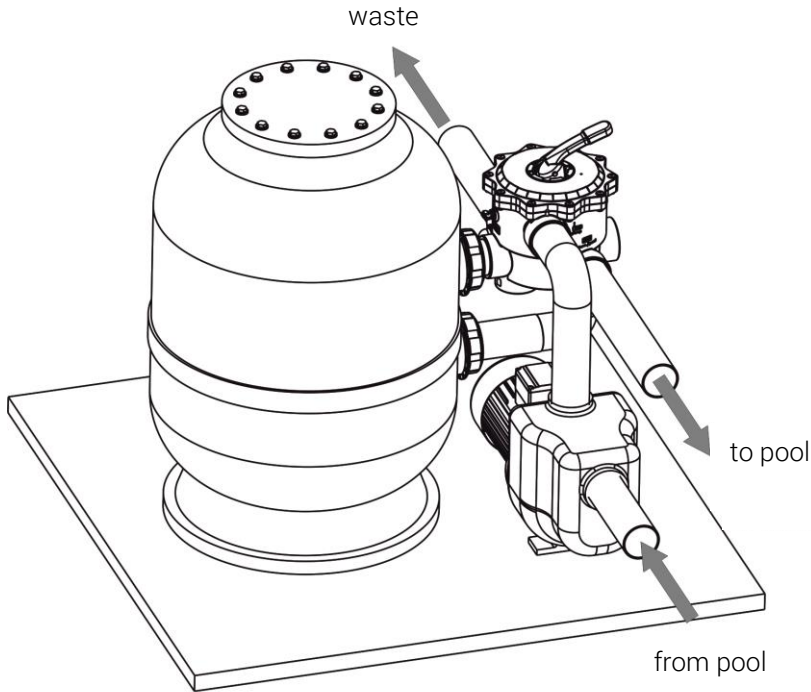


Nr.	Bezeichnung
I	from pump
II	to filter
III	from filter
IV	to pool
V	to waste

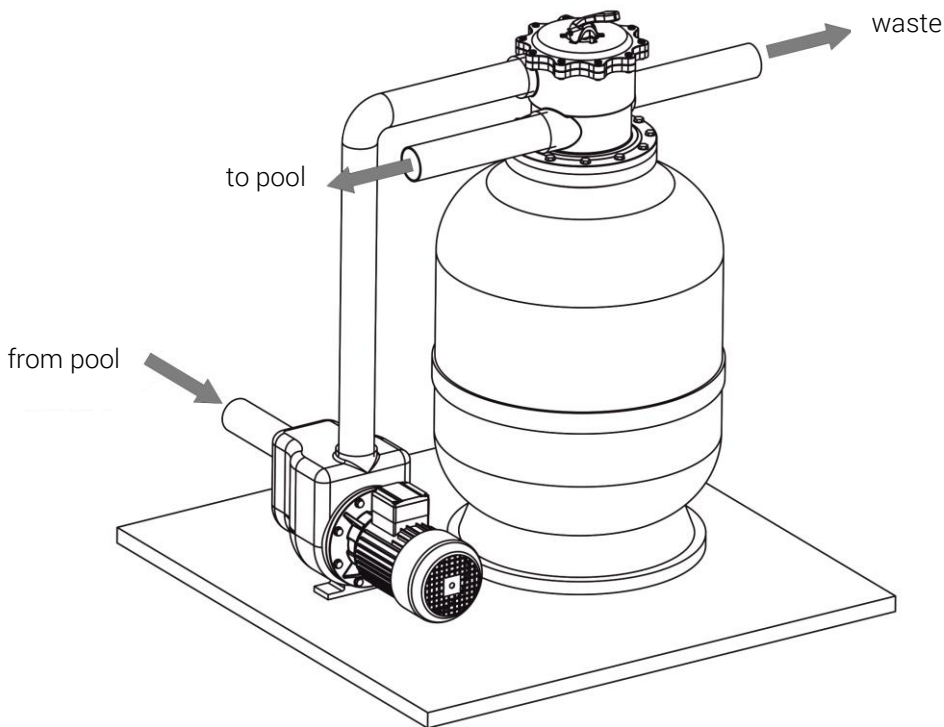


Product
6-way backwash valve

Scheme Side Mount:



Scheme Top Mount:



Product
6-way backwash valve



Function- and installationscheme:

<p>1. Filter Filtration of medium</p> <p><i>Loop: pool – pump – valve (to filter) – filter – valve (from filter) – pool</i></p>	
<p>2. Backwash Cleaning of filter medium in upstream</p> <p><i>Loop: pool – pump – valve (from filter) – filter – valve (to filter) – pool</i></p>	
<p>3. Rinse Cleaning of filter medium after backwash</p> <p><i>Loop: pool – pump – valve (to filter) – filter – valve (from filter) – waste</i></p>	



Product
6-way backwash valve



<p>4. Waste Drainage of pool with pump</p> <p><i>Loop: pool – pump – valve – waste</i></p>	<p style="text-align: center;">to filter</p> <p style="text-align: center;">from filter</p>
<p>5. Recirculation Recirculation of fluid without filter (by pass filter)</p> <p><i>Loop: pool – pump – valve – pool</i></p>	<p style="text-align: center;">to filter</p> <p style="text-align: center;">from filter</p>
<p>6. Closed No circulation! Do not operate the pump!</p> <p><i>Loop: pool – pump – valve</i></p>	<p style="text-align: center;">to filter</p> <p style="text-align: center;">from filter</p>
<p>7. Winter position Valve plate is lifted; gasket is discharged</p>	

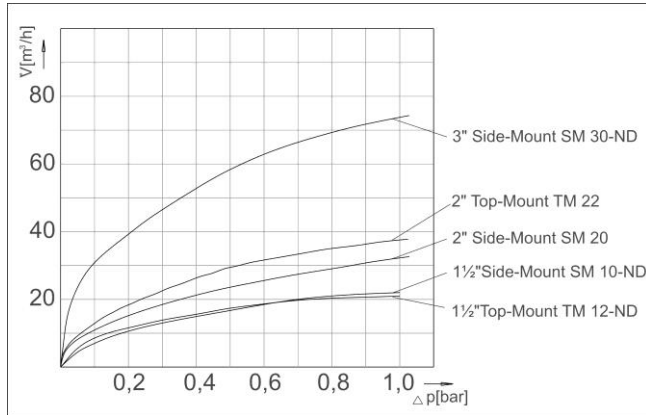


Product

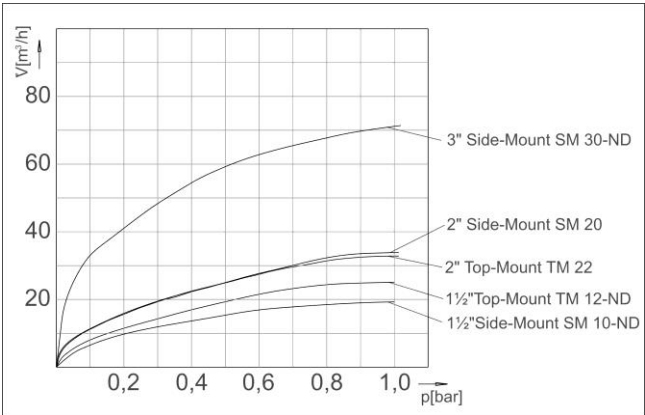
6-way backwash valve

Diagrams:

Pressure loss diagram filter:



Pressure loss diagram backwash



www.fluidflo.com.au

info@fluidflo.com.au

Tel: (03) 9290 9813

