

3 way ball valve S4 hand operated



Symbolfoto

General:

- Material: PVC-U / PP / PVDF
- Sealing material: EPDM / FPM
- Ball seating joint: PTFE
- Ball: T- oder L-Bohrung
- Dimensions:
 - DN10 (DN15 / d16 / d3/8")
 - DN15 d20 d1/2"
 - DN20 (DN25 / d25 / d3/4")
 - DN25 d32 d1"
 - DN32 (DN40 / d40 / d1 1/4")
 - DN40 d50 d1 1/2"
 - DN50 d63 d2"

Connector types:

- Solvent socket DIN / ASTM / JIS
PVC
- Solvent spigot DIN
PVC
- Threaded socket BSP / NPT
PVC / PP
- Fusion socket DIN
PP / PVDF
- Fusion spigot DIN
PP / PVDF / PE
- Backing flange DIN
PVC

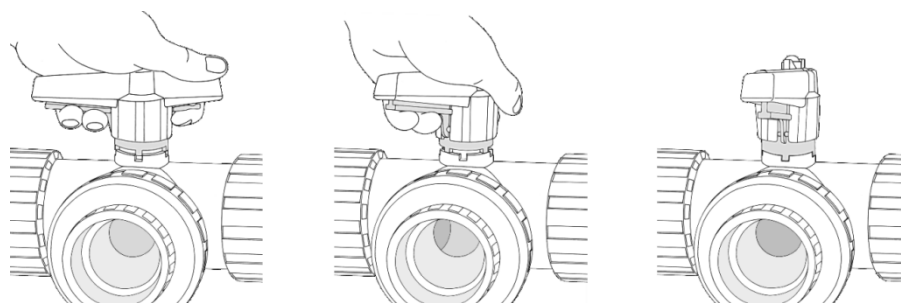
Operating pressure:

- PVC / PVDF PN16
- PP PN10

Technical features:

- Safety locking handle system
- Radial installation and removal
- Double sided blocked ball
- Machined ball
- Full section area of flow (nominal bore)
- Floating ball

Safety locking handle system

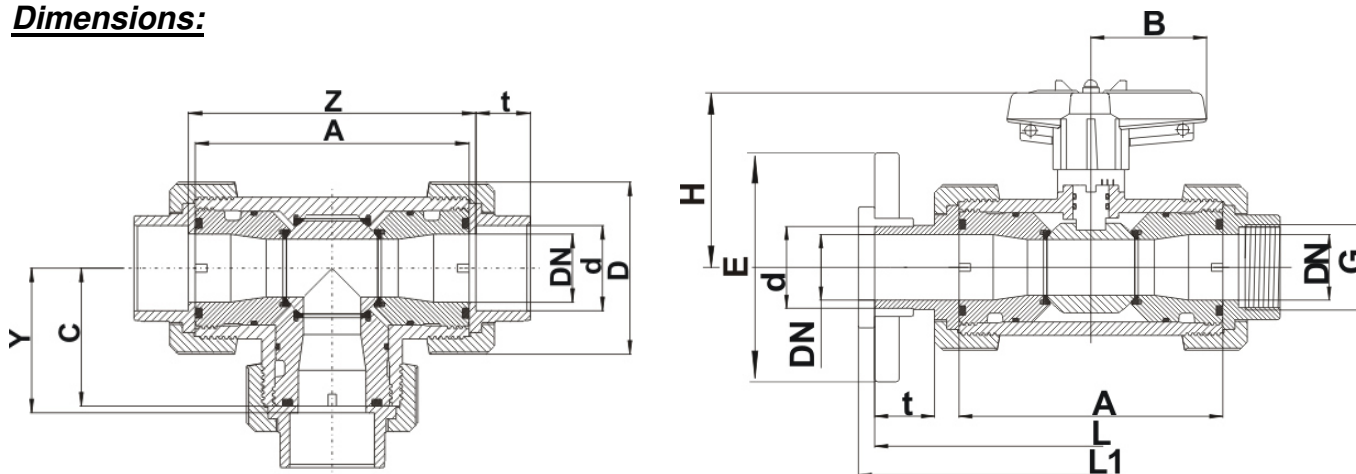


This document does not constitute a guarantee, it is for initial information purpose only. The product range is continually upgraded, the designs and types therefore only reflect the state of the art at the time of printing. Subject to technical modifications!

3 way ball valve S4 hand operated



Dimensions:



PVC-U

Connector types

PVC solvent socket / solvent spigot / threaded socket / backing flange

PE fusion socket

DN	10	15	20	25	32	40	50
d	16	20	25	32	40	50	63
G_{TSO}¹	3/8"	1/2"	3/4"	1"	1 1/4"	1 1/2"	2"
A	100	100	120	120	162	162	181
B	40	40	51,5	51,5	73	73	85
C	50	50	60	60	81	81	90,5
D	53	53	70	70	101	101	124,5
H	72	72	81,5	81,5	107,5	107,5	116,5
t_{SSO}² / SSP³	16,5	16,5	20	22,5	27,5	31,5	38,5
t_{FSP PE}⁴	13	14,5	-	18,5	-	29	31
E_{BF}⁵	90	95	-	115	-	150	165
L_{SSO}² / TSO¹	138	138	166	172	224	234	269
L_{SSP}³	153	163	-	200	-	261	295
L_{PE FSP}⁴	150	160	-	198	-	246	269
L1_{BF}⁵	159	169	-	206	-	267	301
Y	53	53	63	63	84,5	85,5	96
Z	106	106	126	126	169	171	192
PN	16	16	16	16	16	16	16
PN_{BF}⁵ PE⁴	10	10	10	10	10	10	10

dimensions in mm

¹ TSO = threaded socket
² SSO = Klebemuffe
³ SSP = Klebestutzen
⁴ FSP = fusion socket PE

⁵ BF = backing flange
 - = currently not realised

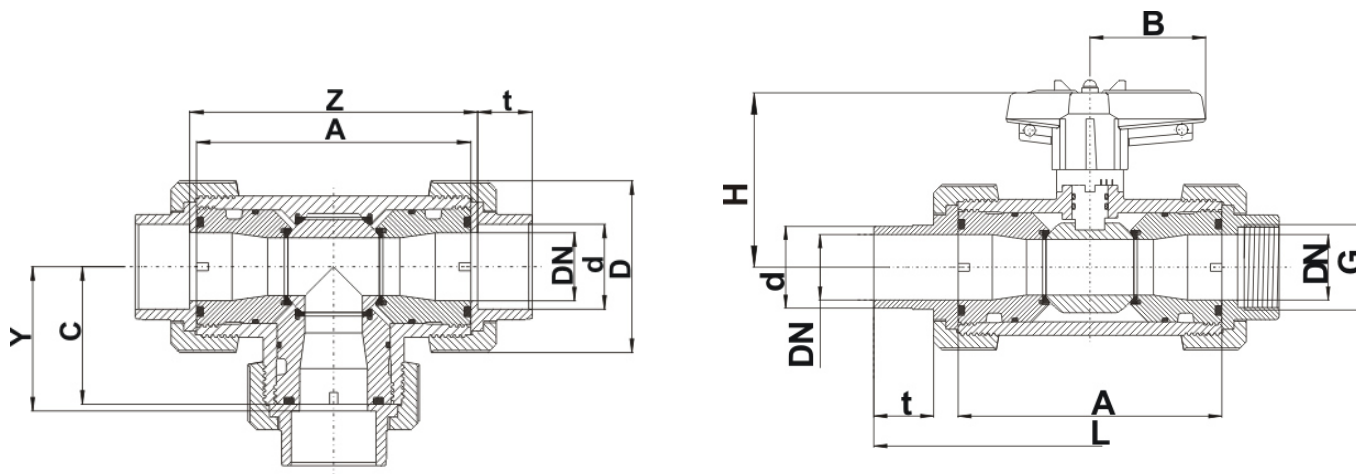


www.fluidflo.com.au
 info@fluidflo.com.au

Tel: (03) 9290-9813



3 way ball valve S4 hand operated



PP

Connector types

PP fusion socket / fusion spigot / threaded socket

DN	10	15	20	25	32	40	50
d	16	20	25	32	40	50	63
G ^{GM1}	3/8"	1/2"	3/4"	1"	1 1/4"	1 1/2"	2"
A	98	98	118	118	159	159	177
B	40	40	51,5	51,5	73	73	85
C	49	49	59	59	79,5	79,5	88,5
D	53	53	71	71	100	100	120,5
H	72	72	81,5	81,5	107,5	107,5	116,5
t _{min} ^{FSO²/FSP³}	13	14,5	16,5	18	20,5	23,5	27,5
L ^{FSO²}	136	136	163	168	220	229	263
L ^{FSP³}	150	160	190	196	247	256	289
L ^{TSO¹}	136	136	163	168	220	229	263
Y	55	53,5	65,5	66	89,5	91	104
Z	110	107	131	132	179	182	208
PN	10	10	10	10	10	10	10

dimensions in mm

- ¹ TSO = threaded socket
- ² FSO = fusion socket
- ³ FSP = fusion spigot
- = currently not realised

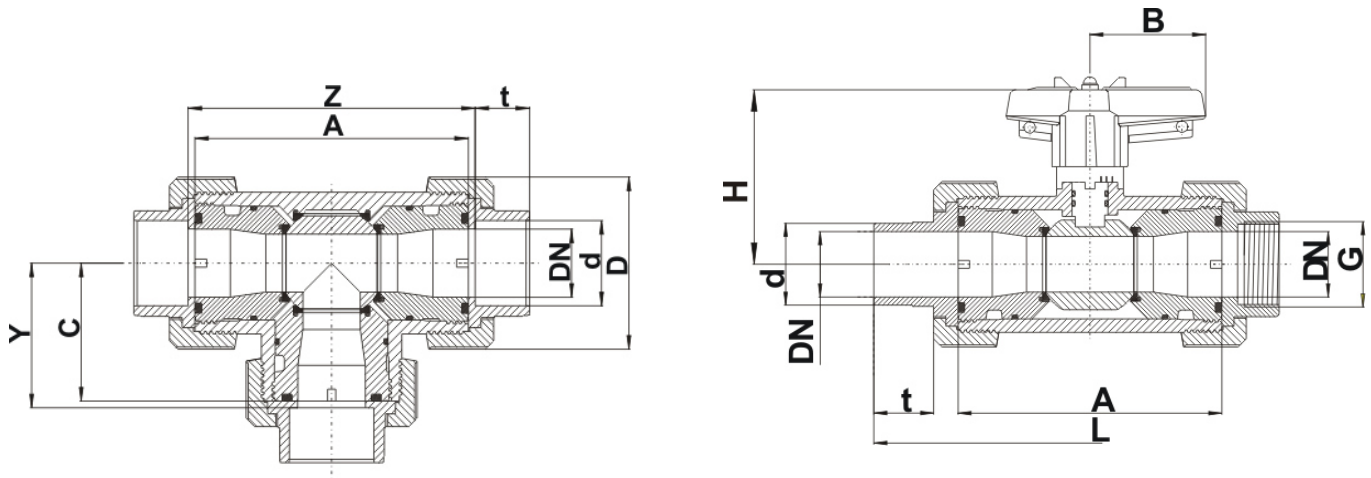


www.fluidflo.com.au
info@fluidflo.com.au

Tel: (03) 9290-9813



3 way ball valve S4 hand operated



PVDF

Connector types

PVDF fusion socket / fusion spigot / threaded socket

DN	10	15	20	25	32	40	50
d	16	20	25	32	40	50	63
G ^{TSO} ¹	3/8"	1/2"	3/4"	1"	1 1/4"	1 1/2"	2"
A	98	98	117	117	158	158	176
B	40	40	51,5	51,5	73	73	85
C	49	49	59	59	79	79	88
D	52,5	52,5	70	70	98,5	98,5	118
H	72	72	81,5	81,5	107,5	107,5	116,5
t _{min} ^{FSP} ² / ^{FSP} ³	13	14,5	16,5	18	20,5	23,5	27,5
L ^{FSO} ²	136	136	162	167	219	228	262
L ^{FSP} ³	150	160	190	196	247	256	289
L ^{TSO} ¹	136	136	-	168	-	228	262
Y	55	53,5	65,5	66	89	90,5	103,5
Z	110	107	130	131	178	181	207
PN	16	16	16	16	16	16	16

dimensions in mm

- ¹ TSO = threaded socket
- ² FSO = fusion socket
- ³ FSP = fusion spigot
- = currently not realised



www.fluidflo.com.au
info@fluidflo.com.au

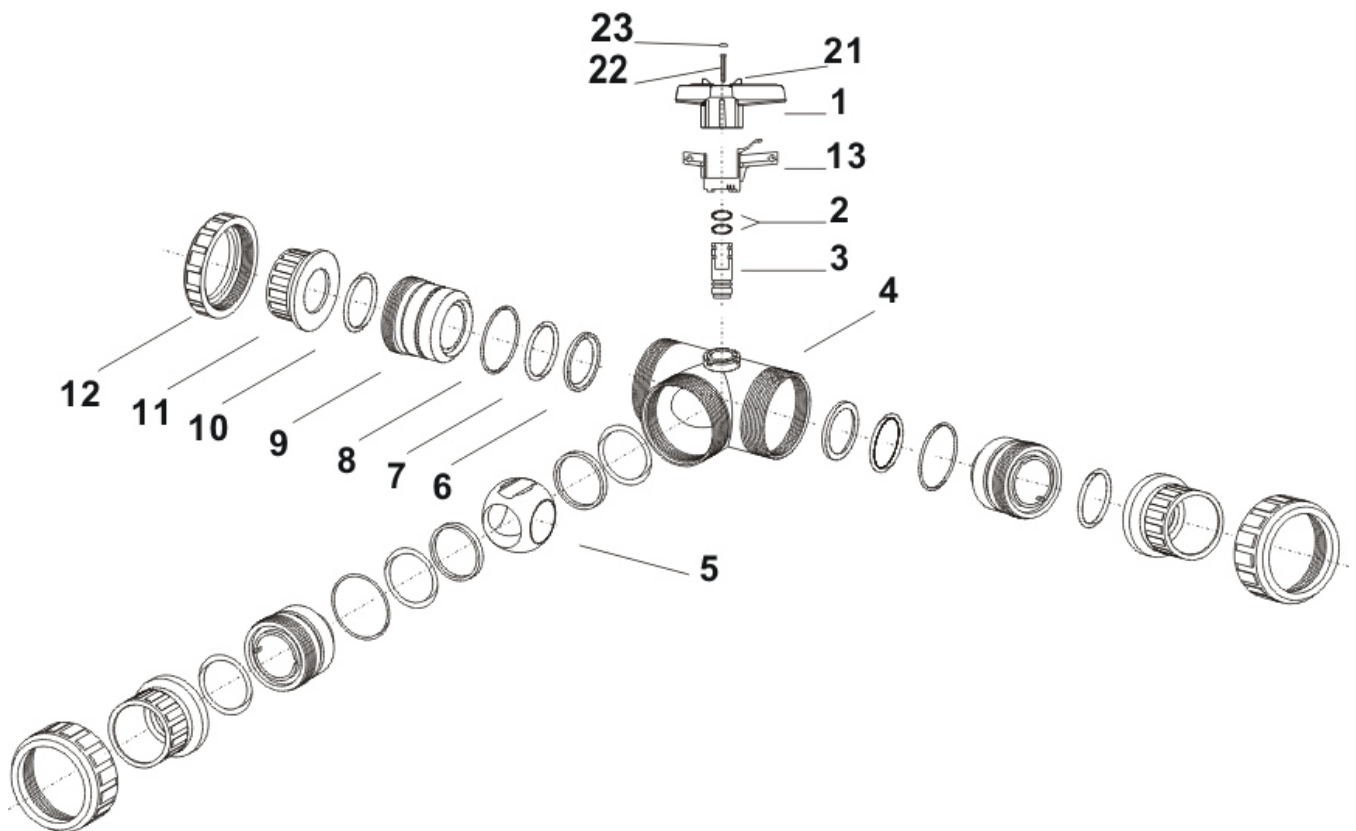
Tel: (03) 9290-9813



3 way ball valve S4 hand operated

Exploded drawing:

- | | |
|-----------------------------------|--|
| 01. Handle | 12. Union nut |
| 02. O-Ring | 13. Spring loaded locking sleeve |
| 03. Shaft | 21. Stub tenon for opening thrust collar |
| 04. Body | 22. Screw |
| 05. Ball „L“ or „T“ | 23. PLS-labeling insert |
| 06. Ball seating joint | |
| 07. O-Ring | |
| 08. O-Ring | |
| 09. Thrust collar | |
| 10. O-Ring | |
| 11. Connector types | |
| solvent socket / -spigot | |
| fusion socket /-spigot | |
| threaded socket | |
| flange adapter and backing flange | |

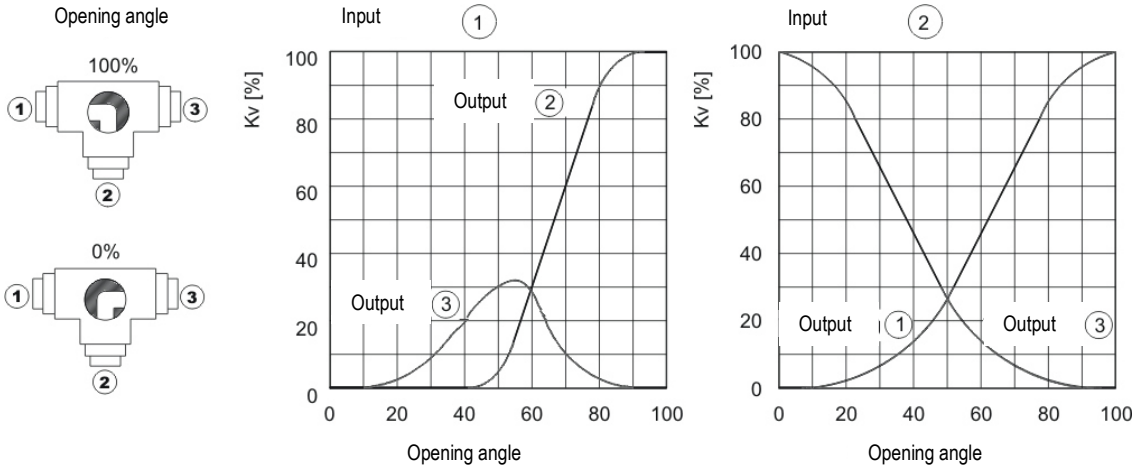


3 way ball valve S4 hand operated

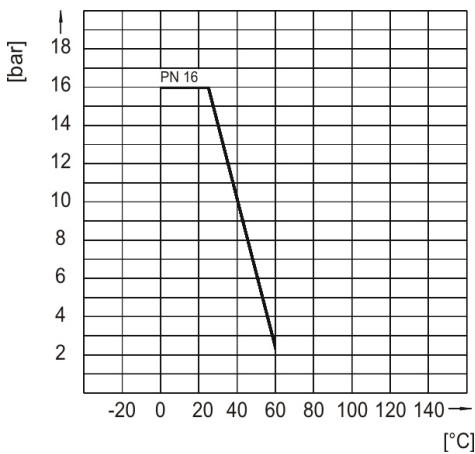


Diagrams:

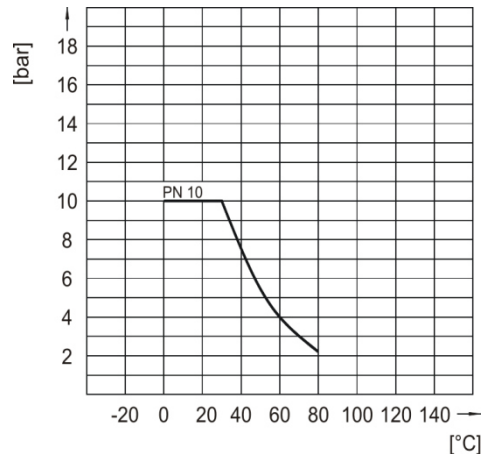
Flow characteristics



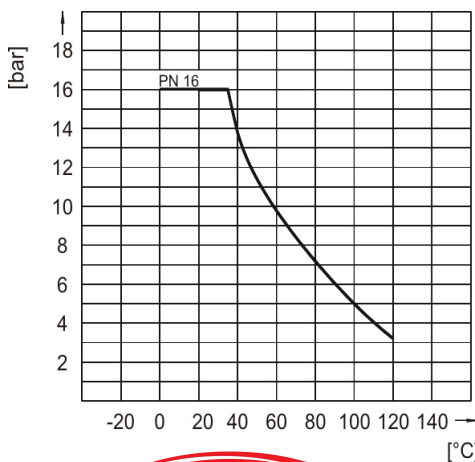
Pressure – temperatur – PVC-U



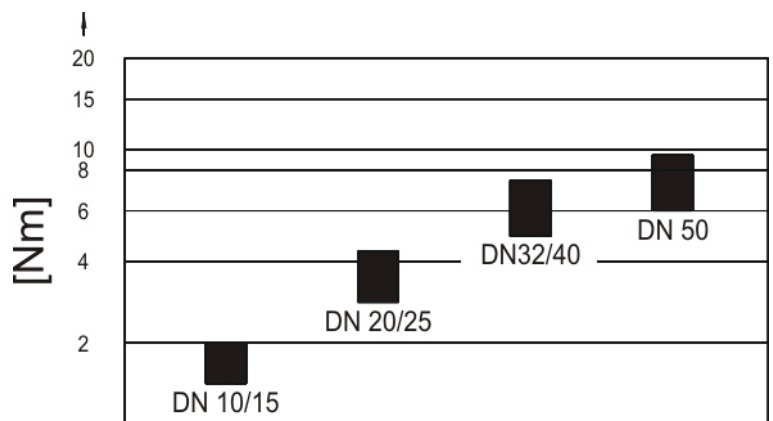
Pressure – temperatur – PP



Pressure – temperatur – PVDF



Torque



www.fluidflo.com.au
info@fluidflo.com.au

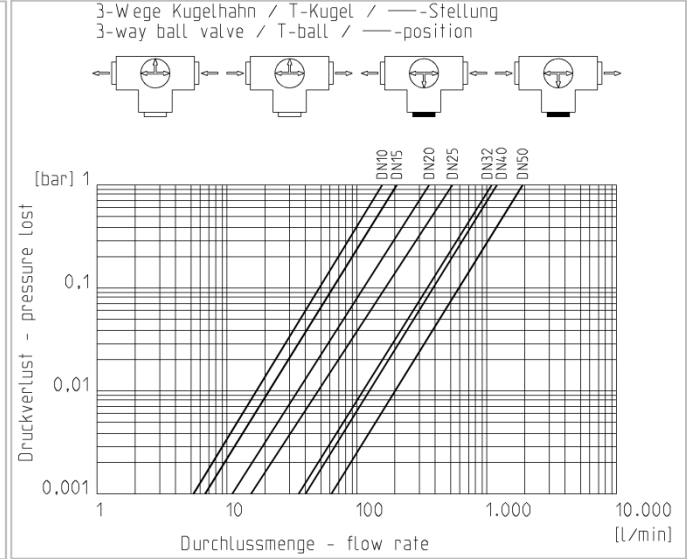
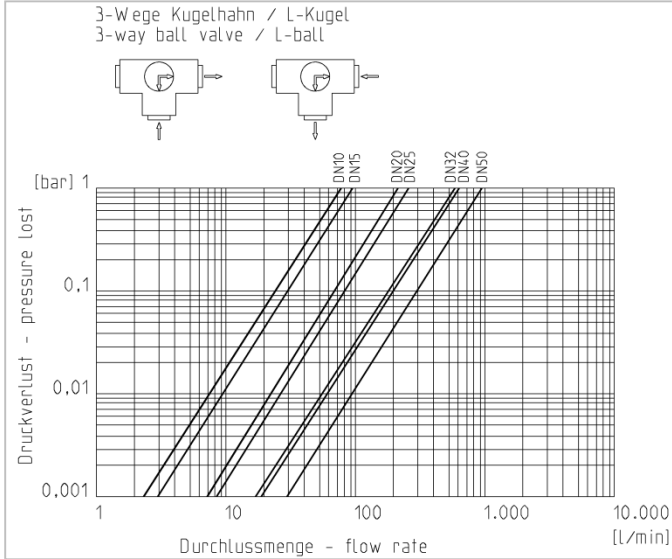
Tel: (03) 9290-9813



3 way ball valve S4 hand operated

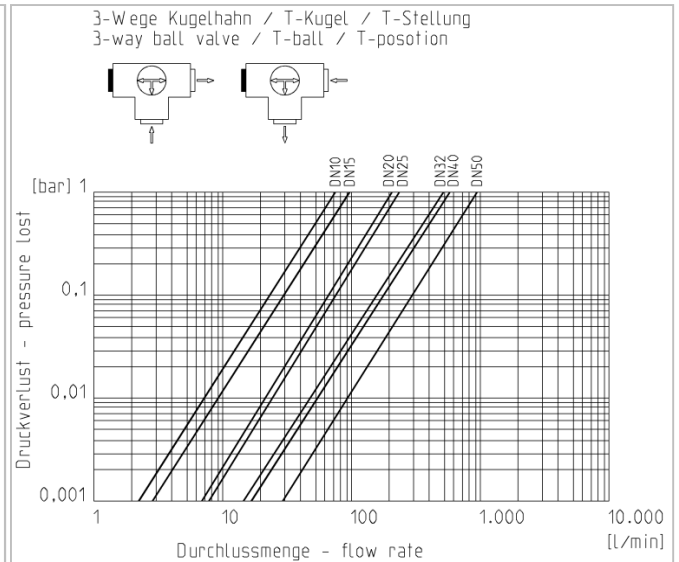
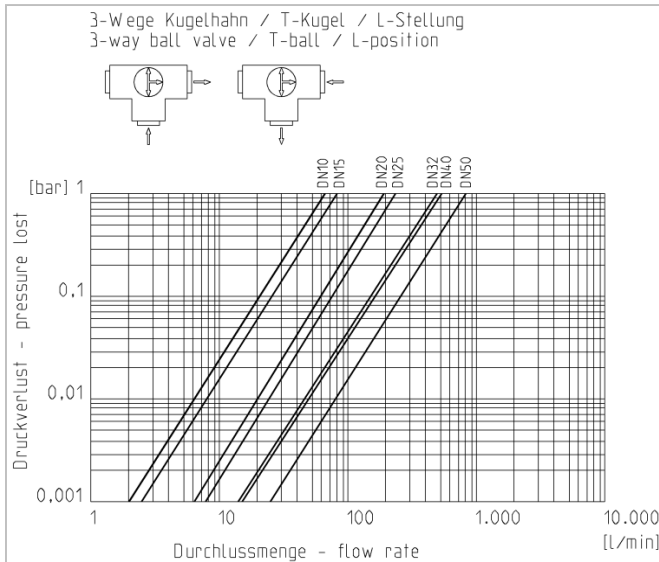


Pressure loss diagramm



DN10	DN15	DN20	DN25	DN32	DN40	DN50	Pressure loss	DN10	DN15	DN20	DN25	DN32	DN40	DN50
2,4	2,9	6,9	8,3	17,8	19,3	29,4	0,001 bar	5,3	6,5	11,4	16,3	35,6	40	61,3
75	93	218	261	562	610	930	1 bar	166	207	360	515	1127	1265	1940

l/min



DN10	DN15	DN20	DN25	DN32	DN40	DN50	Pressure loss	DN10	DN15	DN20	DN25	DN32	DN40	DN50
2	2,5	6,2	7,6	15	16	25,5	0,001 bar	2,3	2,9	6,6	7,6	15,5	17,6	29,1
64	80	195	240	473	507	805	1 bar	72	90	210	240	490	555	920

l/min



www.fluidflo.com.au
info@fluidflo.com.au Tel: (03) 9290-9813

