

SV-10 Series



DIRECT ACTING SOLENOID VALVES TO 10BAR

Technical Data

Size Range:	10mm - 50mm
Suitable for:	Water, air and oil under 20 CST
Maximum Temperature:	120°C (Fluid only)
Voltages available:	24 VAC, 240 VAC , 12 VDC, 24 VDC , 110 VAC
Connections:	BSPF (standard) NPT or flanged (optional)

The SV-10 series is a direct acting solenoid valve that will work from zero (0) pressure and is available in brass or stainless steel. Models include SV-10 which is normally closed (energize to open) or SV-10-NO normally open (energize to close).

All models feature investment cast body, interchangeable coils and Viton diaphragm.

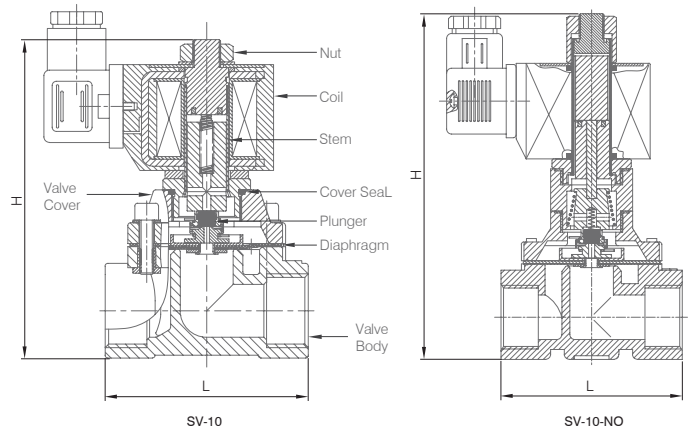


SV-10-316

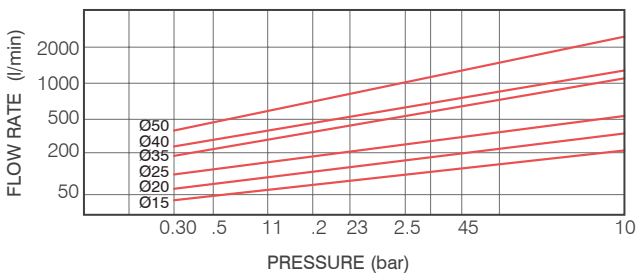


SV-10-NO

Parts List



Pressure Loss Chart



Dimensions

MODEL	FUNCTION	BODY MATERIAL	SIZE (MM)	L x H (MM)	CV FACTOR	
SV-10	Normally Closed	SV-10 (Brass)	SV-10-316 (304SS)	10	69 x 107	4.8
				15	69 x 107	4.8
				20	73 x 115	7.6
				25	99 x 121	12
				32	112 x 148	24
				40	123 x 158	29
SV-10-NO &	Normally Open	SV-10 (Brass)	SV-10-316 (304SS)	10	69 x 130	4.8
				15	69 x 130	4.8
				20	73 x 138	7.6
				25	99 x 146	12
				32	112 x 192	24
				40	123 x 203	29
50	165 x 226	48				

Selection List

MODEL & SIZE (MM)	MINIMUM PRESSURE	OPERATING PRESSURE BAR (AIR)		OPERATING PRESSURE BAR (WATER)		OPERATING PRESSURE BAR (OIL)		POWER CONSUMPTION		COIL TYPE & CODE (D=DIN PLUG)				
		AC	DC	AC	DC	AC	DC	24/240VAC (VOLT AMPS)	12/24VDC (WATTS)	240VAC	24VAC	24VDC	12VDC	
SV-10														
10 - 25	0	10	6	10	6	7	4	48/20	20	D01-41014	D01-4104	D01-4106	D01-4107	
32 - 50	0	10	6	10	6	7	4	70	40	D08-61014	D08-6104	D08-6106	D08-6107	
SV-10-NO														
10 - 25	0	5	5	5	5	3	3	48/20	28.5/20	D01-41014	D01-41014	D01-4104	D01-4106	
32 - 50	0	5	5	5	5	3	3	70	40	D08-61014	D08-61014	D08-6104	D08-6106	

FACTORY ACCREDITED:

