

SV-16 Series

TELEPHONE: (03) 9290-9813
 INFO@FLUIDFLO.COM.AU
 WWW.FLUIDFLO.COM.AU



PILOT OPERATED SOLENOID VALVES TO 16BAR

Technical Data

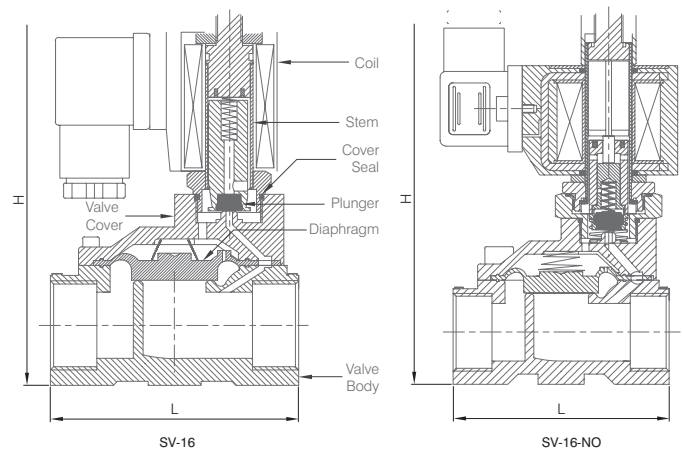
Size Range:	10mm - 50mm
Suitable for:	Water, air and oil under 20 CST
Maximum Temperature:	NBR 80 deg C Viton 120 deg C
Voltages available:	24 VAC, 240 VAC , 12 VDC, 24 VDC , 110 VAC
Connections:	BSPF (standard) NPT or flanged (optional)

The SV-16 range is a pilot operated solenoid valve that will work from 0.5 bar pressure and is available in brass or stainless steel. Models include SV-16 which is normally closed (energize to open) or SV-16NO which is normally open (energize to close).

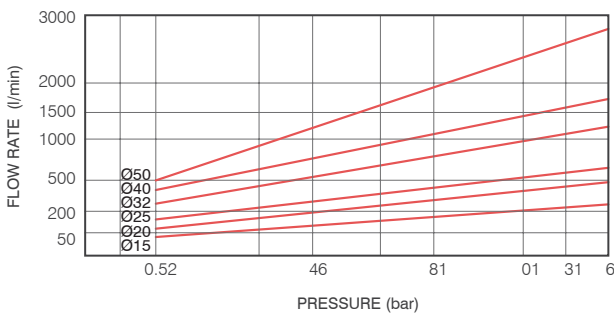
All models feature investment cast body, interchangeable coils and LED din plug.



Parts List



Pressure Loss Chart



Dimensions

MODEL	FUNCTION	BODY MATERIAL		SIZE (MM)	L x H (MM)	CV FACTOR
SV-16	Normally Closed	(Brass)	(SS316)	10	67 x 107	4.5
				15	67 x 107	4.5
				20	75 x 112	7.6
				25	96 x 126	12
				32	131 x 145	22
				40	131 x 145	30
SV-16-NO	Normally Open	(Brass)	(SS316)	10	66 x 124	4.5
				15	66 x 124	4.5
				20	75 x 130	7.6
				25	96 x 143	12
				32	131 x 162	22
				40	131 x 162	30
50	165 x 174	48				

Selection List

MODEL & SIZE (MM)	MINIMUM PRESSURE	OPERATING PRESSURE BAR (AIR)		OPERATING PRESSURE BAR (WATER)		OPERATING PRESSURE BAR (OIL)		POWER CONSUMPTION		COIL TYPE & CODE (D=DIN PLUG)			
		AC	DC	AC	DC	AC	DC	24/240VAC (VOLT AMPS)	12/24VDC (WATTS)	240VAC	24VAC	24VDC	12VDC
SV-16 DN10 - 50	0.51	61	61	61	61	31	32	21	3D	04-31014	D04-3104	D04-3106	D04-3107
SV-16-NO DN10 - 50	0.51	31	31	31	38		8	48/20	28.5/20	D01-41014	D01-4104	D01-4106	D03-5107

FACTORY ACCREDITED:

