

SV-25 Series

PILOT OPERATED SOLENOID VALVE TO 25BAR

FREECALL 1800 46 47 03
 INFO@FLUIDFLO.COM.AU
 WWW.FLUIDFLO.COM.AU



Technical Data

Size Range:	10mm - 50mm
Suitable for:	Steam, water, air and oil under 20 CST
Maximum Temperature:	185°C
Voltages available:	24 VAC, 240 VAC, 12 VDC, 24 VDC, 110 VAC
Connections:	BSPF (standard) NPT or flanged (optional)

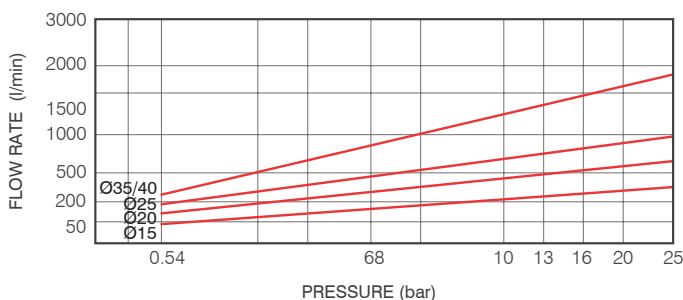
The SV-25 series is a pilot operated solenoid valve that will work from 0.5 bar pressure and is available in brass or stainless steel. Models include SV-25 which is normally closed (energize to open) or SV-25-NC normally open (energize to close).

All models have investment cast body, interchangeable coils and PTFE diaphragm. The range is specifically designed for steam or water pressures up to PN25

Features

- Brass or stainless steel body materials.
- Normally closed or normally open versions.
- PTFE diaphragm, others available on request.
- LED din plug available.
- All voltages interchangeable.

Pressure Loss Chart



Selection List

MODEL & SIZE (MM)	MINIMUM PRESSURE	OPERATING PRESSURE BAR (AIR)		OPERATING PRESSURE BAR (WATER)		OPERATING PRESSURE BAR (OIL)		STEAM AC/DC	POWER CONSUMPTION		COIL TYPE & CODE (D=DIN PLUG)					
		AC	DC	AC	DC	AC	DC		AC/DC	24/240VAC (VOLT AMPS)	12/24VDC (WATTS)	240VAC	24VAC	24VDC	12VDC	
SV-25																
10 - 50	0.5	25	20	25	20	20	20	10	48/20	28.5/20	D01-41014	D01-4104	D01-4106	D03-5107		
SV-25-NO																
10 - 25	0.5	8	8	8	8	8	8	8	48/20	28.5/20	D01-41014	D01-4104	D01-4106	D03-5107		
32 - 50	0.5	6	6	6	6	6	6	6	48/20	28.5/20	D01-41014	D01-4104	D01-4106	D03-5107		

FACTORY ACCREDITED:

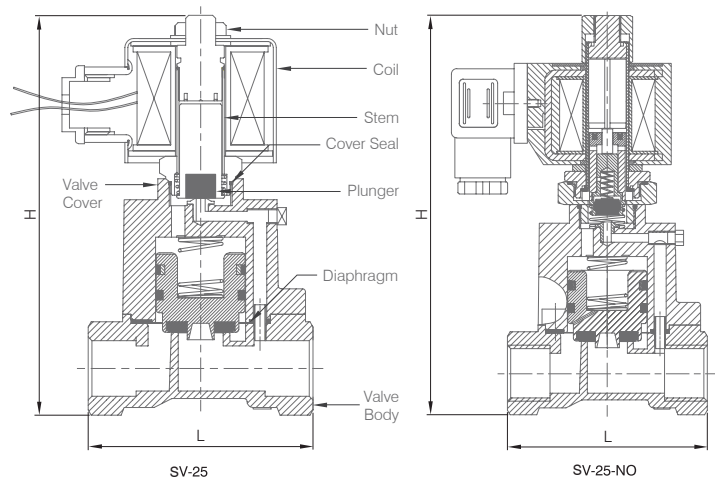


SV-25



SV-25-NO-316

Parts List



Dimensions

MODEL	FUNCTION	BODY MATERIAL		SIZE (MM)	L x H (MM)	CV FACTOR
SV-25	Normally Closed	SV-25 (Brass)	SV-25-316 (SS316)	10	75 x 129	4.5
				15	75 x 129	4.5
				20	85 x 141	9
				25	100 x 148	13
				32	120 x 168	26
SV-25-NO	Normally Open	SV-25-NO (Brass)	SV-25-316-NO (SS316)	10	75 x 147	4.5
				15	75 x 147	4.5
				20	85 x 159	9
				25	100 x 166	13
				40	120 x 186	26