

SV-8-P-DA Series

THERMOPLASTIC DIRECT ACTING SOLENOID VALVES
UP TO 8 BAR SOLENOID VALVES TO 100BAR

TELEPHONE: (03) 9290-9813
INFO@FLUIDFLO.COM.AU
WWW.FLUIDFLO.COM.AU



Technical Data

Size Range:	15mm - 25mm
Suitable for:	Fluids and air under 20 CST
Maximum Temperature:	80°C
Voltages available:	24VAC, 240VAC, 12VDC, 24VDC, 110VAC
Connections:	BSPF (standard) NPT (optional)

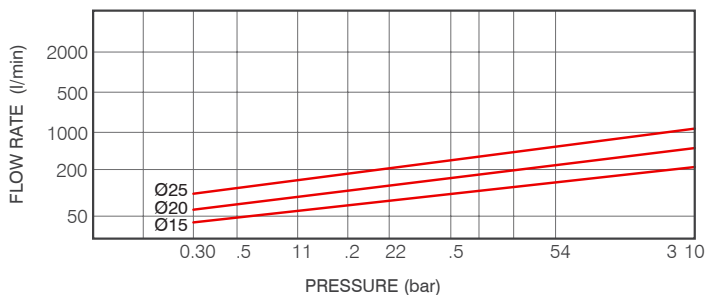
The SV-P-DA series is a direct acting, normally closed and normally open solenoid valve that will work from zero pressure in Polyamide (PA) or PVC materials.

All models feature interchangeable coils and Viton diaphragm.

Features

- Non corrosive body materials.
- Viton diaphragm, others available on request.
- LED din plug available.
- All voltages interchangeable.

Pressure Loss Chart



Selection List

MODEL & SIZE (MM)	MINIMUM PRESSURE BAR	OPERATING PRESSURE BAR (AIR)		OPERATING PRESSURE BAR (WATER)		OPERATING PRESSURE BAR (OIL)		POWER CONSUMPTION		COIL TYPE & CODE (D=DIN PLUG)			
		AC	DC	AC	DC	AC	DC	24/240VAC (VOLT AMPS)	12/24VDC (WATTS)	240VAC	24VAC	24VDC	12VDC
SV-8-P-DA15-5	0	8	8	8	8	6	6	48/20	20	D01-41014	D01-4104	D01-4106	D01-4107
SV-8-P-DA-PVC15-25	0.1	6	6	6	6	6	6	17	17	D01-41014	D01-4104	D01-4106	D01-4107

FACTORY ACCREDITED:

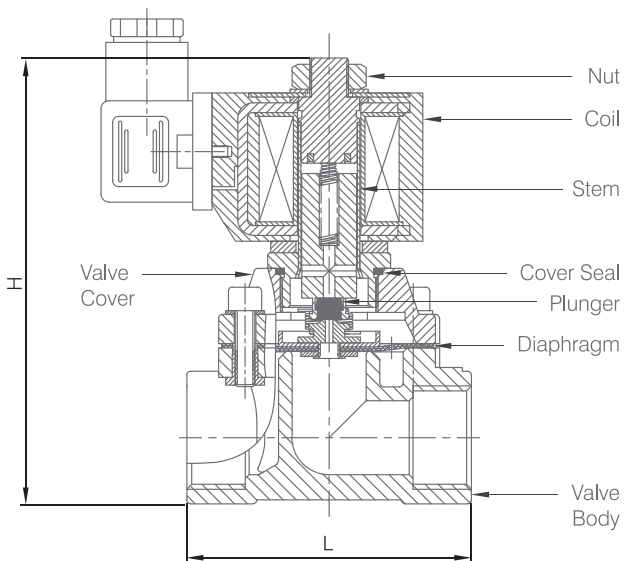


SV-8-P



SV-8-P-PVC

Parts List



Dimensions

MODEL	FUNCTION	BODY MATERIAL	SIZE (MM)	L x H (MM)	CV FACTOR
SV-8-P-DA	N-closed	Polyamide	15	69 x 107	4.8
SV-8-P-DA-NO	N-open	or PVC	20	73 x 115	7.6
			25	99 x 121	12