



MT series switch boxes

SPECIFICATION DATA



FEATURES

- High-level weatherproof rating of IP66/67.
- Visual position indicator on 2- or 3-way options for accurate visual of valve position.
- Mechanical, proximity, magnetic switches in various brands.
- Polyester coated body with captive stainless-steel fasteners or full 316 stainless steel.
- Interface for Namur solenoid valve and limit switch boxes.
- ASi and DeviceNet interface available
- Certified for use in all hazardous areas (Class I, Div.1&2, Groups A, B, C and D, Ex d IIB T6, Ex d IIC T6).
- "Quick-set" limit switch setting without tools.

SPECIFICATIONS

See individual model data for specifications

The MT series of switch boxes come in a wide range of IP protection, output options and materials. Each box has multiple approvals and comes with a stainless-steel mount bracket for Namur mounting. Quick set limits make for quick and easy limit switch set up without tools.








Options

- All grade 316 stainless steel version.
- Inductive, mechanical or magnet switches.
- Special colours.
- Coatings in PTFE or Nickel Phosphorus.
- 3 position for 3-way valves
- Communication card with ASi or Devicenet protocol.

APPROVALS



Coding example MT200- M2- Y0

Enclosure / Area Classification	Sensor/Bus	Visual Display
MT200	Mechanical Switches	Y90 90° Yellow OPEN, Red CLOSED
Die-cast aluminum: O-ring sealed Dichromate conversion with Polyester power coating Sealed: Buna NO-ring Double cable entry 2-1/2" NPT (Also available with 2-1/2" BSPP, M20 x 1.5) NAMUR shaft ISO Bracket IP67, NEMA4, 4X	M2 2SPDT 5A 125-250VAC, Honeywell (only for 200) M2 2SPDT 15A 125-250VAC, CROUZET (for 300-600) M3 3SPDT 15A 125-250VAC, CROUZET (for 300-600) M4 4SPDT 15A 125-250VAC, CROUZET (for 300-600) M5 2DPDT 15A 125-250VAC, CROUZET (for 300-600) ML2 Low Temp. -40°C 2SPDT 15A 125-250VAC, CROUZET (for 300-600)	Y60 60° Yellow OPEN, Red CLOSED Y45 45° Yellow OPEN, Red CLOSED G90 90° Green OPEN, Red CLOSED G60 60° Green OPEN, Red CLOSED G45 45° Green OPEN, Red CLOSED P90 90° P180 180° L Three way "L" Yellow based Bar T Three way "T" Yellow base red Bar
MT300	MG2 Gold contacts 2SPDT 15A 125-250VAC, CROUZET (for 300-600)	
Die-cast aluminum: O-ring sealed Dichromate conversion with Polyester power coating Sealed: Buna NO-ring Double cable entry 2-1/2" NPT (Also available with 2-1/2" BSPP, M20 x 1.5) NAMUR shaft ISO Bracket IP67, NEMA4, 4X		
MT400	Proximity Sensor	
Die-cast aluminum: O-ring sealed Dichromate conversion with Polyester power coating Sealed: Buna NO-ring Double cable entry 2-3/4" NPT (Also available with 2-1/2" or 3/4" BSPP, 1/2"NPT, M20 x 1.5) NAMUR shaft ISO Bracket Ex Class I, Div.1 & 2 Groups A, B, C and D Ex d II C T6, IP66, NEMA4, 4X,7,8	PP22 2-p+f Inductive sensors (2 wire) NCB2-V3-No 8DCV, <=1mA  PA22/3 2-ALPS Inductive sensors (2 or 3 wire) 10-30VDC, <=150mA 	
MT500	Magnet Sensor	
Die-cast aluminum: O-ring sealed Dichromate conversion with Polyester power coating Sealed: Buna N O-ring Double cable entry 2-3/4" NPT (Also available with 2-1/2" or 3/4" BSPP, 1/2"NPT, M20 x 1.5) NAMUR shaft ISO Bracket Ex Class I, Div.1 & 2 Groups C and D Ex d II BT6, IP66, NEMA4, 4X,7,8	5-240 VAC/DC, <=300mA 	
MT600	Analog Output	
Stainless steel 304 or 316. Resistance to corrosion of chemicals and salty fog: O-ring sealed Sealing: Buna NO-ring Double cable entry 2-3/4" NPT (Also available with 2-1/2" or 3/4" BSPP, 1/2"NPT, M20 x 1.5) NAMUR shaft ISO Bracket Ex Class I, Div.1 & 2 Groups C and D Ex d II BT6, IP66, NEMA4, 4X,7,8	F analog output 4-20mA transmitter (0-90°) (Available for 300-400 with 0 or 2 switches for M1, M2, PP, PA OR QA only)	
MT200	Sensor-Communication Card	
Die-cast aluminum: O-ring sealed Dichromate conversion with Polyester power coating Sealed: Buna NO-ring Double cable entry 2-1/2" NPT (Also available with 2-1/2" BSPP, M20 x 1.5) NAMUR shaft ISO Bracket IP67, NEMA4, 4X	AS2 AS-Interface 20-28VDC, <=41mA (2 Hall sensors for 300, 400) DN2 DeviceNet 20-28VDC, <=41mA (2 Hall sensors for 300, 400) 	
Enclosure / Area Classification	Sensor/Bus	Visual Display

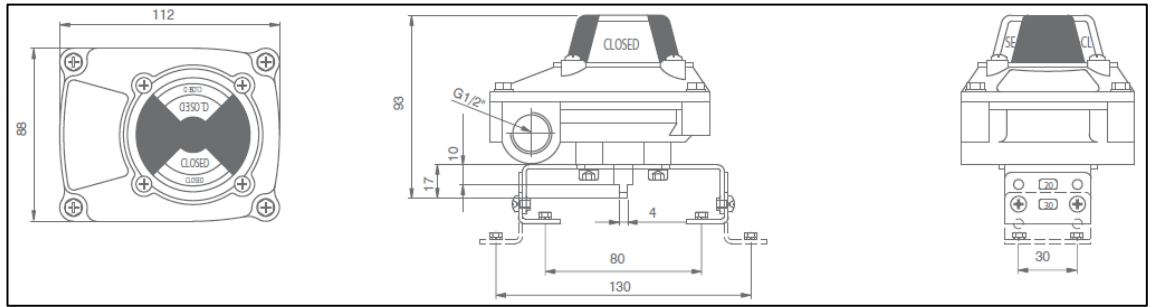


Proximity Sensor (PP22)

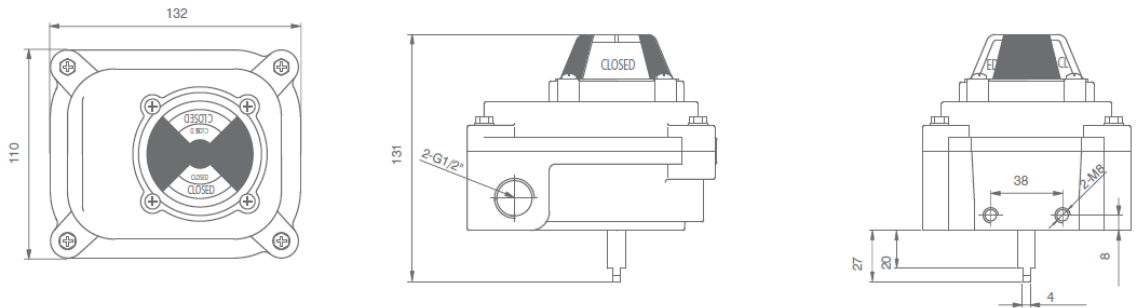


Proximity Sensor (PA23)

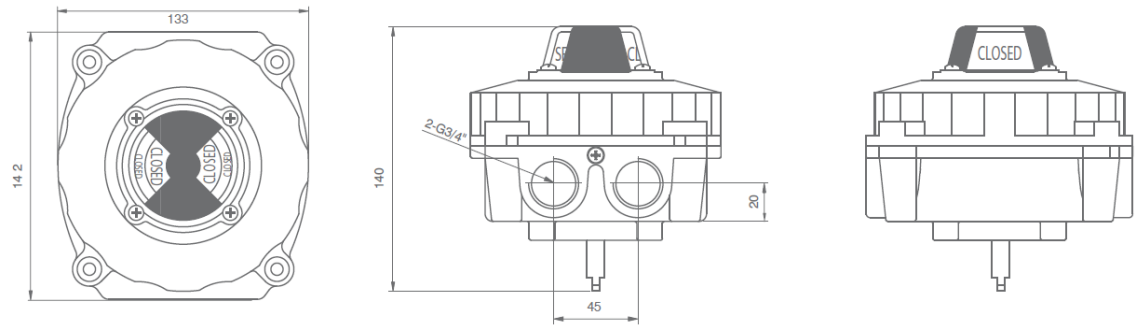
MT-200



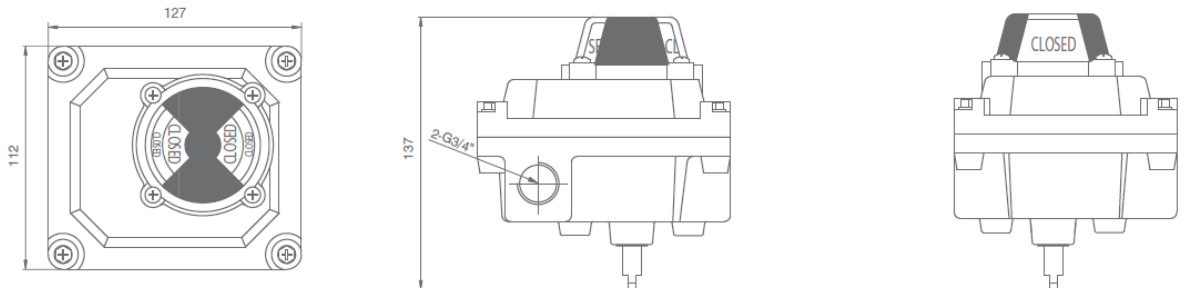
MT-300



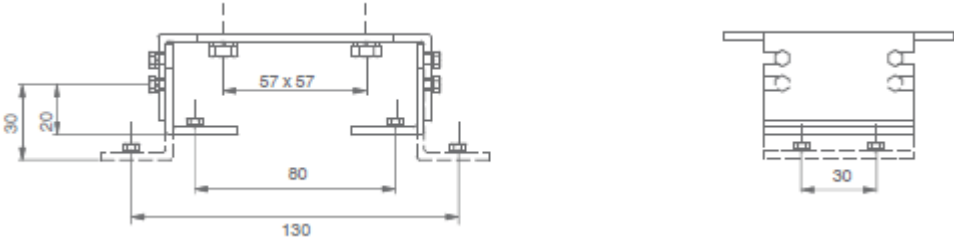
MT-400



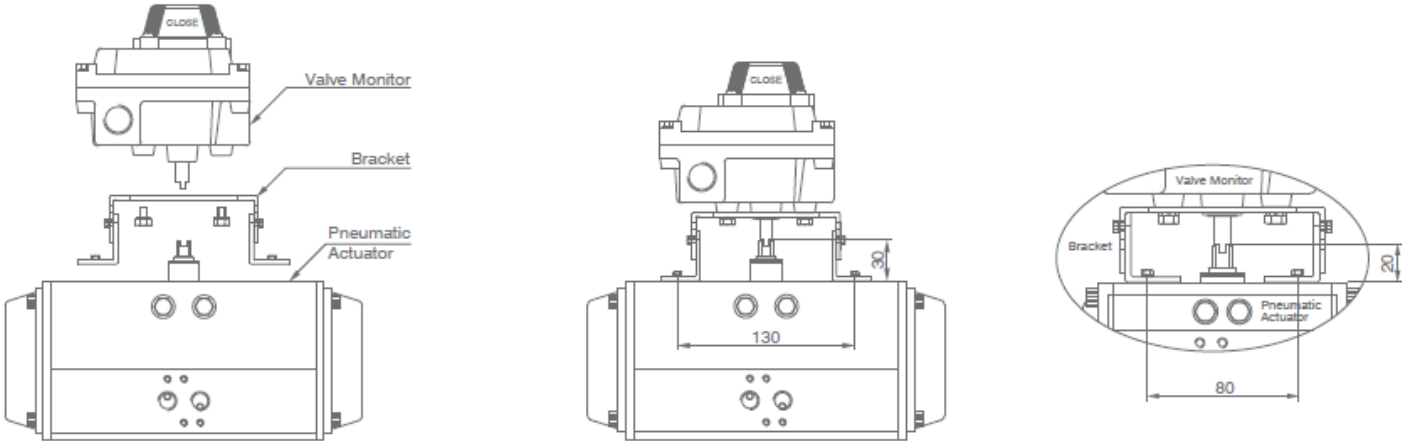
MT-500/600



BRACKET FOR MT-300-600



FITTING INSTRUCTIONS

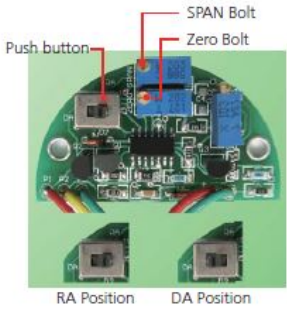


ACCESSORIES

All 316SS builds



4-20Ma control card



D series with inbuilt solenoid valve

