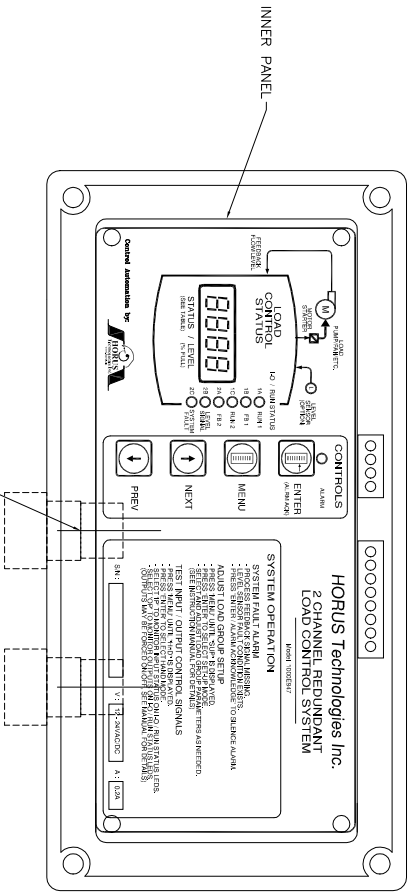
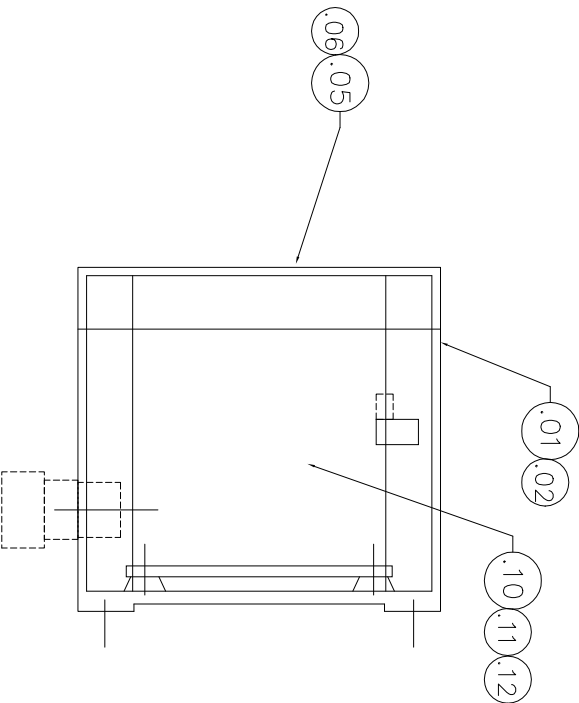


REV	ECO	ZONE	DESCRIPTION	DATE	BY	APP'D
-	-	-	FIRST RELEASE	02/MAY/30	B.W.	

HORUS - 016.DWG



RECOMMENDED 7/8" Ø ENTRY  
FOR 1/2" CONDUIT FITTINGS  
(BY OTHERS)



REFERENCE DRAWINGS:

BILL OF MATERIAL

1000-E900

<p>This drawing is CONFIDENTIAL PROPERTY of HORUS TECHNOLOGIES INC. and may not be used, reproduced, published or disclosed to others without authorization of HORUS TECHNOLOGIES INC. If loaned, this drawing is subject to return upon demand, and with the understanding that it is not to be used in any way detrimental to HORUS TECHNOLOGIES INC.</p>			
CLIENT			
PROJECT			
SCALE	NTS	DO NOT SCALE DRAWING	DATE
TOLERANCE UNDER ORDERING SYSTEM	DESIGNED	B.W.	07/JAN/5
X	DRAWN	B.W.	07/JAN/5
.XX	CHECKED		
.XXX	APP'D		
FACTORS			
ANGLES			
		<p><b>HORUS TECHNOLOGIES INC.</b> 1705 LESLIE ST., UNIT #11, NEWMARKET, ONTARIO, L3Y 6E1</p>	
TITLE	GENERAL ASSEMBLY		
DWG No.	1000-E947		
REV	-		