

Description:

This full-featured programmable automation controller is designed to control cooling and heating systems in residential and commercial facilities. The TSTAT Series controllers provide features that make them ideal for stand-alone or networked HVAC product controls. Used for heat pumps, air handlers, fan coils, baseboard control, simple zone control, freezers, heaters.... Flexible Input / Output configurations with up to 8 'Universal' inputs, 5 relay & 4 analog outputs, a simple operator keypad and a back-lit LCD display; all in a compact package. TSTAT controllers can perform custom logic and PID Loop control functions to meet most HVAC control needs.

Highlights:

- Tight control of 0.5°C provides comfortable indoor environment.
- High impact plastic enclosure suitable for commercial environments.
- Adjustable parameters and set-points stored in non-volatile memory.
- Manual Override of control outputs (valve, fan, heater...)
- EIA 485 Modbus MS Network capable.
- Real Time Clock & Occupancy Sensor



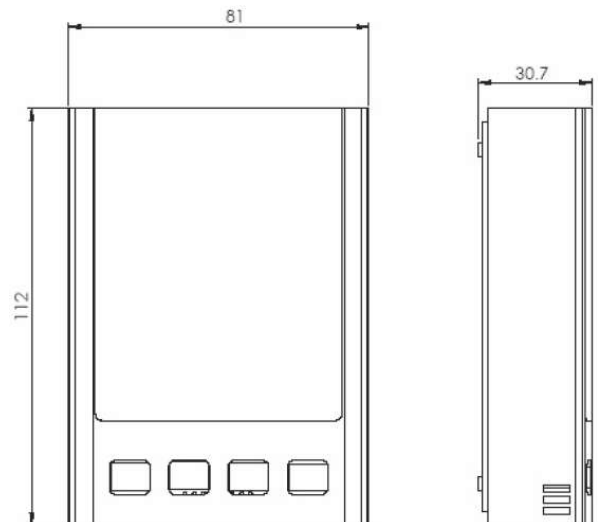
Technical data:

iStat6.....5 relays x 2amps @24V, 8 analog inputs,
4 analog outputs (10V @50ma),
jumper selectable 4-20mA option

Operating temperature..... -30-70°C (-22~158°F)
LCD screen temperature limitation..... 0-35°C (32~95°F)

Supply voltage.....16~24V AC/DC, 50-60Hz
Power consumption.....100mA at 12VDC
Relay contacts rating.....2A @ 24VDC
UL File No.: E43149CSA File No.: LR26550

Ambient humidity.....10-90 %Rh
Operating Environment.....0 ~ 99% humidity non condensing
Plastic Housing.....Flammability rating UL 94V0 file E194560
Enclosure rating.....IP31
Temperature sensor.....10K thermistor -0.5°C
Programmable momentary push-button
Supports ControlCore™ and standard Modbus/RTU protocol.
RS485 interface 19200 / 8-N-1
User selectable baud rates (9600, 19200, 38400, 57600, 115200)
Colour.....White/Off-white
Weight 200g



Technical Support, Sales & Service by:

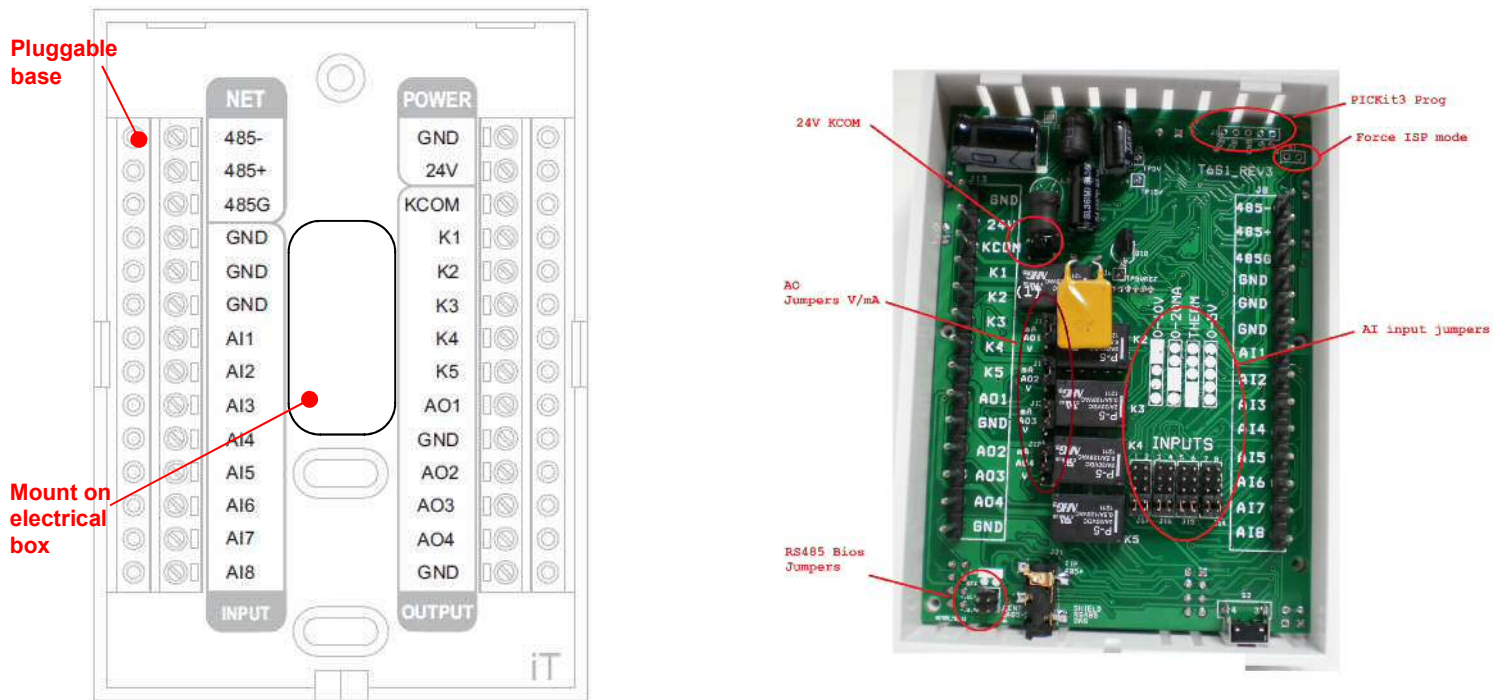
HORUS Technologies Inc.

11-17075 Leslie Street, Newmarket, Ontario. L3Y 8E1

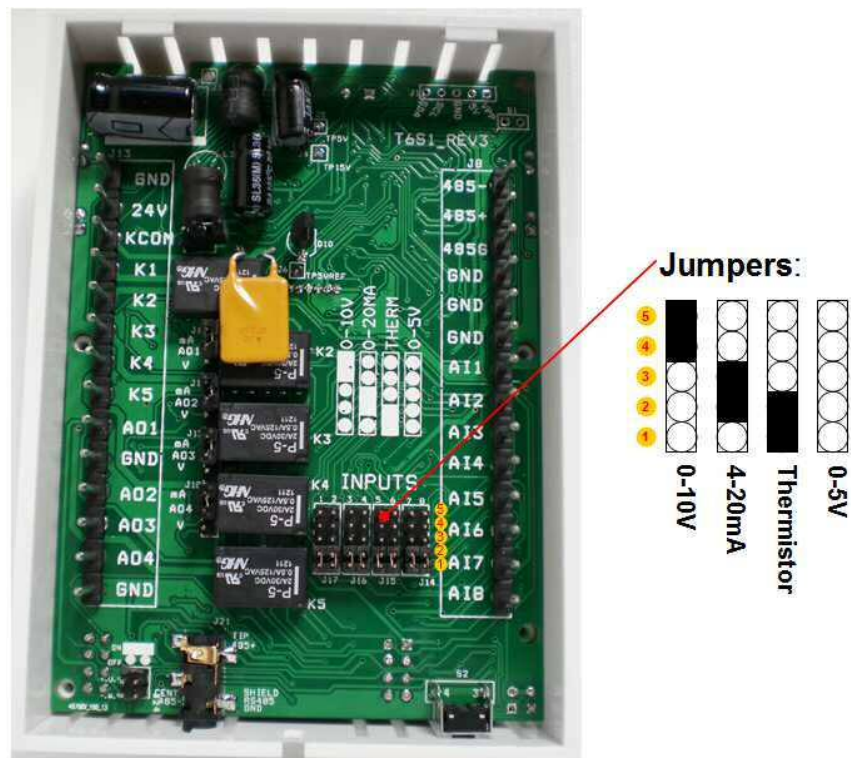
Call Toll Free 1-800-357-2098

www.horus.co

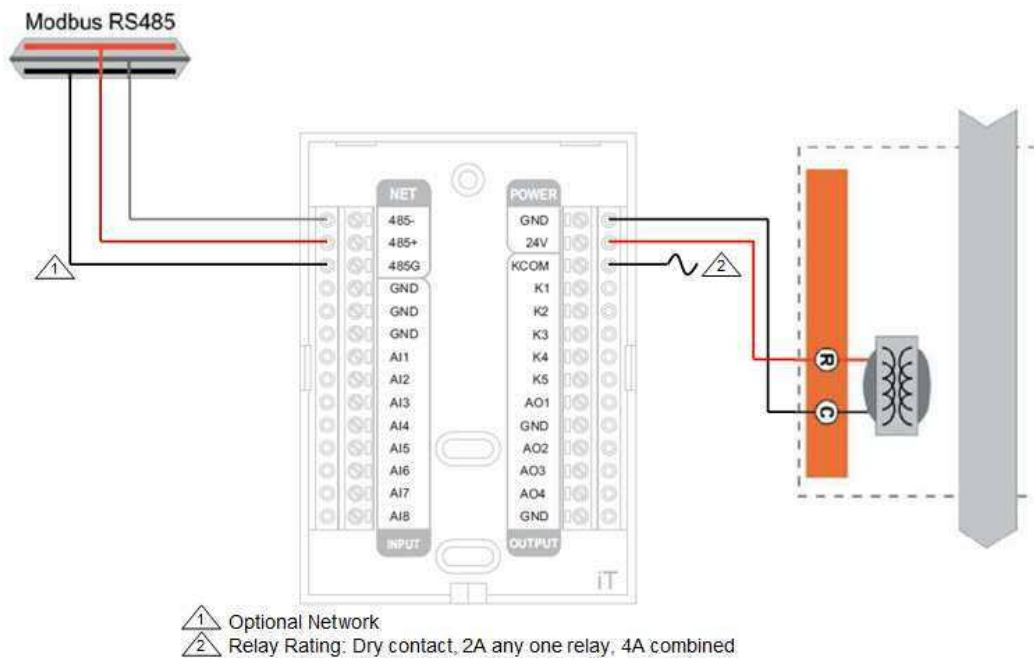
iStat6 board:



Jumper settings:



Wiring Diagram:



One Year Guarantee and Limitation of Liability:

HORUS Technologies Inc. guarantees to the original purchaser that this product is free from defects in both material and workmanship under normal use and service within one (1) year from the date of shipment from the factory or from its official sales channel to the original purchaser.

The liability of HORUS Technologies Inc. under this guarantee shall not in any case exceed the cost of correcting defects in the product of supplying replacement product as herein provided and upon the expiration of the guarantee period all such liability shall terminate.