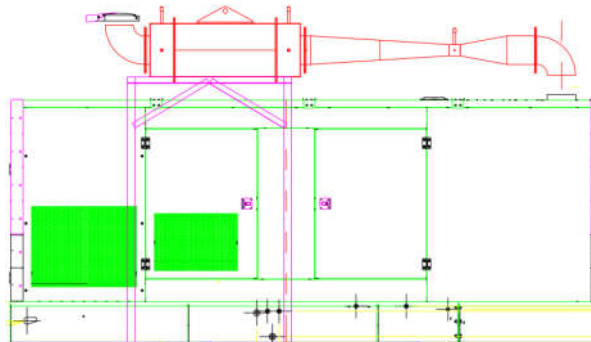


The Provision of High Quality, Performance NOx Reduction Systems for Electric Power Generation

NOxProtekt Ltd are a designer and manufacturer of bespoke NOxProtekt Selective Catalytic Reduction Systems for the reduction of NO and NO₂ from Diesel, Gas and Bi-Fuel Engines.

Specifically designed and manufactured to cope with the harsh thermodynamic loading of continuous operation at fixed speed with high impact transient loading associated with Power Generation Applications.



NOxProtekt Ltd

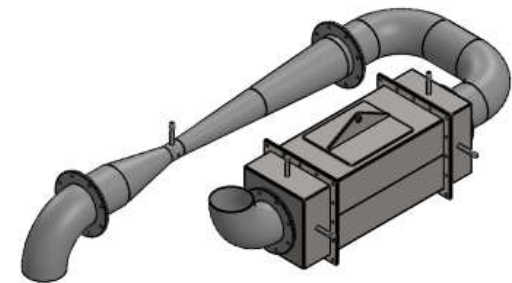
10-12 March Street, Sheffield, England S9 5DQ



NOxProtekt Ltd

Specialists in the Control of Pollution

NOxProtekt Systems Provider

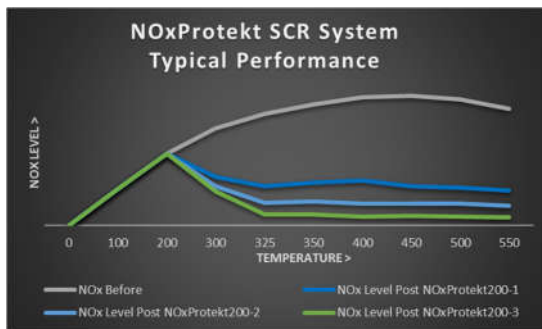


NOxProtekt 
Specialists in the Control of Pollution



Performance

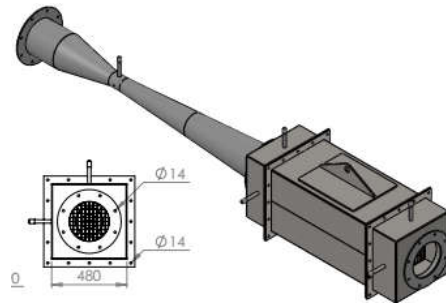
The NOxProtekt System is a form of bespoke Selective Catalytic Reduction system that offers a selection of options for conversion of NOx to harmless Nitrogen and Water, for specific engines. The catalyst selection and sizing process is dependent on the specific characteristics of the engine and installation, which NOxProtekt Ltd will advise using our in-house technical support and engineering department, to provide the most suitable performance at the most cost-effective price for your specific installation.



Specific Performance will be selected and refined for your application.



Product Offerings



NOxProtekt-1

Series 1 - NOx Reduction System

The NOxProtekt Series 1 Catalyst offers a typical NOx conversion of 65%.

NOxProtekt-2

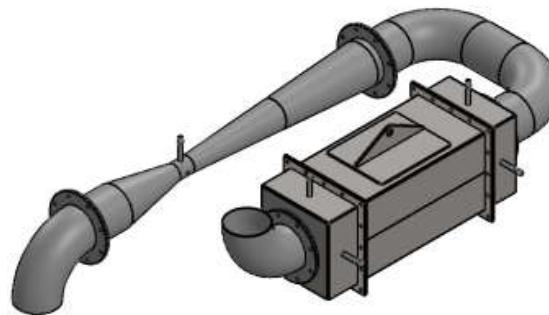
Series 2 - NOx Reduction System

The NOxProtekt Series 2 Catalyst offers a typical NOx conversion of 80%.

NOxProtekt-3

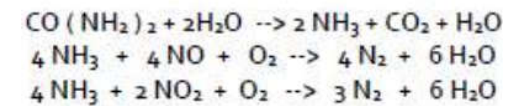
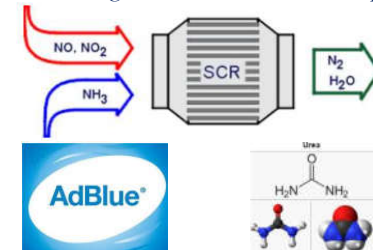
Series 3 - NOx Reduction System

The NOxProtekt Series 3 Catalyst offers a typical NOx conversion of 90 to 95%.



NOxProtekt System

How it Works: AdBlue/Urea is injected upstream of the catalytic reactor chamber to convert NOx to Water and Nitrogen and released to atmosphere.



Contact Us

NOxProtekt Ltd
10-12 March Street, Sheffield,
England, S9 5DQ

01223 872 933
JohnMoore@NOxProtekt.co.uk

&

JonnyRodgers@NOxProtekt.co.uk