

TILE CEILINGS

Brief technical specification

Supply and install **PANELLITE Lay In Tile System** as manufactured by Panellite Marketing Sdn Bhd. The ceiling panel shall manufactured in the size of _____x_____x_____mm thick, made of aluminium.

Perforations will be contained within the surface of the panel and showing a plain unperforated border to all four sides (or without perforation).



PANELLITE

- Exposed system
- Available in aluminium
- Wide range of colours including wood grain patterns
- Light weight and easy to handle and install
- Provide acoustical control
- Wide range of perforated pattern
- Individual panels can be removed easily for access

Primary Suspension

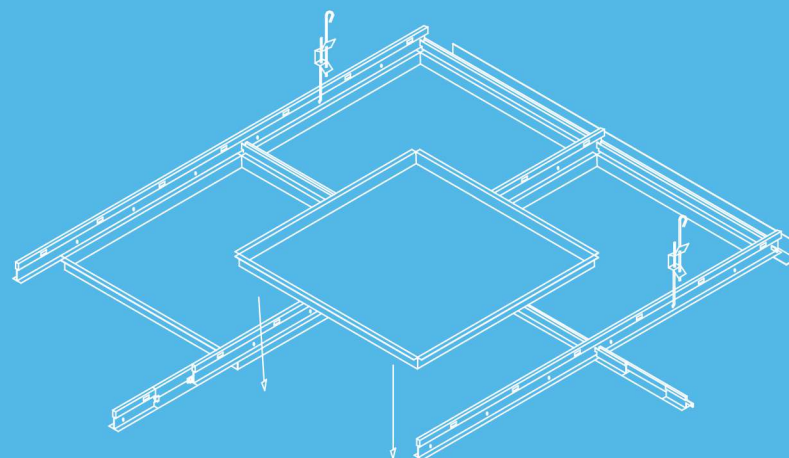
The primary suspension is optional to the consultant or installer.

Secondary Suspension

The secondary suspension consist of pre-punched main tee sections installed in a grid by means of inserting cross tees which are designed to be used with the size of tile selected.

The maximum distance for the suspension rod is 1200mm centers to centers.

LAY IN SYSTEM



PANELLITE
Architectural Products

KUALA LUMPUR

Panellite Marketing Sdn Bhd (733583-P)
5, Jalan sungai Jeluh 32/189, Bukit Naga, Sekyen 32,
40460 Shah Alam, Selangor, Malaysia.
Tel: +603-51662531 / +603-51670931 Fax: + 603-51667857

BORNEO

Panellite Marketing (Borneo) Sdn Bhd (920462-U)
Lot No. 2,Block G, Sri Kemajuan Industrial Centre, Mile 6½, Jalan Tuaran,
88450 Kota Kinabalu, Sabah, Malaysia.
Tel: +6012-684 8698 Fax: +6088-428 246

* Technical data subject to change without prior notice.

TILE CEILINGS

LAY
IN
TILE

TILE CEILINGS

TYPE LAY IN TILE

PANELLITE Tile Ceiling - Lay In System

The installation of PANELLITE Lay In Tile Ceiling provides the simplest form of total access to the ceiling void. In the most cases, the ceiling sizes are 600 mm X 600mm or 600 mm X 1200 mm to suit the exposed grids in the market.

COMPOSITION

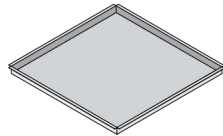
System :

The Panellite suspension system consists of the following components:

- Lay In tiles,
- Main Tee
- Adjustable Clip
- Wall Angle
- Cross Tee
- Rigid Suspension

Standard Products:

575 mm or 585 mm Lay In Tile, (600mm module) make of:-



Material	Thickness
Aluminium	0.6 mm

Minimum Constructional Height:

The suspended Panellite Lay In Tiles have a minimum constructional height of 8 mm. The minimum constructional height of Panellite Lay-In Tile installed direct to the soffit is 92 mm.

Remove and Reinstall of Tile Ceiling:

It is possible to remove and reinstall individual tiles anywhere in the ceiling. To remove, push up the individual ceiling panel upward gently.

Panels Perforation (Optional):

Standard perforation hole with diameter of 1.8 mm and above.

For non-standard perforated hole, please refer to the manufacturer.

Sound Absorption:

Basically, there are few types of acoustic materials:-

- i) **Mineral wool**
with one side of black tissue and lay on behind of the panel.
- ii) **Standard acoustic textile**
bonded to the concealed surface of the tiles.
- ii) **SoundTex acoustic textile**
bonded to the concealed surface of the tiles with NRC 0.75mm and above.

Colours:

Panellite's standard colour is white in a matt finished to a gloss level of 15-20. For other non-standard colour please refer to the manufacturer.

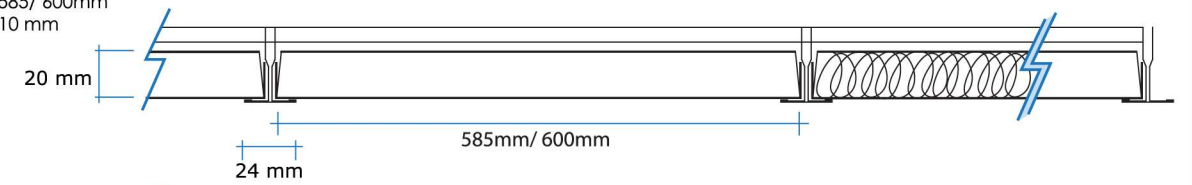


PANELLITE

PANELLITE Tile Ceiling: Lay In System (Section Drawing)

Tile Dimension : 585/ 600mm
Module : 600 / 610 mm

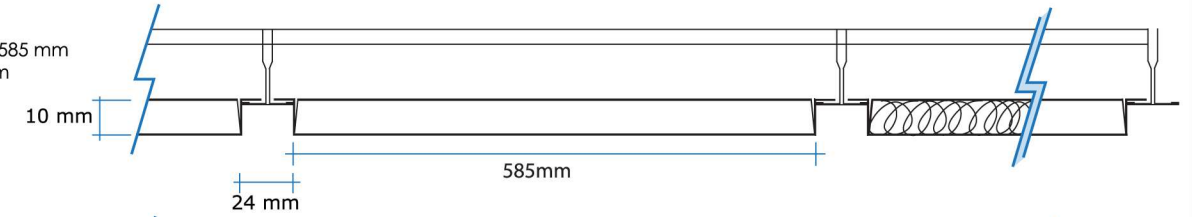
LAY-ON



Tile Dimension : 585 mm
Module : 610 mm

LAY-IN

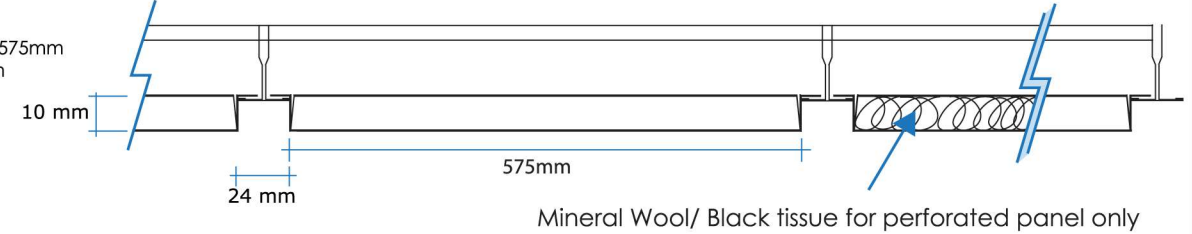
Imperial "T" System



Tile Dimension : 575mm
Module : 600mm

LAY-IN

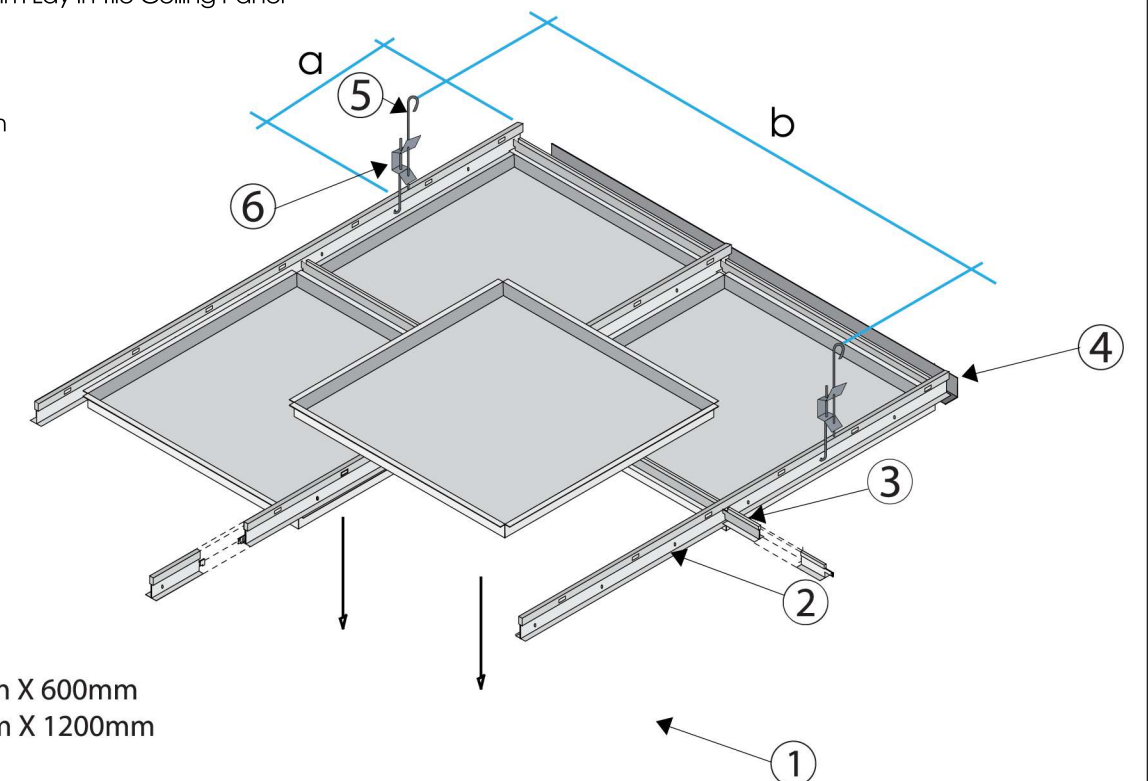
Matrix "T" System



PANELLITE Tile Ceiling: Lay In System (Ceiling Layout)

- 575 mm or 585 mm (600 mm Module) Lay In Tile Ceiling Panel.

- 1) 600 mm x 600 mm Lay In Tile Ceiling Panel
- 2) Main Tee
- 3) Cross Tee
- 4) Wall Angle
- 5) Rigid Suspension
- 6) Adjustable Clip



Module: 600mm X 600mm
600mm X 1200mm

a: distance between 1st suspension to wall- maximum 450 mm
b: distance between suspension point- maximum 1200 mm