

**PRANCE**<sup>®</sup>  
- METAL CEILING & WALL SOLUTIONS -



**PRANCE BUILDING MATERIAL CO.,LTD**

Tel: +86-757-83138155

Fax: +86-757-83139722

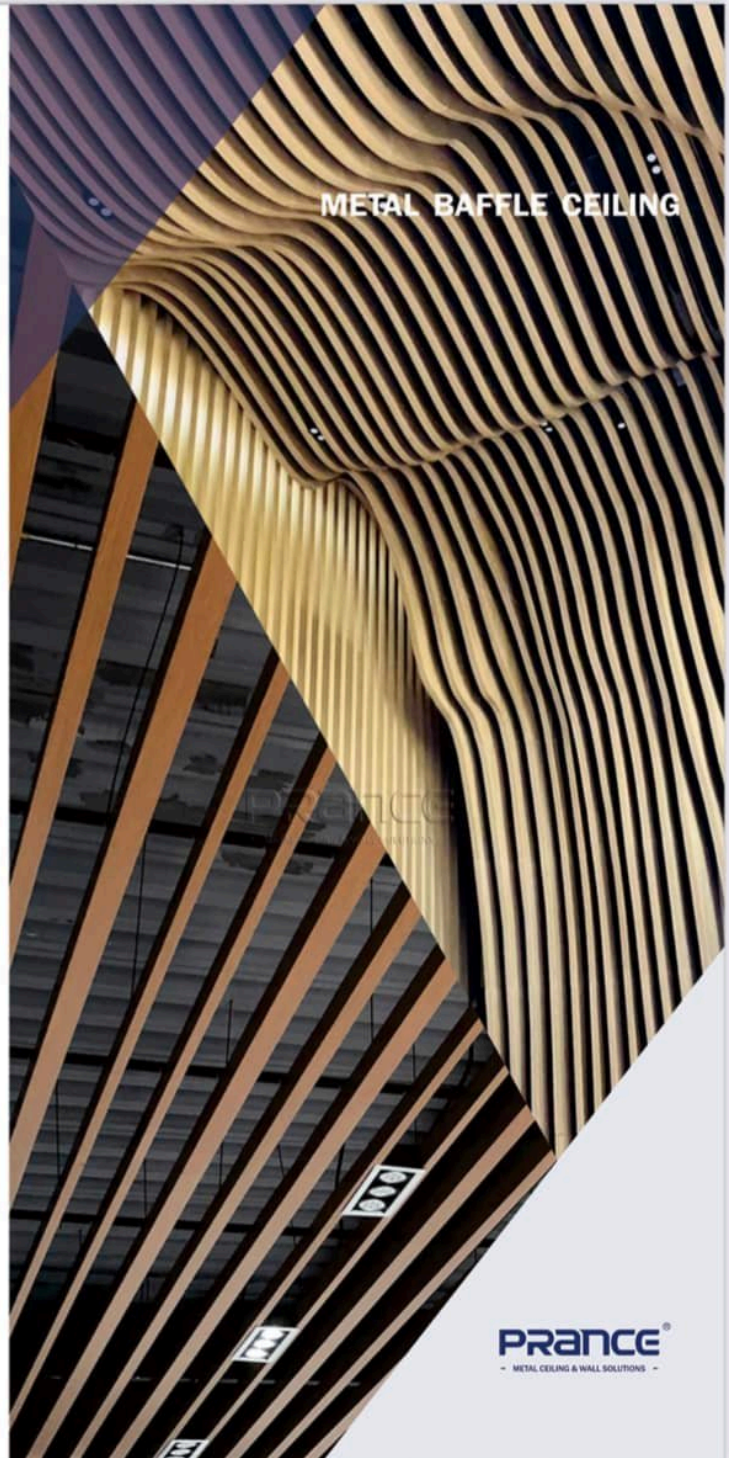
Http://www.prancebuilding.com

E-Mail: info@prancebuilding.com

Office: 3F,1st Building, No.11 Gangkou Rd,Chancheng,Foshan,Guangdong

Factory : 169, South Area, Base of Electrical and Electronic Industry,Baini, Sanshui, Foshan, Guangdong

**METAL BAFFLE CEILING**



**PRANCE**<sup>®</sup>  
- METAL CEILING & WALL SOLUTIONS -

## U-Baffle



### • Feature

A decorative ceiling, adjustable vision height, and can conceal all pipe and other facilities, and also can be make sunlight or lamplight soft uniform. It has open vision, ventilation, breathable, lively and tidy line, distinct, reflected contacted modern style, simple and convenient operation, become main products in products in popular decoration market.

### • Application

Applied in corridor, bars, shopping malls, office buildings, library, club, square, exhibition, subway station, airport and other places.

### • Common specification

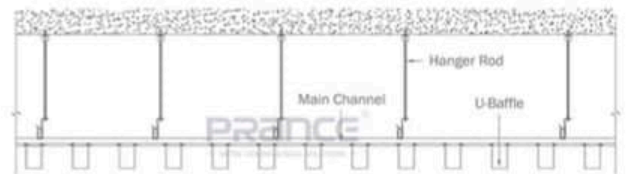
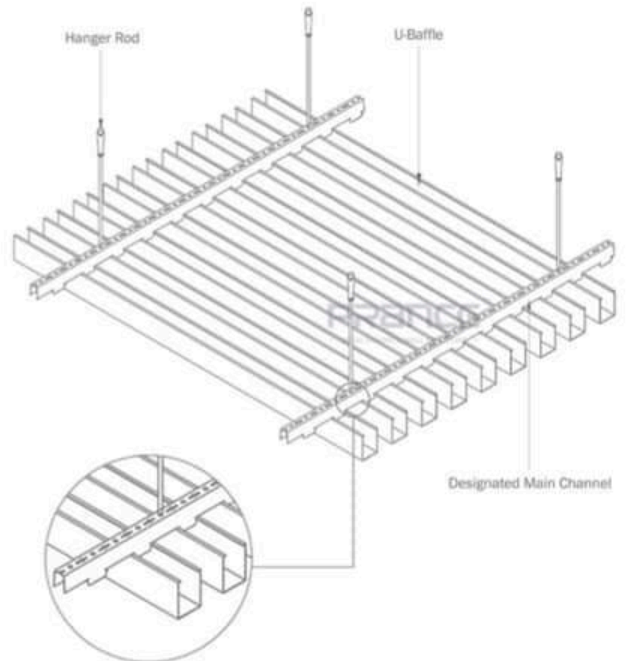
Regular width: 20, 25, 30, 40, 50, 60, 70, 80mm

Exceed width: 100, 110, 120, 130, 140, 150, 160, 170, 180, 190, 200, 300mm

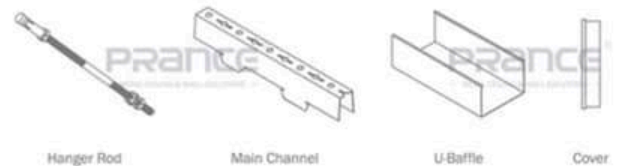
Height range: 20-300mm



## Installation



## Accessories



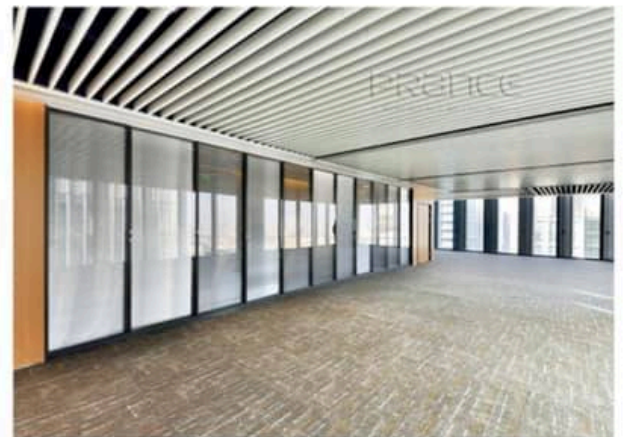
Collection

Type: PRTH-28151 Thickness: 0.6mm	Type: PRFG-28198 Thickness: 1.0mm	Type: PRTH-28247 Thickness: 0.45mm	Type: PRFG-28248 Thickness: 0.8 / 1.5mm
Type: PR-28149 Thickness: 0.8 / 1.0mm	Type: PRFG-28150 Thickness: 0.8mm	Type: PRFG-28151 Thickness: 0.8mm	Type: PRFG-28161 Thickness: 1.0mm
Type: PRFG-28152 Thickness: 0.8mm	Type: PRFG-28153 Thickness: 0.8mm	Type: PRFG-28154 Thickness: 0.8mm	Type: PRFG-28155 Thickness: 0.8mm
Type: PRTH-28156 Thickness: 1.0mm	Type: PRFG-28150 Thickness: 0.8mm	Type: PRFG-28157 Thickness: 0.8mm	Type: PRTH-18248 Thickness: 0.9mm

03

Collection

Type: PRFG-28056 Thickness: 0.8mm	Type: PRFG-28159 Thickness: 0.9mm	Type: PRTH-18104 Thickness: 1.9mm	Type: PRGY-55061 Thickness: 0.9mm



04



## U-Baffle Profile



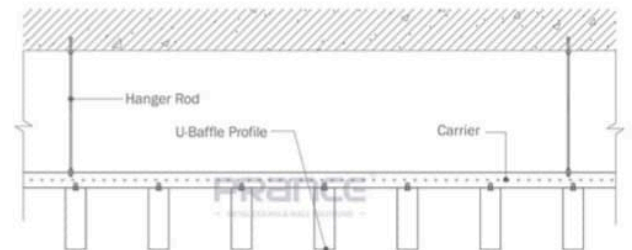
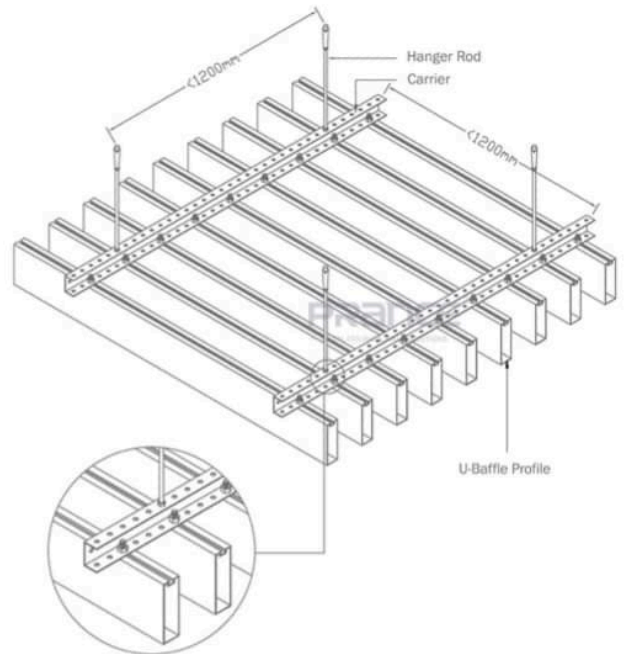
• Feature  
It through continuous rolling or cold bending , special keel card buckles type installation structure, simple and convenient, suitable for interior decoration

This products is open transparent, sound-absorbing and decoration functions, and with modern fashion, leading effect, Through changes height, direction and lighting and color, put ceiling more transparent and moving .

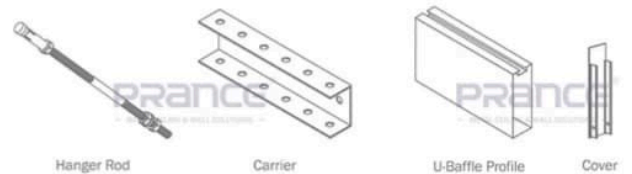
Widely used in corridor, bars, shopping malls, office buildings, library club, square, exhibition, subway station, airport and other places.



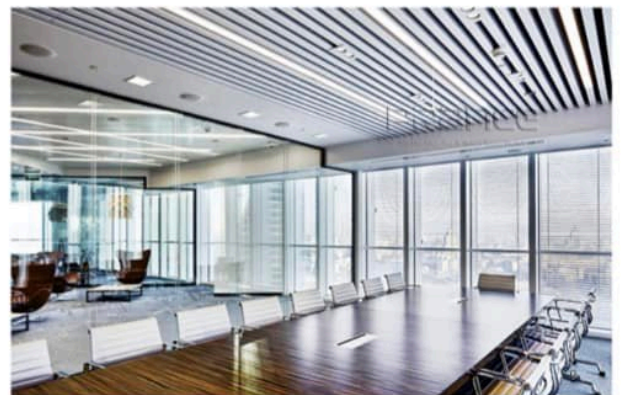
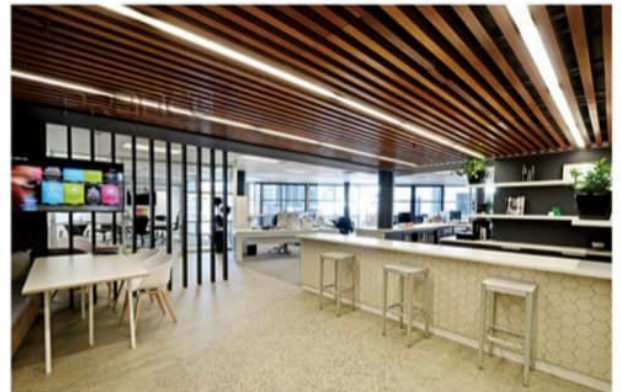
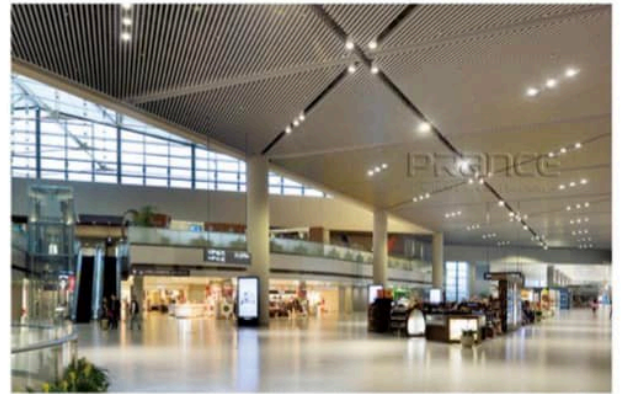
## Installation



## Accessories



100 Series			
		Type	Thickness
PRGY-15043	1.0mm	PRTY-18107	1.2/1.4mm
		Type	Thickness
PRTY-18166	2.0mm	PR-150x100	1.8mm
		Type	Thickness
PR-150x100B	1.9mm	PR-100x180	1.85mm
	Type	Thickness	
PR-200x100	2.0mm		



## O-Baffle

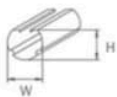
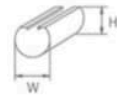


### • Feature

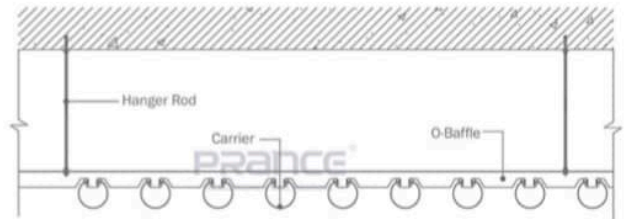
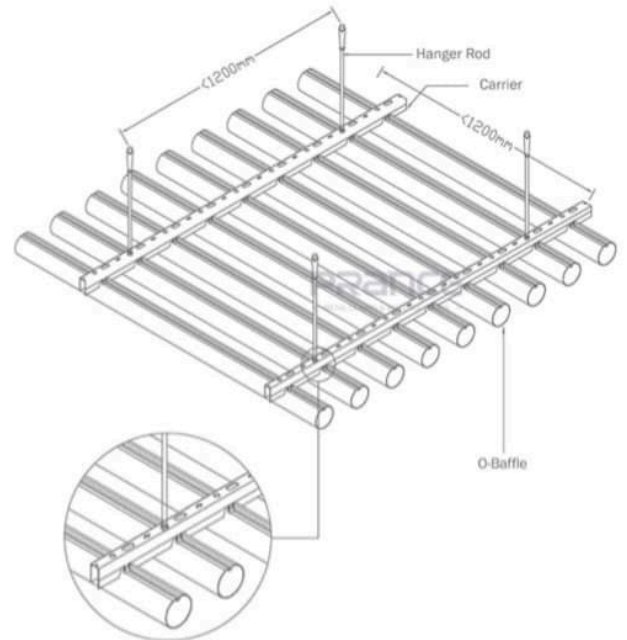
1. Equipped with simple suspension system for easy installation and dismantling
2. Individual tube can be manufactured with factory pre-fixed end caps
3. With sliding connectors from tube ceiling to suspension system offering choice of different modulation.

Height	62	Width	70
Length	1~5000		
Thickness	0.6~0.8		

Unit: mm



## Installation



## Accessories



Hanger Rod



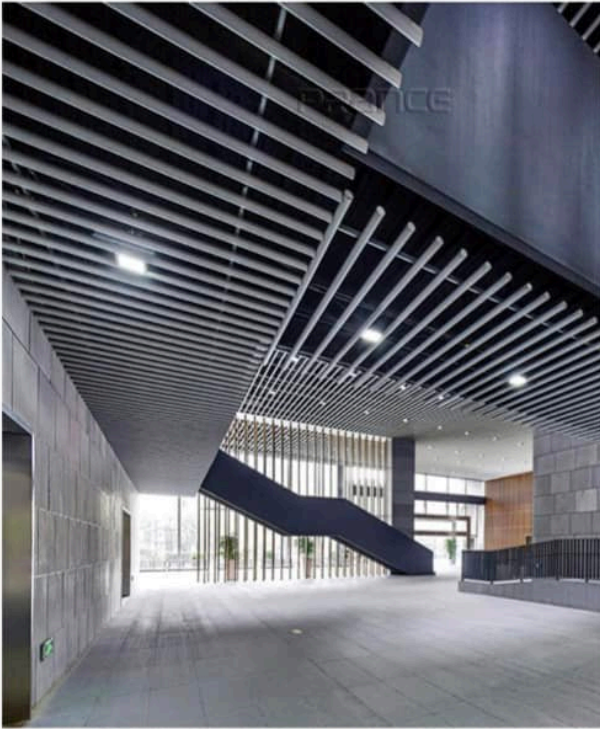
Carrier



O-Baffle



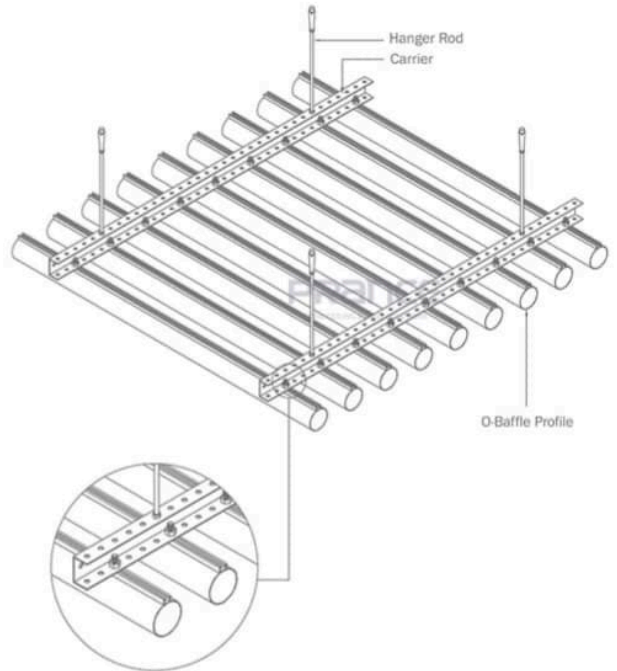
## O-Baffle Profile



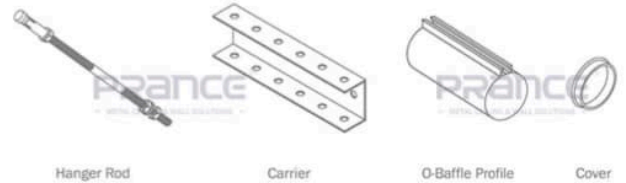
• Feature  
 Aluminum tact is molded by CNC shearing , bending , rolling , etc The specifications can be customized, round, soft and have a strong visual impact. The length is less than 6 meters, the visual height of the house can be adjusted, the function of the pipeline facility can be hidden, and the function of exhausting and heat dissipation of the house can be enhanced, which is helpful for fire sprinkler and air conditioning system.



## Installation



## Accessories



Hanger Rod

Carrier

O-Baffle Profile

Cover

Collection

Type PRTH-18003	Thickness 0.8/0.9mm	Type PRTH-18002	Thickness 0.8mm	Type PRTH-18004	Thickness 0.9/1.0/1.4mm
Type PRTH-18005	Thickness 0.7/0.8/1.0mm	Type PRTH-18006	Thickness 0.9/1.0/1.2mm	Type PRTH-18173	Thickness 1.0mm
Type PRTH-18007	Thickness 0.8/0.9/1.0/1.2mm	Type PRTH-18008	Thickness 0.8/0.9/1.0/1.2mm	Type PRTH-18009	Thickness 0.9/1.2mm
Type PRTH-18010	Thickness 0.9/1.0mm	Type PRTH-18114	Thickness 0.9mm	Type PRTH-18012	Thickness 1.0mm

Collection

Type PRTH-18011	Thickness 1.0mm	Type PRQY-005-263	Thickness 1.0mm	Type PRTH-18220	Thickness 0.9mm
Type PRTH-18081	Thickness 1.0mm	Type PRTH-18088	Thickness 1.0mm	Type PRTH-18115	Thickness 1.4mm
Type PRQY-69172	Thickness 1.2mm	Type PRQY-18192	Thickness 1.3mm		



## A-Baffle



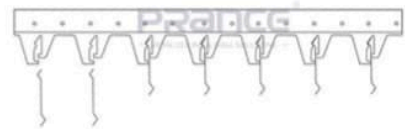
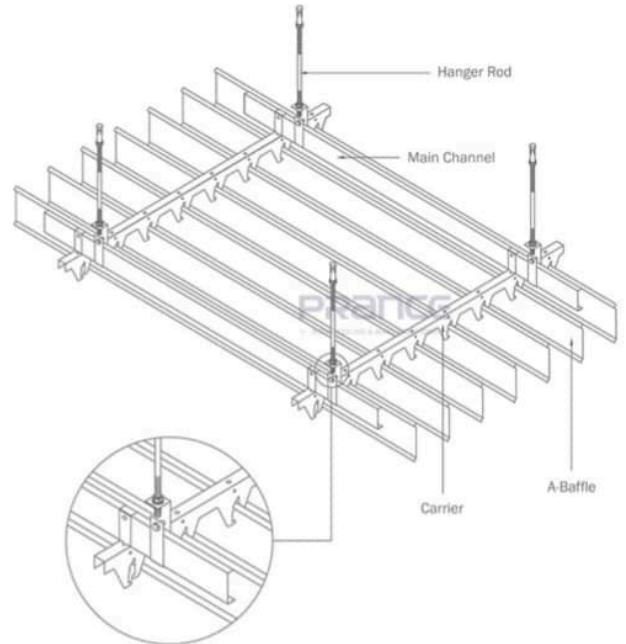
- Shape: Rectangle
- Material: Grade AA aluminum alloy
- Perforation: Standard or customized choice
- Design Type: Various of Surface Finishes and color
- Installation System: In-line type installation of carrier

Height	100	150	200	300
Length	1-5000			
Thickness	0.5-1.0			

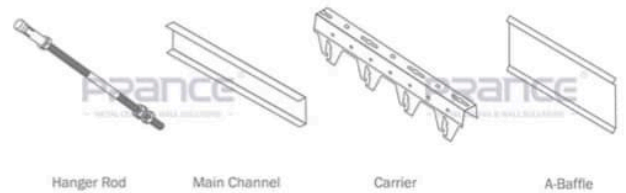
Unit: mm



## Installation



## Accessories



Hanger Rod

Main Channel

Carrier

A-Baffle

## 7-Baffle



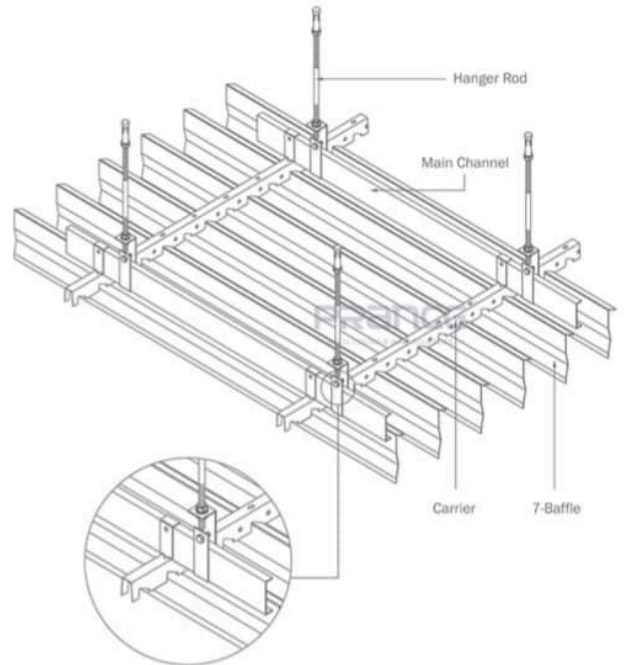
- Shaped: Rectangle
- Kind of punch: More model and design of you choice
- Workmanship: Compression moulding forming
- Installation system: In-line type installation of carrier
- Use type: Special size, punch kind, color of surface and custom-made
- Material: Grade AA aluminum alloy

Height	100	150	200	300
Length	1-5000			
Thickness	0.5-1.0			

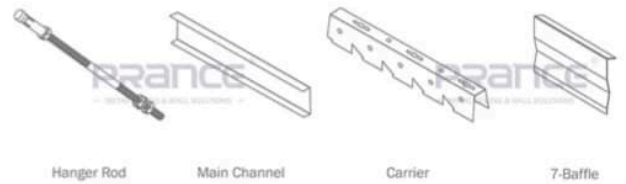
Unit: mm



## Installation



## Accessories



## Droplet Baffle



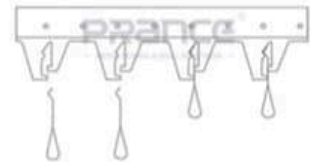
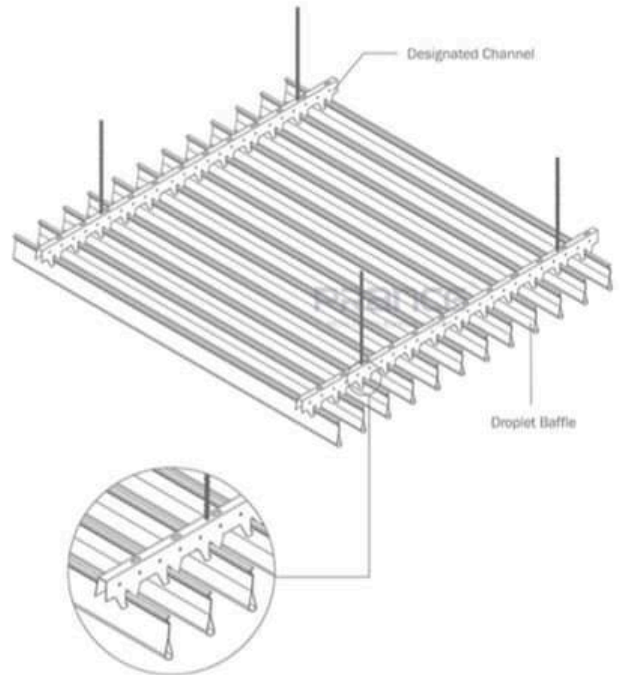
### • Feature

The Droplet Baffle is named after its shape resembles the shape of a drop of water. The water drop hanging piece is made of high-quality aluminum material, and is formed by straightening and laminating the mold, and the product has good hardness and straightening effect.

The Droplet Baffle is transparent and bright, its lines are bright and elegant, and the layers are distinct. Through the height, direction and illumination and color changes of the panel, the ceiling is more dynamic, the dripping blades are soft, the lines are smooth, and at the same time give one A wonderful effect like "raindrops".



## Installation



## Accessories



Hanger Rod

Designated Channel

Droplet Baffle



## Droplet Profile

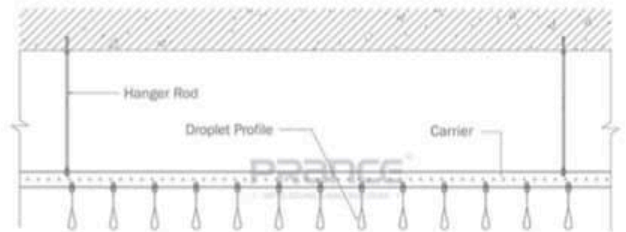
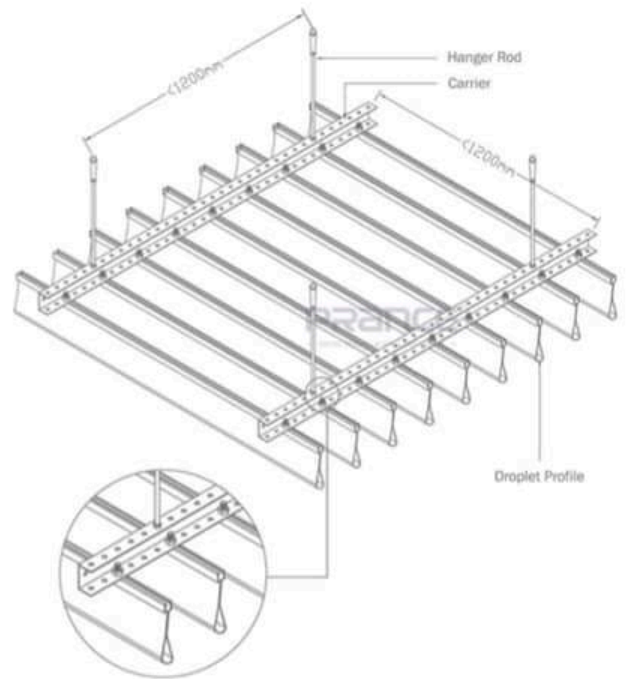


### • Feature

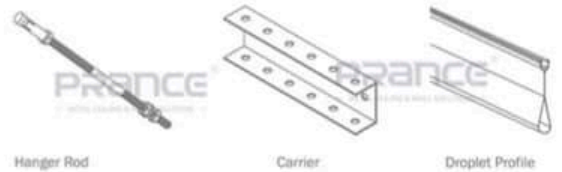
1. Open space through
2. A high degree of consistency, with neatly
3. In favor of prescribed aircraft systems
4. Color uniform, the indoor use of the same color quality and 10 years
5. Connected firm can be repeated for each Assembly and Disassembly
6. Easy to match a variety of lamps and fixtures
7. To facilitate equipment maintenance



## Installation



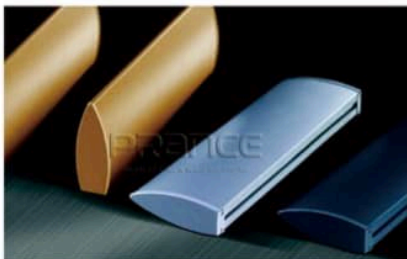
## Accessories



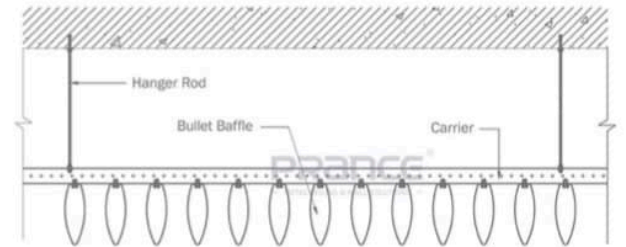
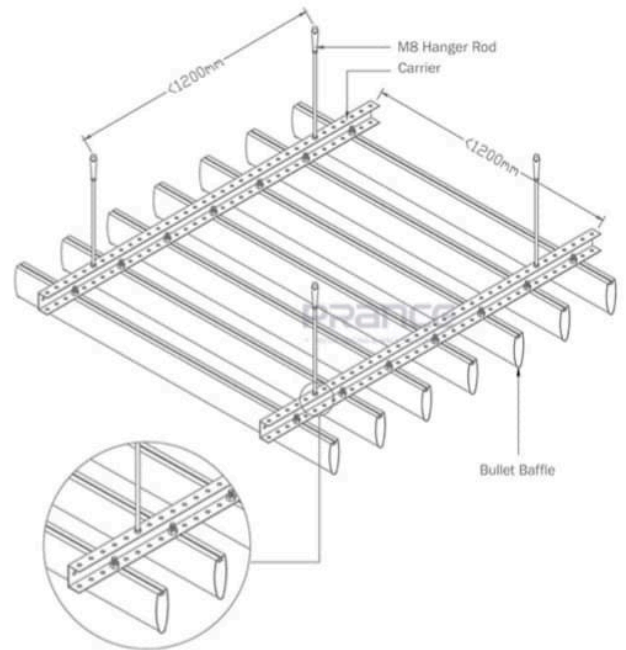
## Bullet Baffle



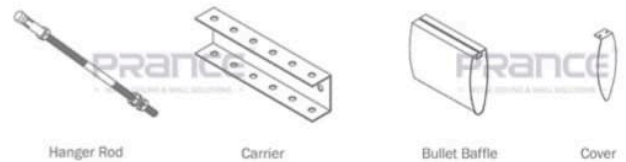
- Feature
- 1. Unique bullet-shaped coiling profile
- 2. Aluminum extrusion, with optional end cap
- 3. Sliding connecting coupler to supporting profile offers multiple modulation design



## Installation



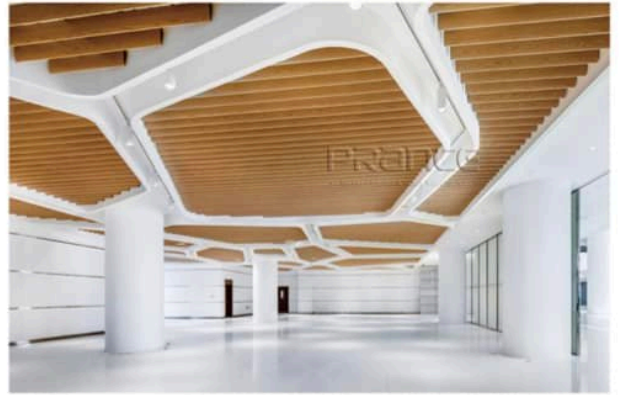
## Accessories



Collection

Type	Thickness	Type	Thickness	Type	Thickness	Type	Thickness
PRGY-25028	1.3mm	PR-005-305	0.8mm	PRTH-18246	0.8mm	PRTH-18019	1.0mm
Type	Thickness	Type	Thickness	Type	Thickness	Type	Thickness
PRTH-18062	0.9mm	PRTH-18020	0.9mm	PRTH-18106	1.0mm	PRTH-18021	1.2mm
Type	Thickness	Type	Thickness	Type	Thickness	Type	Thickness
PR-18273	1.3/1.8mm	PRTH-18102	1.0mm	PRTH-18215	0.9mm	PRTH-18063	1.0mm
Type	Thickness	Type	Thickness	Type	Thickness		
PRTH-18064	1.4/2.0mm	PRTH-18174	1.65mm	PRTH-18113	1.5mm		

Bullet Baffle





## Grid Ceiling



### • Feature

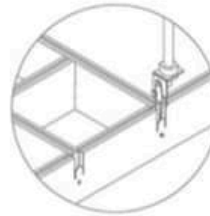
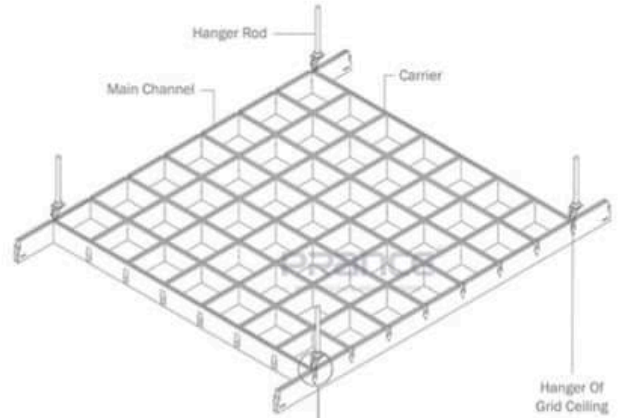
1. Simple structure, with multiple modulation to suit for different design
2. Jointless unit design, easy installation
3. Unique frame structure to improve operating efficiency

Height	40	45	50	60	80
Width	10	10	10/15	15	15
Thickness	0.4-0.6				

Unit: mm



## Installation



## Accessories



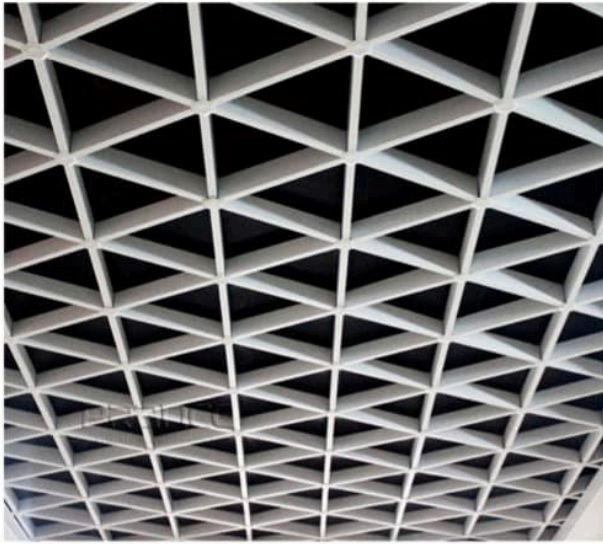
Hanger Rod

Main Bar

Cross Bar

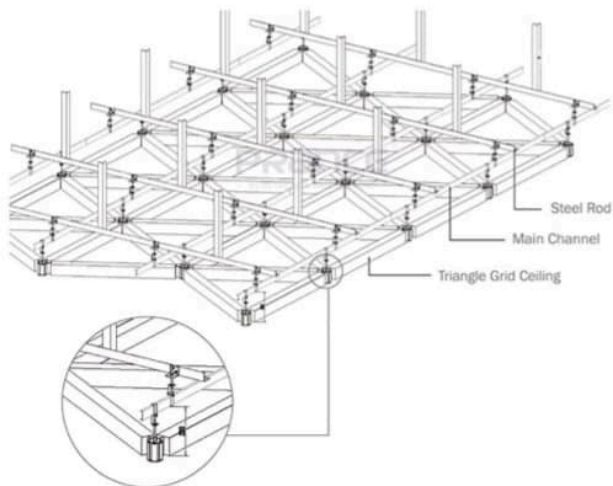
Hanger

## Triangle Grid Ceiling



- Feature  
Fast and Easy-to-install unique Open Ceiling suspension system is a piece of art-work in looking. It becomes the designer's options, which are available in rich, unusual visuals.

## Installation



## Collection

Type PR-25141	Thickness 1.2mm	Type PR-25140	Thickness 0.8mm	Series 25
Type PRGY-69259	Thickness 1.2mm	Type PRGY-69260	Thickness 1.0mm	Series 25
Type PRGY-25142	Thickness 1.2mm	Type PRGY-25139	Thickness 0.8mm	Series 40
Type PRGY-69203	Thickness 1.5mm	Type PRGY-69204	Thickness 1.04mm	Series 50

## Thermal Wood Transfer Color Chart



## PVDF Color Chart



## Standard Color



Custom Wood Color also available.  
\* Due to printing limitations, shade may vary from actual product.