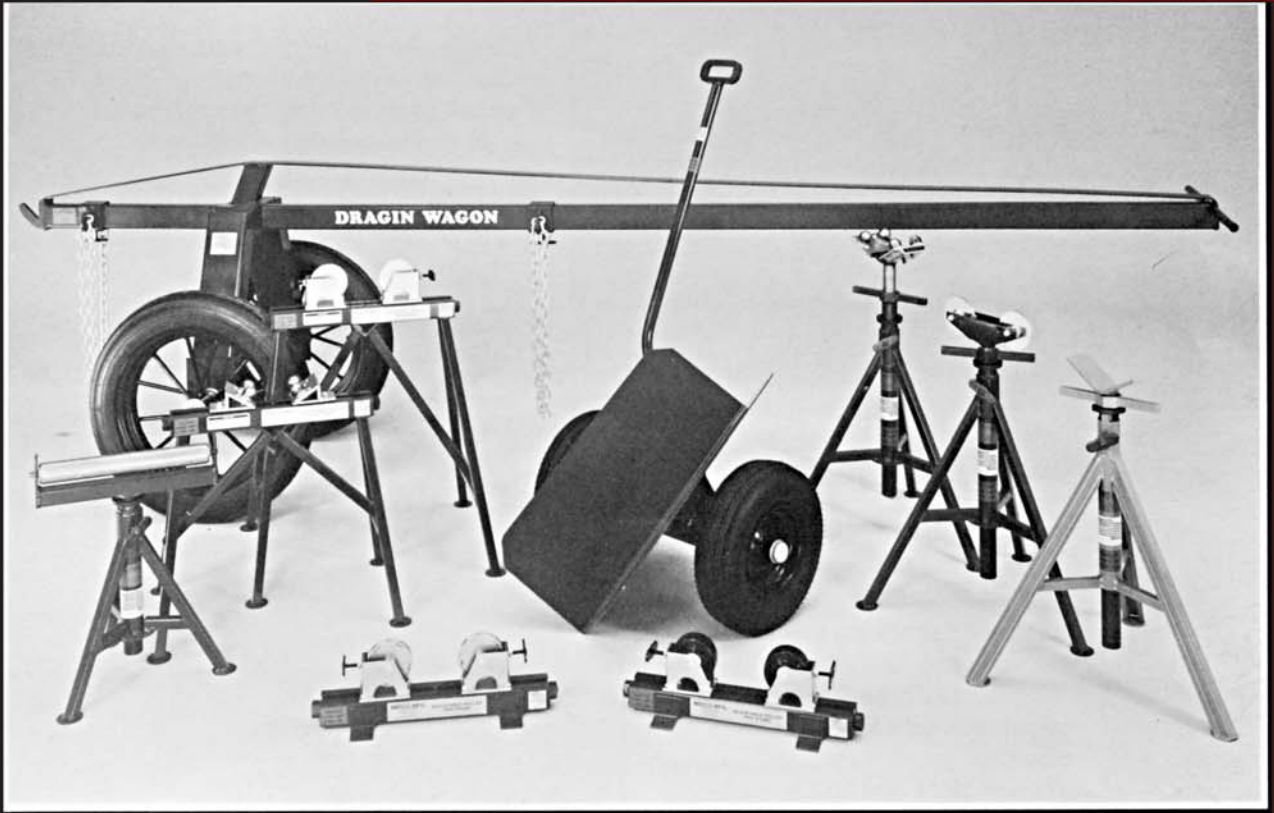




MIDCO

MANUFACTURING, INC.



*THE BEST
TOOLS IN
THE INDUSTRY
FOR WELDING
MAKE-UP &
MATERIAL
HANDLING.*

MIDCO MANUFACTURING, INC.

11703 PENTECOST HWY. • ONSTED, MI 49265
TELEPHONE: 517-467-2222 FAX: 517-467-7177

E-Mail: info@midcomanufacturing.com
www.midcomanufacturing.com

Adjustable Roller Stands



Tabletop Roller Stands

For maximum stability the full line of MIDCO tabletop roller stands are built to the specifications of heavy industrial standards.

Once mounted to any flat and stable surface, the tabletop roller stand will easily adjust to fit pipe from 1/2" to 48" in diameter.

Part No.	Description	Load Limit
MM-1551	w/Steel Wheels	2,500 lbs.
MM-1552	w/Ball Transfer Head	1,000 lbs.
MM-1553	w/Rubber Wheels	1,000 lbs.
MM-1554	w/Stainless Steel Wheels	2,500 lbs.

Stainless steel or rubber wheels easily lock in position with a quick turn of a setscrew.

The ball transfer head allows for the rotation of pipe as well as sliding lengthwise for greatest variety of movement and the bearings will not arc.

The MIDCO Tabletop Roller Stands will make it easy to position pipe: fit, tack, rotate and weld pipe in one easy set-up.

"Hi Rolls" and "Lo Rolls" Roller Stands

The MIDCO line of Hi Rolls and Lo Rolls are built for stability as well as portability on all your pipe handling needs.

With the Hi Rolls weighing only about 33 lbs. and the Lo Rolls weighing only 31 lbs. these durable roller stands allow easy placement at your jobsite.

The Acme Threads will quickly adjust to fit pipe from 1/2" to 48" in diameter.

The Hi Rolls and Lo Rolls with steel, stainless steel or rubber wheels easily lock in position with a quick turn of a setscrew.

The ball transfer head allows for the rotation of pipe as well as sliding lengthwise for greatest variety of movement and the bearings will not arc.

The MIDCO Hi Rolls and Lo Rolls will make handling pipe easy as you fit, tack, rotate and weld.



"Hi Roll" - 31" Roller Stands

Part No.	Description	Load Limit
MM-1651	w/Steel Wheels	2,500 lbs.
MM-1652	w/Ball Transfer Head	1,000 lbs.
MM-1653	w/Rubber Wheels	1,000 lbs.
MM-1654	w/Stainless Steel Wheels	2,500 lbs.

"Lo Roll" - 24" Roller Stands

Part No.	Description	Load Limit
MM-1751	w/Steel Wheels	2,500 lbs.
MM-1752	w/Ball Transfer Head	1,000 lbs.
MM-1753	w/Rubber Wheels	1,000 lbs.
MM-1754	w/Stainless Steel Wheels	2,500 lbs.

MIDCO MANUFACTURING, INC.

11703 PENTECOST HWY. • ONSTED, MI 49265

TELEPHONE: 517-467-2222

FAX: 517-467-7177

E-Mail: info@midcomanufacturing.com • www.midcomanufacturing.com



Pipe Jacks

Versatile Pipe Jack Heads

The MIDCO line of pipe jacks come in a variety of styles. With a choice of seven different head styles and five different types of stands, we're sure that you can find one(s) that can serve the exact needs of your jobsite.

Steel "Vee" Head - Our standard head, also available in stainless steel. Handles pipe 1/2" to 48" in diameter, copper and aluminum tubing, PVC, threaded rod and re-rod.

Steel Roller Head - For easy rotation. Excellent for welding, it also is available in stainless steel. Handles pipe 1/2" to 48" in diameter.

Ball Transfer Head - Offers a variety of movement for welding lengthwise as well as in rotation, it also works well for helping thread pipe into position. Ball transfer heads quickly unbolt to give standard "Vee" Head applications. Handles pipe 1/2" to 48" in diameter.

Rubber Wheel Head - Will not scuff painted or chrome plated surfaces. Will give additional (but not complete) protection from electric shock from arc welding. Handles pipe 1/2" to 48" in diameter.

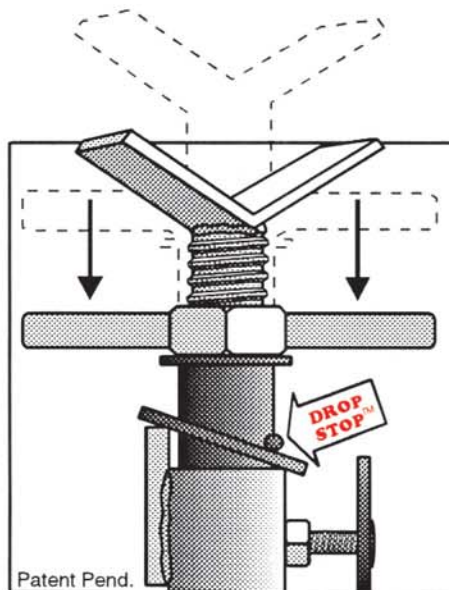
Bar Stock Head - For lengthwise movement of flat stock. Handles metal bars, lumber, lengths of formed steel and square tubing.

All MIDCO pipe jack heads come with an Acme-threaded shaft (except for the Bar Stock Head) for precision height adjustment.



The Drop Stop™

We at MIDCO are proud to establish a new *standard safety* feature now available on our entire line of pipe jacks. **The Drop Stop™** creates a 1" safety zone while releasing the lock washer keeping the pipe jack head from causing hand injuries when the lock washer is released.



Durable Pipe Jack Heads

MIDCO pipe jack stands are of a sturdy all steel construction. All parts are interchangeable and depending on the head you choose they will support up to 2,000 lbs.

Available Styles: Journeyman Hi Jack, Journeyman Lo Jack, Heavy Duty Hi Jack, Heavy Duty Lo Jack and the Handy Jack.



Steel "Vee" Head



Roller Head



Ball Transfer Head



Rubber Wheel Head



Bar Stock Head



Large "Vee" Roller Head



Large "Vee" Head

MIDCO MANUFACTURING, INC.

11703 PENTECOST HWY. • ONSTED, MI 49265

TELEPHONE: 517-467-2222

FAX: 517-467-7177

E-Mail: info@midcomanufacturing.com • www.midcomanufacturing.com



Pipe Jacks

Journeyman Pipe Jacks

The MIDCO Journeyman Pipe Jack is made to withstand the standard abuse of just about any jobsite, yet it is economically priced.

Durable all steel construction, formed steel legs and fully interchangeable parts are just a few of the features of the Journeyman Pipe Jacks.

Available in two sizes; the Hi Jack - 28" to 50" and the Lo Jack - 20" to 36". Both models quickly adjust to position and lock to the height you want with a turn of a setscrew. For fine height adjustments the Journeyman Hi/Lo Pipe Jacks come with Acme threads on all but the Bar Stock Head.

With a choice of seven head styles, the MIDCO Journeyman Pipe Jack will adapt to just about any of your jobsite needs.



Journeyman "Lo Jacks" - 20" to 36"

Part No.	Description	Load Limit
MM-1351	w/Vee Head	2,500 lbs.
MM-1352	w/Roller Head	2,000 lbs.
MM-1353	w/Bar Stock Head	1,000 lbs.
MM-1354	w/Stainless Steel Rollers	2,000 lbs.
MM-1355	w/Stainless Steel Vee Head	2,000 lbs.
MM-1356	w/Ball Transfer Head	1,000 lbs.
MM-1357	w/Rubber Wheels	1,000 lbs.

Journeyman "Hi Jacks" - 28" to 50"

Part No.	Description	Load Limit
MM-1251	w/Vee Head	2,500 lbs.
MM-1252	w/Roller Head	2,000 lbs.
MM-1253	w/Bar Stock Head	1,000 lbs.
MM-1254	w/Stainless Steel Rollers	2,000 lbs.
MM-1255	w/Stainless Steel Vee Head	2,000 lbs.
MM-1256	w/Ball Transfer Head	1,000 lbs.
MM-1257	w/Rubber Wheels	1,000 lbs.



Heavy Duty Pipe Jacks

The MIDCO Heavy Duty Pipe Jack has all the standard features of the Journeyman Pipe Jack but is made to last for years of service on the jobsite.

Sturdy all steel construction, steel pipe legs and fully interchangeable parts are standard features of the Heavy Duty Hi/Lo Pipe Jacks.

The Hi Jack - 28" to 50" and the Lo Jack - 20" to 36" quickly adjust to position and lock to the height you want with a turn of a setscrew.

The MIDCO Heavy Duty Pipe Jack will give you years of dependable service on your jobsite.

Heavy Duty "Lo Jacks" - 20" to 36"

Part No.	Description	Load Limit
MM-1151	w/Vee Head	3,200 lbs.
MM-1152	w/Roller Head	2,000 lbs.
MM-1153	w/Bar Stock Head	1,000 lbs.
MM-1154	w/Stainless Steel Rollers	2,000 lbs.
MM-1155	w/Stainless Steel Vee Head	2,000 lbs.
MM-1156	w/Ball Transfer Head	1,000 lbs.
MM-1157	w/Rubber Wheels	1,000 lbs.

Heavy Duty "Hi Jacks" - 28" to 50"

Part No.	Description	Load Limit
MM-1051	w/Vee Head	3,200 lbs.
MM-1052	w/Roller Head	2,000 lbs.
MM-1053	w/Bar Stock Head	1,000 lbs.
MM-1054	w/Stainless Steel Rollers	2,000 lbs.
MM-1055	w/Stainless Steel Vee Head	2,000 lbs.
MM-1056	w/Ball Transfer Head	1,000 lbs.
MM-1057	w/Rubber Wheels	1,000 lbs.

MIDCO MANUFACTURING, INC.

11703 PENTECOST HWY. • ONSTED, MI 49265

TELEPHONE: 517-467-2222

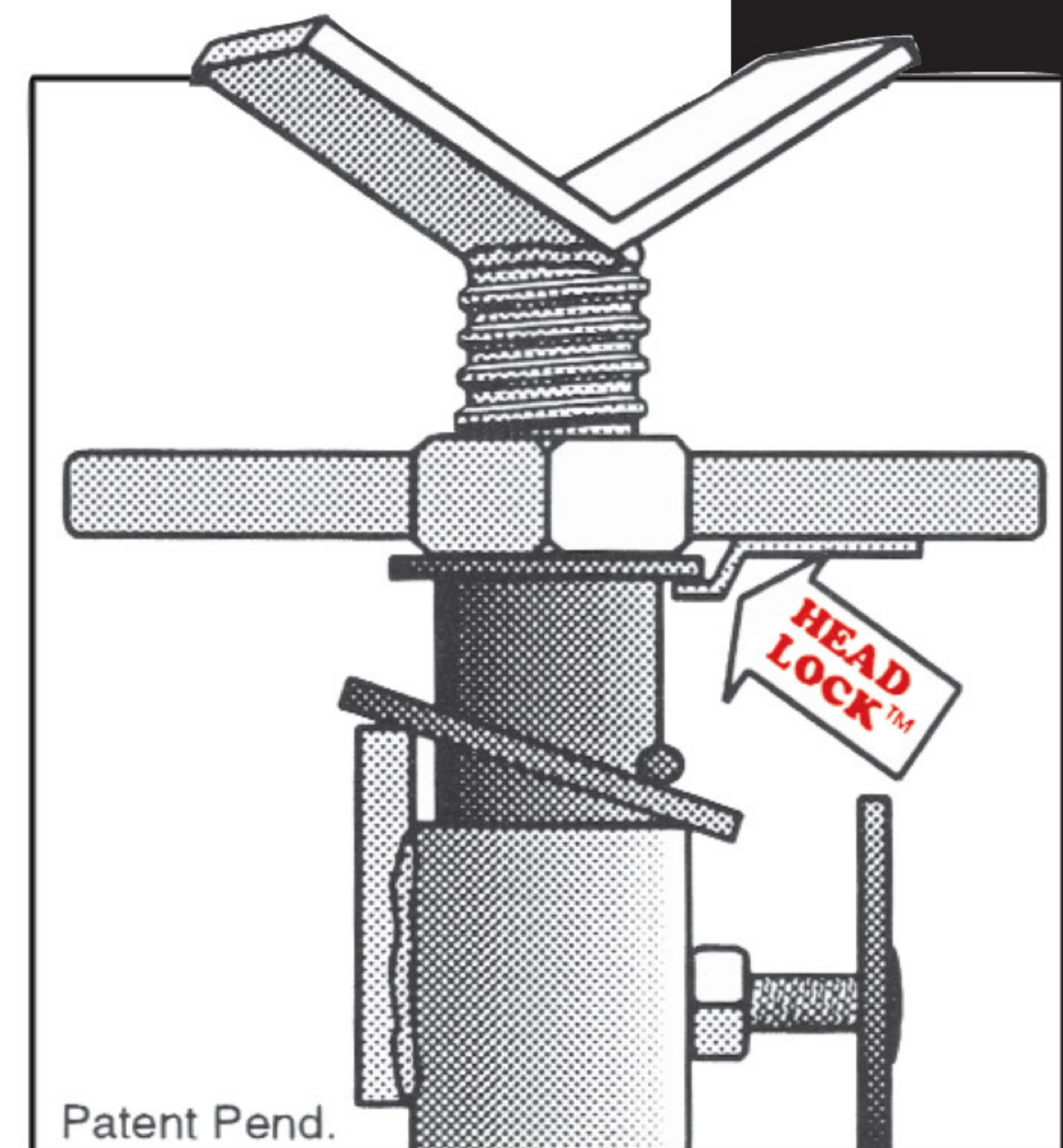
FAX: 517-467-7177

E-Mail: info@midcomanufacturing.com • www.midcomanufacturing.com



Pipe Jacks

Handy Jacks



Now available on the Handy Jack. Our new Head Lock™ prevents the pipe jack head from sliding free from the ID tube making the Handy Jack even easier to carry.

The MIDCO Handy Jack is made with the same quality craftsmanship as the rest of the MIDCO pipe jack but with a new twist. The Handy Jack's legs fold up to easily fit in your tool box or truck. Easy to carry and built to withstand the standard abuse of just about any jobsite.

All steel construction, formed steel legs and fully interchangeable parts are just a few of the standard features of the Journeyman Pipe Jacks.

The Handy Jack quickly adjusts to a height of 28" to 50" and locks to the height you want with a turn of a setscrew.

For fine height adjustments the Journeyman Hi/Lo Pipe Jacks come with Acme threads (*not available with the Bar Stock Head*).

With a choice of seven head styles, the MIDCO Handy Jack can be made to fit any of your jobsite needs.



The Handy Jack will fold up easily for convenient storage and portability.

"Handy Jacks" - 28" to 50"

Part No.	Description	Load Limit
MM-2051	w/Vee Head	3,000 lbs.
MM-2052	w/Roller Head	2,000 lbs.
MM-2053	w/Bar Stock Head	1,000 lbs.
MM-2054	w/Stainless Steel Rollers	2,000 lbs.
MM-2055	w/Stainless Steel Vee Head	2,000 lbs.
MM-2056	w/Ball Transfer Head	1,000 lbs.
MM-2057	w/Rubber Wheels	1,000 lbs.

MIDCO MANUFACTURING, INC.

11703 PENTECOST HWY. • ONSTED, MI 49265

TELEPHONE: 517-467-2222

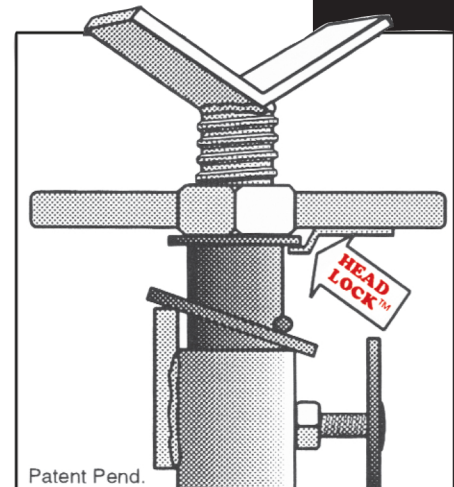
FAX: 517-467-7177

E-Mail: info@midcomanufacturing.com • www.midcomanufacturing.com



Pipe Jacks

Handy Jacks



Now available on the Handy Jack. Our new Head Lock™ prevents the pipe jack head from sliding free from the ID tube making the Handy Jack even easier to carry.

The MIDCO Handy Jack is made with the same quality craftsmanship as the rest of the MIDCO pipe jack but with a new twist. The Handy Jack's legs fold up to easily fit in your tool box or truck. Easy to carry and built to withstand the standard abuse of just about any jobsite.

All steel construction, formed steel legs and fully interchangeable parts are just a few of the standard features of the Journeyman Pipe Jacks.

The Handy Jack quickly adjusts to a height of 28" to 50" and locks to the height you want with a turn of a setscrew.

For fine height adjustments the Journeyman Hi/Lo Pipe Jacks come with Acme threads (*not available with the Bar Stock Head*).

With a choice of seven head styles, the MIDCO Handy Jack can be made to fit any of your jobsite needs.



The Handy Jack will fold up easily for convenient storage and portability.

Part No.	Description	Load Limit
MM-2051	w/Vee Head	3,000 lbs.
MM-2052	w/Roller Head	2,000 lbs.
MM-2053	w/Bar Stock Head	1,000 lbs.
MM-2054	w/Stainless Steel Rollers	2,000 lbs.
MM-2055	w/Stainless Steel Vee Head	2,000 lbs.
MM-2056	w/Ball Transfer Head	1,000 lbs.
MM-2057	w/Rubber Wheels	1,000 lbs.

MIDCO MANUFACTURING, INC.

11703 PENTECOST HWY. • ONSTED, MI 49265

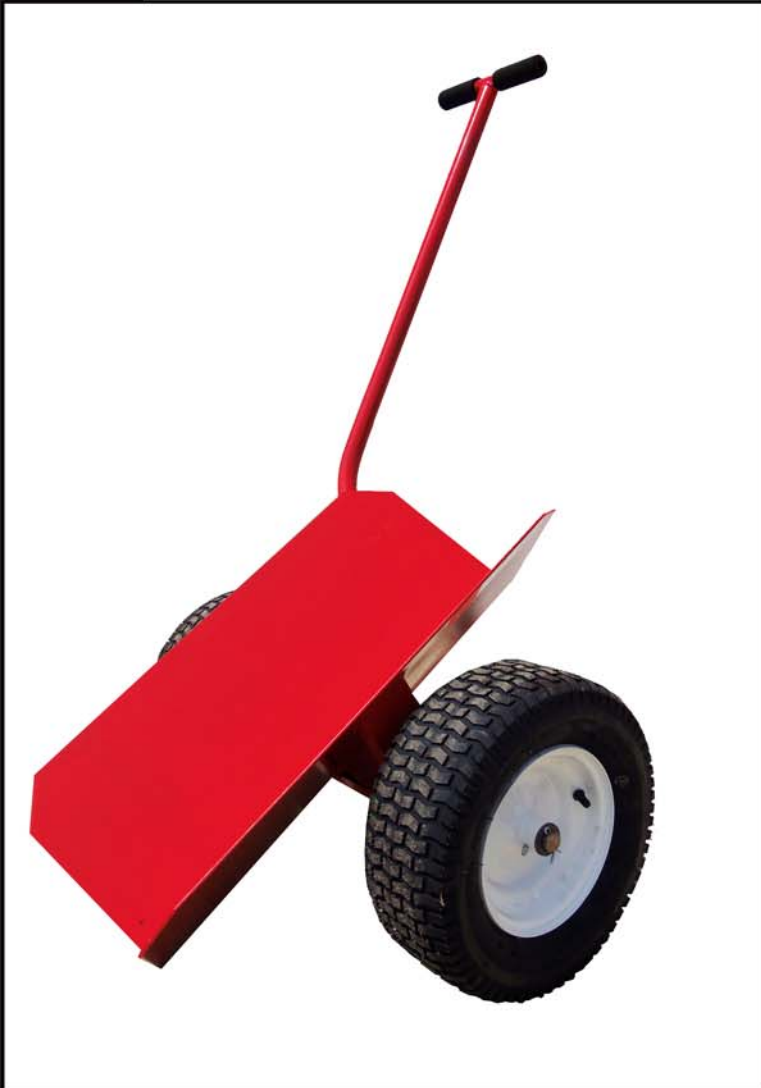
TELEPHONE: 517-467-2222

FAX: 517-467-7177

E-Mail: info@midcomanufacturing.com • www.midcomanufacturing.com



MIDCO "Tunnel Buggy"



Moving heavy pipe around the jobsite couldn't be much easier than with the MIDCO "Tunnel Buggy".

The Tunnel Buggy is built to endure jobsite abuse. It's constructed of a heavy duty 3/16" plate steel and is still of a lightweight design, (only weighing 90 lbs.) that allows for easy storage and handling.

With a maximum load capacity of 1,000 lbs. you will also find the Tunnel Buggy useful in carrying lumber, tool boxes, and a wide variety of valves and fittings.

Load Capacity:

Carries up to 20" diameter pipe

Load limit: 1,000 lbs.

Carrier bed: 3/16" x 12" x 12"

Tunnel Buggy Specifications:

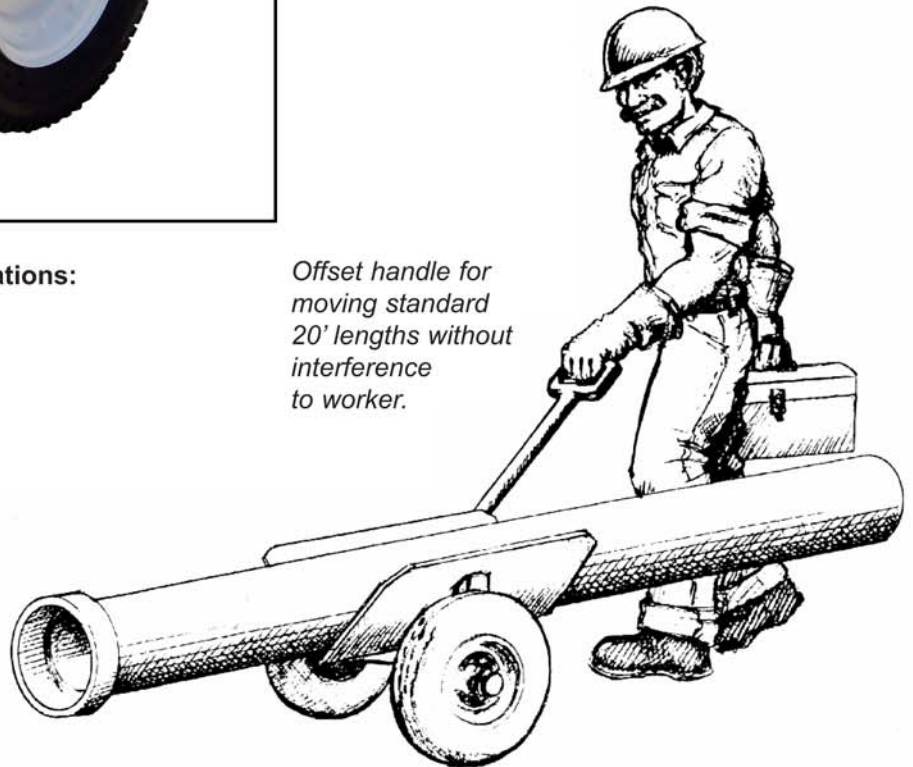
Part No. MTB-101

Weight: 90 lbs.

Length: 27"

Gauge: 3/16" plate steel

Offset handle for moving standard 20' lengths without interference to worker.



MIDCO MANUFACTURING, INC.

11703 PENTECOST HWY. • ONSTED, MI 49265

TELEPHONE: 517-467-2222

FAX: 517-467-7177

E-Mail: info@midcomanufacturing.com • www.midcomanufacturing.com

Adjustable Roller Stands

5-Legged Roller Stand



The Midco 5-Legged Roller Stand has a large 21" vee head with a heavy duty 5-legged stand design that offers a maximum margin of safety for use on pipe up to a 36" diameter.

Pipe use to 2,500 lbs. Can be wheeled with ease, saving on lifting and handling. Great for leveling loads during fit up.

Part No.	Description	Load Limit
MM-1851	5-Legged Roller Stand	2,500 lbs.



MIDCO Steel "Big Vee" w/spanner nNut

Part No.	Description	Load Limit
MM-1051BV P30060	Big Vee Stand /Head Head, Big Vee	2,500 lbs.



MIDCO MANUFACTURING, INC.

11703 PENTECOST HWY. • ONSTED, MI 49265

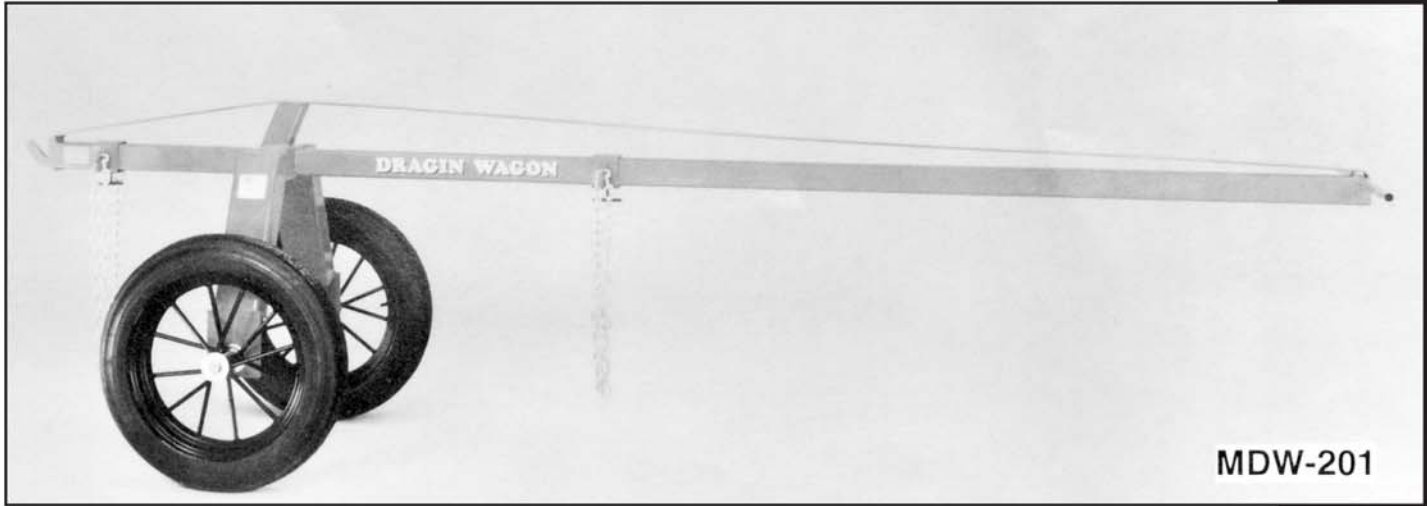
TELEPHONE: 517-467-2222

FAX: 517-467-7177

E-Mail: info@midcomanufacturing.com • www.midcomanufacturing.com

MIDCO "Dragin Wagon"

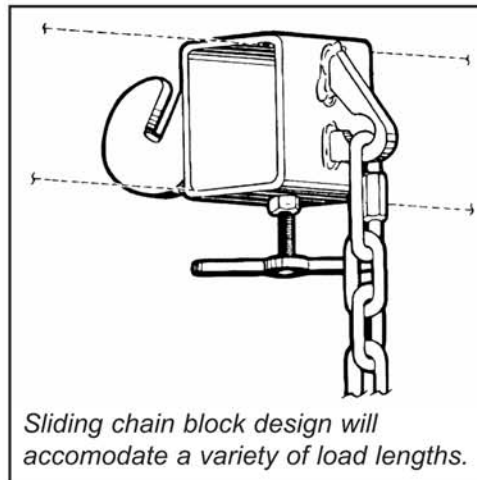
The MIDCO Dragin Wagon enables one person to transport loads up to 2,000 lbs. without assistance. With high-pressured tires and wheels with roller bearings, the Dragin Wagon moves easily over most construction site surfaces.



The MIDCO Dragin Wagon easily handles loads of piping up to 20" in diameter and 20' in length. It will also carry lumber, valves, fittings, tool boxes and many other unwieldy loads of equipment.

Dragin Wagon Specifications:

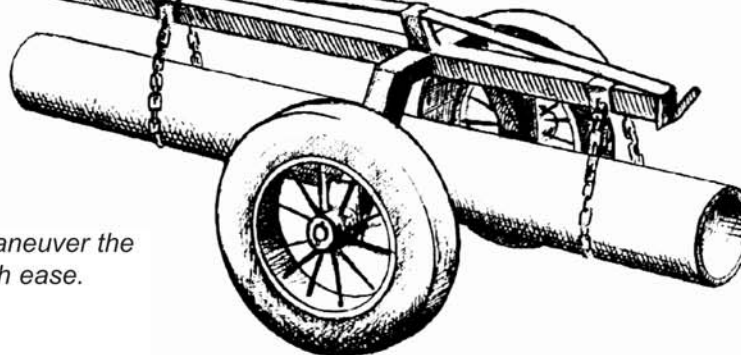
Part No. MDW-201 Length: 12'
Weight: 165 lbs. Width: 36"
Height: 40"



Sliding chain block design will accommodate a variety of load lengths.



Allows one person to maneuver the most awkward loads with ease.



Load Capacity:

Load limit: 2,000 lbs. Width: 20"
Length: 20' Height: 40"

MIDCO MANUFACTURING, INC.

11703 PENTECOST HWY. • ONSTED, MI 49265
TELEPHONE: 517-467-2222 FAX: 517-467-7177
E-Mail: info@midcomanufacturing.com • www.midcomanufacturing.com



MIDCO Parts Assembly

MIDCO, headquartered in Onsted, MI, is an industry-leading manufacturer of quality pipe jacks, versatile pipe jack heads, adjustable roller stands, tabletop roller stands, pipe positioning, pipe handling, pipe supports, material handling carts, reel jacks, and parts.

Customers of every type and size including - industrial, welders, construction, contractors, pipe fitters, pipe handlers, oil refineries, plumbing, chemical, food and beverage processing, water and countless others rely on MIDCO products and tools to meet their jobsite needs.

MIDCO is an innovative manufacturer, which not only offers its customers our comprehensive standard product lines, but also provides modified standard and custom products to meet customers' unique application requirements.

We invite you to explore our Web Site to learn the many ways MIDCO's quality tools and equipment can help make your job easier.

If you have any questions, comments or to find an authorized distributor near your location, please contact MIDCO's corporate headquarters.

WWW.MIDCOMANUFACTURING.COM

Dragin Wagon Parts

Part No.	Description
DW-4	Setscrew Assy. (C-110-W)
DW-5	Chains set, Dragin Wagon

Pipe Jack Parts

Part No.	Description
HLPJ-1	Head, barstock, Pipe Jack
HLPJ-2	Head, ball transfer (pair), Pipe Jack
HLPJ-3	Barrel, ID, Hi Jack
HLPJ-4	Barrel, ID, Lo Jack
HLPJ-5	Base Assy., Heavy duty, Hi Jack
HLPJ-6	Base Assy., Heavy duty, Lo Jack
HLPJ-7	Head, vee w/spanner nut, Pipe Jack
HLPJ-8	Spanner nut, Pipe Jack
HLPJ-9	Setscrew, Pipe Jack
HLPJ-10	Lockwasher, Pipe Jack

Part No.	Description
HLPJ-11	Head, roller wheel, w/spanner nut
HLPJ-12	Stainless steel wheel, Pipe Jack
HLPJ-13	Head, vee, stainless steel, w/spanner nut
HLPJ-14	Head, rubber wheel, w/spanner nut
HLPJ-15	Head, roller wheel, stainless steel, w/spanner nut
HLPJ-16	Base Assy., Journeyman Hi Jack
HLPJ-17	Base Assy., Journeyman Lo Jack
HLPJ-18	Roller Housing with no wheels
HLPJ-19	Base Assy., Handy Jack

Adjustable Roller Parts

Part No.	Description
ARP-1	Barrel Assy., less wheel housing
ARP-2	Roller housing only, w/bolts
ARP-3	Steel wheel w/assy., (C-111-W)
ARP-4	Ball transfer head Assy., w/bolts

Part No.	Description
ARP-5	Ball only Assy.
ARP-6	Rubber wheel w/assy.
ARP-7	Setscrew Assy., (C-110-W)
ARP-8	Spacer for ADM-3/AD-9B housing



MIDCO MANUFACTURING, INC.

11703 PENTECOST HWY. • ONSTED, MI 49265

TELEPHONE: 517-467-2222

FAX: 517-467-7177

E-Mail: info@midcomanufacturing.com • www.midcomanufacturing.com



Adjustable Roller Stands



Master Jack

The Midco Master Jack has a large 21" vee head with a heavy duty 5-legged stand design the offer a maximum margin of safety for use on pipe up to a 36" diameter.

Pipe use to 2,500 lbs. Can be wheeled with ease, saving on lifting and handling. Great for leveling loads during fit up also.

Part No.	Description	Load Limit
MM-1851	Master Jack	2,500 lbs.



MIDCO Steel "Big Vee" w/spanner nNut

Part No.	Description	Load Limit
P30060	Big Vee	2,500 lbs.

Available in 60 deg OR 90 deg



MIDCO MANUFACTURING, INC.

11703 PENTECOST HWY. • ONSTED, MI 49265

TELEPHONE: 517-467-2222

FAX: 517-467-7177

E-Mail: info@midcomanufacturing.com • www.midcomanufacturing.com