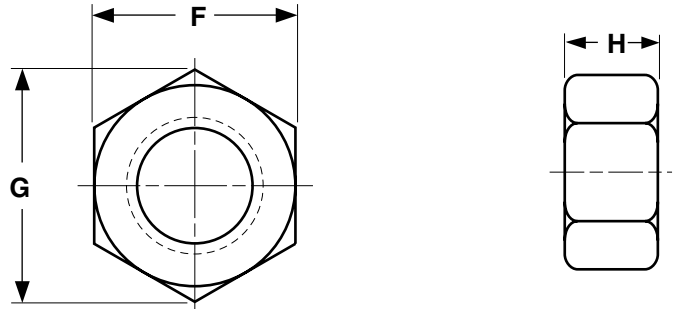




CENLA BOLTS & SUPPLY



Grade 2H Heavy Hex Nuts

Nominal Size or Basic Major Diameter of Thread		F Width Across Flats			G Width Across Corners		H Thickness		
		Basic	Max	Min	Max	Min	Basic	Max	Min
1/4	0.2500	1/2	0.500	0.488	0.577	0.556	15/64	0.250	0.218
5/16	0.3125	9/16	0.562	0.546	0.650	0.622	19/64	0.314	0.280
3/8	0.3750	11/16	0.688	0.669	0.794	0.763	23/64	0.377	0.341
7/16	0.4375	3/4	0.750	0.728	0.866	0.830	27/64	0.441	0.403
1/2	0.5000	7/8	0.875	0.850	1.010	0.969	31/64	0.504	0.464
9/16	0.5625	15/16	0.938	0.909	1.083	1.037	35/64	0.568	0.526
5/8	0.6250	1-1/16	1.062	1.031	1.227	1.175	39/64	0.631	0.587
3/4	0.7500	1-1/4	1.250	1.212	1.443	1.382	47/64	0.758	0.710
7/8	0.8750	1-7/16	1.438	1.394	1.660	1.589	55/64	0.885	0.833
1	1.0000	1-5/8	1.625	1.575	1.876	1.796	63/64	1.012	0.956
1-1/8	1.1250	1-13/16	1.812	1.756	2.093	2.002	1-7/64	1.139	1.079
1-1/4	1.2500	2	2.000	1.938	2.309	2.209	1-7/32	1.251	1.187
1-3/8	1.3750	2-3/16	2.188	2.119	2.526	2.416	1-11/32	1.378	1.310
1-1/2	1.5000	2-3/8	2.375	2.300	2.742	2.622	1-15/32	1.505	1.433
1-5/8	1.6250	2-9/16	2.562	2.481	2.959	2.828	1-19/32	1.632	1.556
1-3/4	1.7500	2-3/4	2.750	2.662	3.175	3.035	1-23/32	1.759	1.679
2	2.0000	3-1/8	3.125	3.025	3.608	3.449	1-31/32	2.013	1.925
2-1/4	2.2500	3-1/2	3.500	3.388	4.041	3.862	2-13/64	2.251	2.155
2-1/2	2.5000	3-7/8	3.875	3.750	4.474	4.275	2-29/64	2.505	2.401
2-3/4	2.7500	4-1/4	4.250	4.112	4.907	4.688	2-45/64	2.759	2.647
3	3.0000	4-5/8	4.625	4.475	5.340	5.102	2-61/64	3.013	2.893
3-1/4	3.2500	5	5.000	4.838	5.774	5.515	3-3/16	3.252	3.124
3-1/2	3.5000	5-3/8	5.375	5.200	6.207	5.928	3-7/16	3.506	3.370
3-3/4	3.7500	5-3/4	5.750	5.562	6.640	6.341	3-11/16	3.760	3.616
4	4.0000	6-1/8	6.125	5.925	7.073	6.755	3-15/16	4.014	3.862

ANSI/ASME B18.2.2