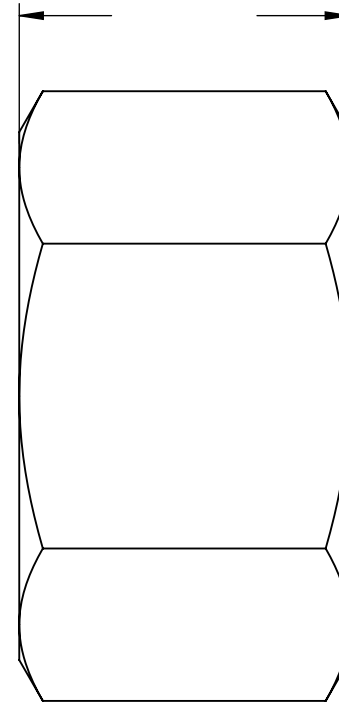
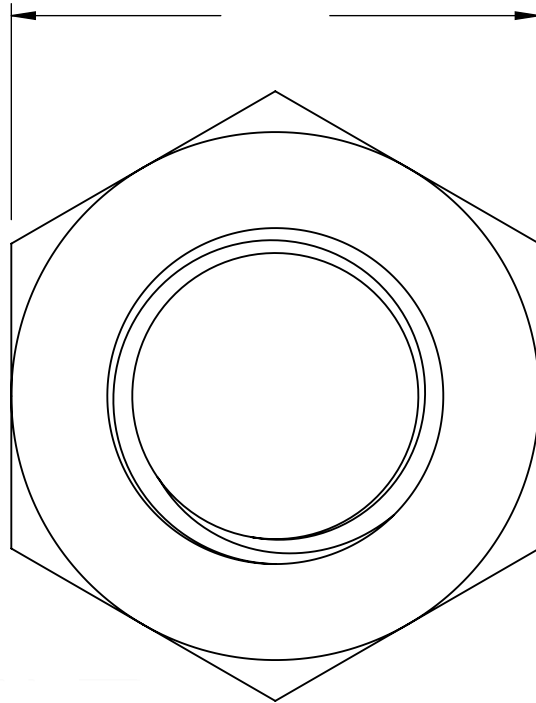
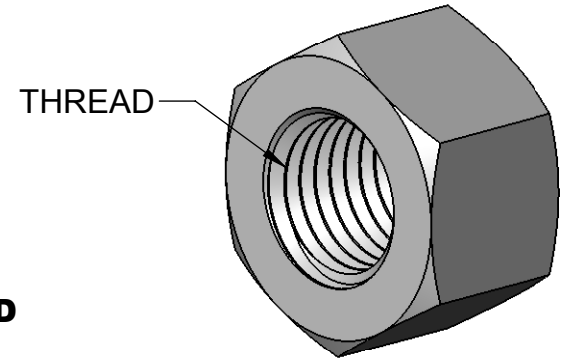


APPROVED BY: _____ DATE: _____

GRADE:

TYPE:

ALL NUTS SHALL BE STAMPED WITH MFG MARKINGS - MTRS REQUIRED



CENLA BOLTS & SUPPLY

	PART NUMBER
	Hex Nut