

BRADNAM'S

SLIDING DOORS

Endless possibilities across the range



Bradnam's
windows & doors

Capeview
building products

Sliding Door Range

No matter what the context or purpose may be, Bradnam's has a **sliding door** to suit. Our platform offer caters for all types of projects from renovations to standard design homes to unique, high-end homes or commercial applications.

Essential Sliding Doors

'Essential' sliding doors are our standard sliding door product. Designed with aesthetic, lifestyle and performance features firmly in mind, they're a practical way to maximise views and natural light in your home.

Signature Sliding Doors

Our 'Signature' sliding doors carefully tread the balance between practicality and style. With standard, oversize options and innovative corner and cavity configurations for indoor/outdoor living, you're sure to find a door that suits your home.

Commercial Sliding Doors

Our 'Commercial' collection features heavy-duty, easy-clean, stylish sliding doors available in a range of sizes, including oversize doors towering up to 3.1 metres in height. If you can't find the perfect sliding door for your needs and context, chances are we can help you through our commercial sliding door range.

Performance Parameters

	Essential	Signature	Commercial
Frame sizes	80mm 140mm	100mm 166mm	100mm / 150mm 200mm / 250mm
Maximum door height	2450mm	2700mm	3100mm
Maximum door width	6246mm	6246mm	12000mm
Maximum panel width	1350mm	1350mm	1800mm
Maximum panel weight	50kg	100kg	160kg
Maximum water rating	300pa	600pa	650pa
Maximum wind rating	3300Pa ULS	4500Pa ULS	6000Pa ULS
Maximum glass thickness (single glazed)	6.76mm	12.76mm	10.76mm
Maximum glass thickness (double glazed)	N/A	20mm	28mm
Maximum acoustic rating	Rw32	Rw44	Rw34
Maximum bushfire rating	BAL 40	BAL 40	BAL 40
Lowest U-value (single glazed)	3.5	4.2	4.5
Lowest U-value (double glazed)	N/A	2.7	3.1

The performance figures above do not apply to cavity configurations.

Features & Benefits

Essential . Signature . Commercial

Lifestyle & Comfort

- Curtain-friendly design protects door furnishings from sharp edges
- Easy cleaning design thanks to wide door tracks that can fit most vacuum heads
- Mortice locks fitted in standard handles for superior security
- Conveniently located key cylinders allow for easy operation

Optional

- Easy access for wheelchairs when you choose the low profile sill
- Wide range of screening solutions available

Design & Aesthetic

- Architectural symmetry with other Bradnam's windows and doors
- Available in a range of lifestyle configurations
- Stylish and modern handle

Performance & Reliability

- Effortless operation with our high-performance rollers
- Thorough protection against the elements with high-quality door seals
- Suitable for areas requiring high wind loads

Optional

- Bushfire rated – certified up to BAL 40

+ Premium Features

Signature & Commercial Doors Only

- Innovative corner and cavity configurations allow for the creation of luxury entertainment areas
- Architectural handle available
- Save on energy bills and reduce outside noise with double glazing
- Suitable for regions requiring high water pressure such as coastal areas

Commercial Doors only

- Doors up to 3.1 metres in height
- Door panels can be as wide as 1.8 metres providing large openings



Smart Solutions

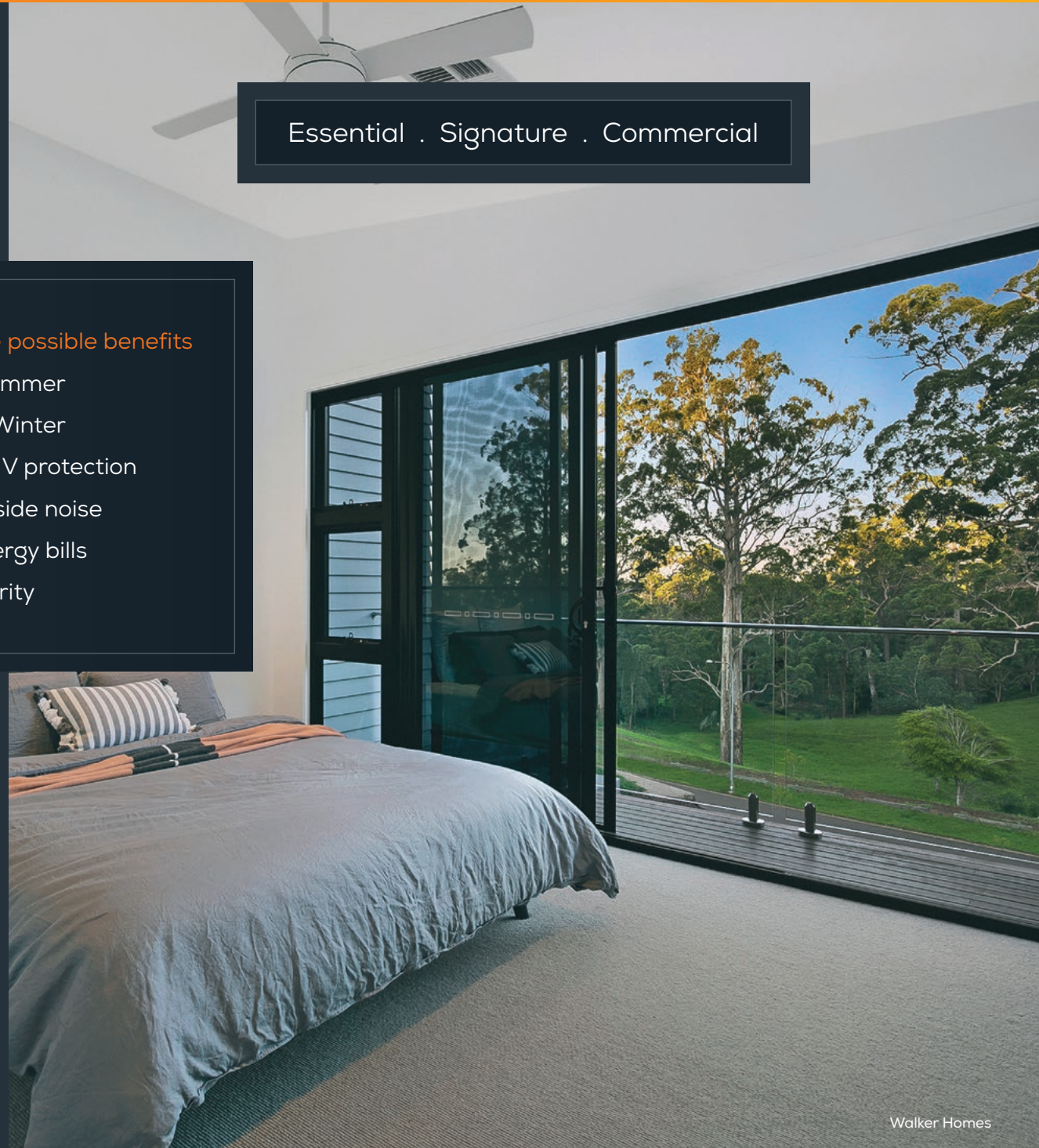
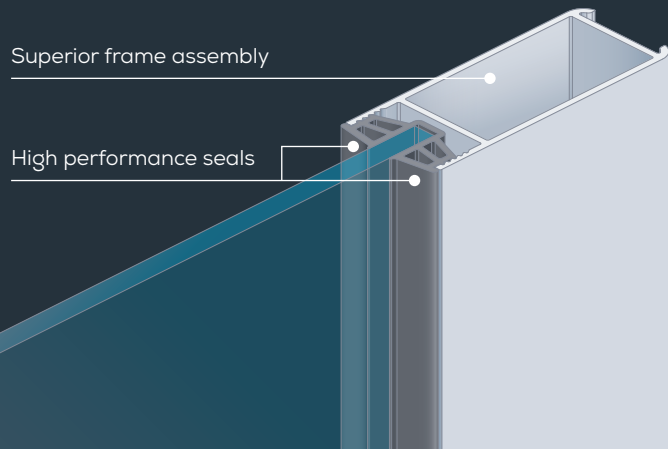
High Performance Windows and Doors

Essential . Signature . Commercial

Building in today's environment demands the need to satisfy energy, acoustics, security and bushfire requirements. Bradnam's **Smart Solutions** range is designed to augment all Essential, Signature and Commercial products to satisfy these needs.

- Some of the possible benefits
- Cooler in Summer
 - Warmer in Winter
 - Enhanced UV protection
 - Reduce outside noise
 - Save on energy bills
 - Added security

Performance comes from **more** than just glass



As the market leader in Australia for aluminium and glass building products, Bradham's have developed its range of **Smart Solutions** to meet all high performance requirements.

+ Premium Smart Solution

Double Glazed*

Year-round Comfort

- Acts as extra insulation by limiting the flow of hot or cold air in and out of your home
- Helps maintain comfortable temperatures inside across all seasons

Energy Reduction

- Reduce reliance on air conditioning and heaters – lowering electricity bills
- Consume less energy for a smaller carbon footprint

Noise Reduction

- Minimise outside noise – creating a quiet haven inside your home

Safety

- Extra strong resistance to unwanted attacks by intruders

* Not available in Essential

Climate Control Solutions

Solar Comfort™

Year-round Comfort

- Designed to reflect heat away in summer and keep heat inside during winter
- Enjoy the ideal temperature in your home all year round – cooler in summer, warmer in winter

Energy Reduction

- Keep power bills down by reducing the need for additional heating and cooling
- Help save the environment by consuming less energy

Solar Block™

Cooler in Summer

- Minimise the flow of heat into your home – enjoy summer without feeling the heat
- Acts like a pair of sunglasses for your home, reducing glare by up to 78%

Energy Reduction

- Save on electricity bills by reducing the need for air conditioners
- Minimise your carbon footprint by consuming less energy

Specialty Solutions

Safety*

Safety

- Effective, affordable barrier against forced entry
- Enjoy peace of mind knowing that your home has extra protection

Sound Smart™

Noise Reduction

- Reduce unwanted external noise – nearby traffic or noisy neighbours,

FlameShield™

Superior Bushfire Protection

- Meets Australian Standard AS3959:2009, which is aimed to reduce the risk of loss of life and property in bushfire prone areas

CORNER SLIDING DOORS

Signature . Commercial



Hardware

The hardware displayed on this page are a guide only. Bradnam's recommend the viewing of an actual hardware product prior to order.

	Black Matt	Black Gloss	White	Ultra Silver	Stainless Steel Finish
ESSENTIAL	•	•	•	•	
SIGNATURE		•	•	•	•
COMMERCIAL		•	•	•	•

ESSENTIAL

SIGNATURE

COMMERCIAL

Standard internal handle

Standard external handle

Low profile external handle



Lever locks the door without a key

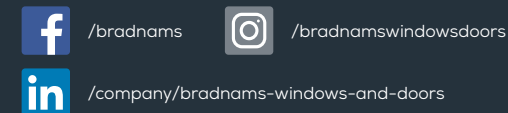
Mortise lock for improved security

Depth of low profile handle
19mm

CAVITY SLIDING DOORS



For more information call Bradnam's on
1300 WINDOWS 1300 946369
or visit bradnams.com.au



WINDOWS & DOORS

INSECT & SAFETY SCREENS

SHOWER SCREENS

MIRRORS & WARDROBES

GLASS SPLASHBACKS & SHELVING



Australian Owned & Made

Bradnam's products are proudly made in Australia and designed specifically to meet all Australian conditions.

Product availability, pricing, features, options, sizes, configurations and performance are subject to regional variations, design requirements and building codes.

Images are for illustration purposes only and may not accurately represent the product. Bradnam's Windows & Doors reserves the right to change, alter or delete any aspect of this product without notice. We recommend visiting a Bradnam's showroom before ordering to view colour swatches, glass samples and actual products.



Bradnam's
windows & doors

Ryan Designer Homes

Bradnam's Windows and Doors . QBCC Act lic 58885
© Bradnam's Windows and Doors . v4 Jun 2019