



BRADNAM'S

SLIDING WINDOWS

Elegantly simple, classic design

 **Bradnam's**
windows & doors

Capeview
building products

Sliding Window Range

Are you looking for the ideal windows for your home? Designed to meet all the requirements of the modern home, including security, strength, reliability and expansive views, our **sliding window** range is a contemporary take on a traditional favourite – one that's sure to suit your home.

Essential Sliding Windows

If you want maximised views and a sensible but aesthetic take on a popular window design, you'll love our 'Essential' sliding windows. Secure, easy-to-operate and easy on the eyes, Essential sliding windows may be our standard sliding window product, but they're still packed full of features and benefits that are anything but standard.

Signature Sliding Windows

Smooth-gliding, easy-cleaning and secure, our 'Signature' sliding windows are stylish and contemporary. With superior mortice locks and vent-locking for secure ventilation, they're safe and practical. Available in large-size options, they can be installed in a range of spaces and configurations, including as indoor-outdoor servery windows, making them an ideal lifestyle window for any home.

Performance Parameters

	Essential	Signature
Frame sizes	52mm	67mm / 100mm
Maximum window height	2400mm	2700mm
Maximum window width	3010mm	5400mm
Maximum panel width	1500mm	1350mm
Maximum panel weight	24kg	100kg
Maximum water rating	600Pa	600Pa
Maximum wind rating	4500Pa ULS	6000Pa ULS
Maximum glass thickness (single glazed)	6.76mm	12.76mm
Maximum glass thickness (double glazed)	N/A	20mm
Maximum acoustic rating	Rw30	Rw35
Maximum bushfire rating	BAL 40	BAL 40
Lowest U-value (single glazed)	4.5	4.7
Lowest U-value (double glazed)	N/A	3.0

Features & Benefits

Essential . Signature

Lifestyle & Comfort

- Can be used as a servery window
- Easy cleaning thanks to tracks that can fit most vacuum heads
- Conveniently located key cylinders allow for easy operation

Optional

- Openings can be restricted for upper storey windows
- Wide range of screening solutions available
- Lockable handles for extra security
- Keyed vent locks available, windows can be locked slightly open for ventilation

Design & Aesthetic

- Aesthetic symmetry with other Bradnam's windows and doors
- Stylish and modern handle
- Available in a range of lifestyle configurations

Performance & Reliability

- Effortless operation with our high-performance rollers
- Fully compliant with Australian Standards
- Thorough protection against elements with high-quality window seals

Optional

- Bushfire rated – certified up to BAL 40

+ Premium Features

Signature Only

- Superior structural integrity with larger 100mm frame width
- Save on energy bills and reduce outside noise with optional double glazing
- Mortice locks fitted in standard handles for superior security
- Curtain-friendly design protects window furnishings from sharp edges



Smart Solutions

High Performance Windows and Doors

Building in today's environment demands the need to satisfy energy, acoustics, security and bushfire requirements. Bradnam's **Smart Solutions** range is designed to augment all Essential and Signature products to satisfy these needs.

Some of the possible benefits

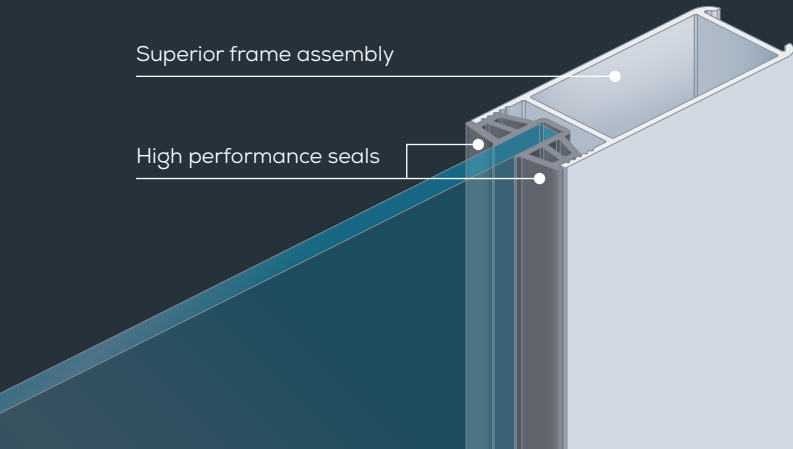
- Cooler in Summer
- Warmer in Winter
- Enhanced UV protection
- Reduce outside noise
- Save on energy bills
- Added security

Performance comes from **more than just glass**

Superior frame assembly

High performance seals

Essential . Signature



As the market leader in Australia for aluminium and glass building products, Bradham's have developed its range of **Smart Solutions** to meet all high performance requirements.

+ Premium Smart Solution

Double Glazed*

Year-round Comfort

- Acts as extra insulation by limiting the flow of hot or cold air in and out of your home
- Helps maintain comfortable temperatures inside across all seasons

Energy Reduction

- Reduce reliance on air conditioning and heaters – lowering electricity bills
- Consume less energy for a smaller carbon footprint

Noise Reduction

- Minimise outside noise – creating a quiet haven inside your home

Safety

- Extra strong resistance to unwanted attacks by intruders

* Not available in Essential

Climate Control Solutions

Solar Comfort™

Year-round Comfort

- Designed to reflect heat away in summer and keep heat inside during winter
- Enjoy the ideal temperature in your home all year round – cooler in summer, warmer in winter

Energy Reduction

- Keep power bills down by reducing the need for additional heating and cooling
- Help save the environment by consuming less energy

Solar Block™

Cooler in Summer

- Minimise the flow of heat into your home – enjoy summer without feeling the heat
- Acts like a pair of sunglasses for your home, reducing glare by up to 78%

Energy Reduction

- Save on electricity bills by reducing the need for air conditioners
- Minimise your carbon footprint by consuming less energy

Specialty Solutions

Safety*

Safety

- Effective, affordable barrier against forced entry
- Enjoy peace of mind knowing that your home has extra protection

Sound Smart™

Noise Reduction

- Reduce unwanted external noise – nearby traffic or noisy neighbours,

FlameShield™

Superior Bushfire Protection

- Meets Australian Standard AS3959:2009, which is aimed to reduce the risk of loss of life and property in bushfire prone areas

SLIDING WINDOWS

Essential . Signature



Hardware

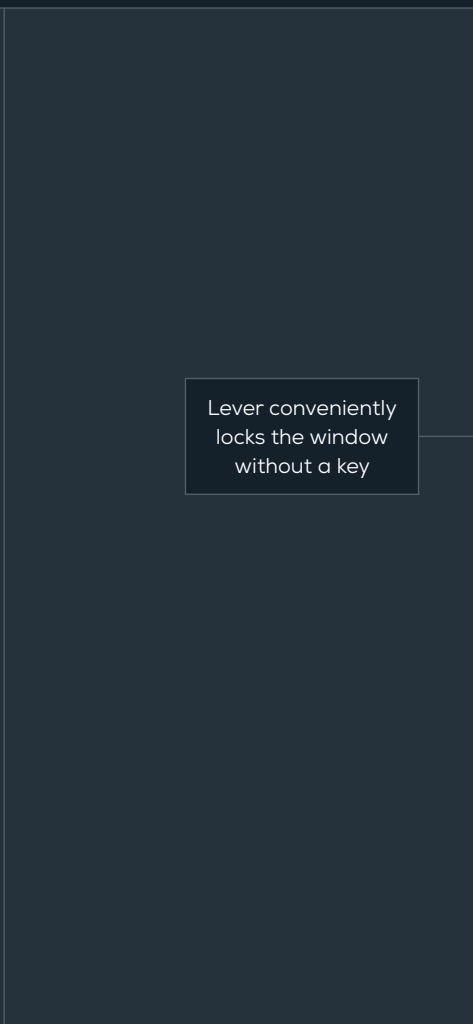
The hardware displayed on this page are a guide only. Bradnam's recommend the viewing of an actual hardware product prior to order.

Black Matt	Black Gloss	White	Ultra Silver
------------	-------------	-------	--------------

ESSENTIAL	•	•	•	•
SIGNATURE		•	•	•

ESSENTIAL

SIGNATURE



Lever conveniently locks the window without a key



Mortice lock for improved security



For more information call Bradnam's on **1300 WINDOWS** 1300 946369 or visit bradnams.com.au

-  /bradnams
-  /bradnamswindowsdoors
-  /company/bradnams-windows-and-doors
-  /bradnamswindowsanddoors

WINDOWS & DOORS

INSECT & SECURITY SCREENS

SHOWER SCREENS

MIRRORS & WARDROBES

GLASS SPLASHBACKS & SHELVING



Australian Owned & Made
Bradnam's products are proudly made in Australia and designed specifically to meet all Australian conditions.

Product availability, pricing, features, options, sizes, configurations and performance are subject to regional variations, design requirements and building codes.

Images are for illustration purposes only and may not accurately represent the product. Bradnam's Windows & Doors reserves the right to change, alter or delete any aspect of this product without notice.

We recommend visiting a Bradnam's showroom before ordering to view colour swatches, glass samples and actual products.



 **Bradnam's**
windows & doors

BBC QLD

Bradnam's Windows and Doors . QBCC Act lic 58885
© Bradnam's Windows and Doors . v3 Nov 2019