



BRADNAM'S

HARDWARE RANGE



ESSENTIAL

SIGNATURE

COMMERCIAL

CONTENTS

WINDOW HARDWARE RANGE	3
DOOR HARDWARE RANGE	11
HARDWARE CARE & MAINTENANCE	20

Note: Key-locking versions are shown in this catalogue. Non key-locking versions are also available in some products.



BRADNAM'S

HARDWARE RANGE

The importance of hardware can be overlooked when considering all aspects of windows and doors. At Bradnam's we understand that hardware can have a dramatic effect on the overall design and functionality of windows and doors.

As such, our windows and doors are complemented by an extensive range of stylish and innovative hardware options. Whether you are a renovator, homeowner, builder or designer, our hardware range provides flexibility to help with your design concept.



BRADNAM'S

WINDOW HARDWARE RANGE

SLIDING WINDOWS

DOUBLE HUNG WINDOWS

AWNING WINDOWS

BI-FOLD WINDOWS

CASEMENT WINDOWS

LOUVRE WINDOWS

Trim Concept Homes

SLIDING WINDOWS

ESSENTIAL

SIGNATURE



Lever locks
the window
without a key



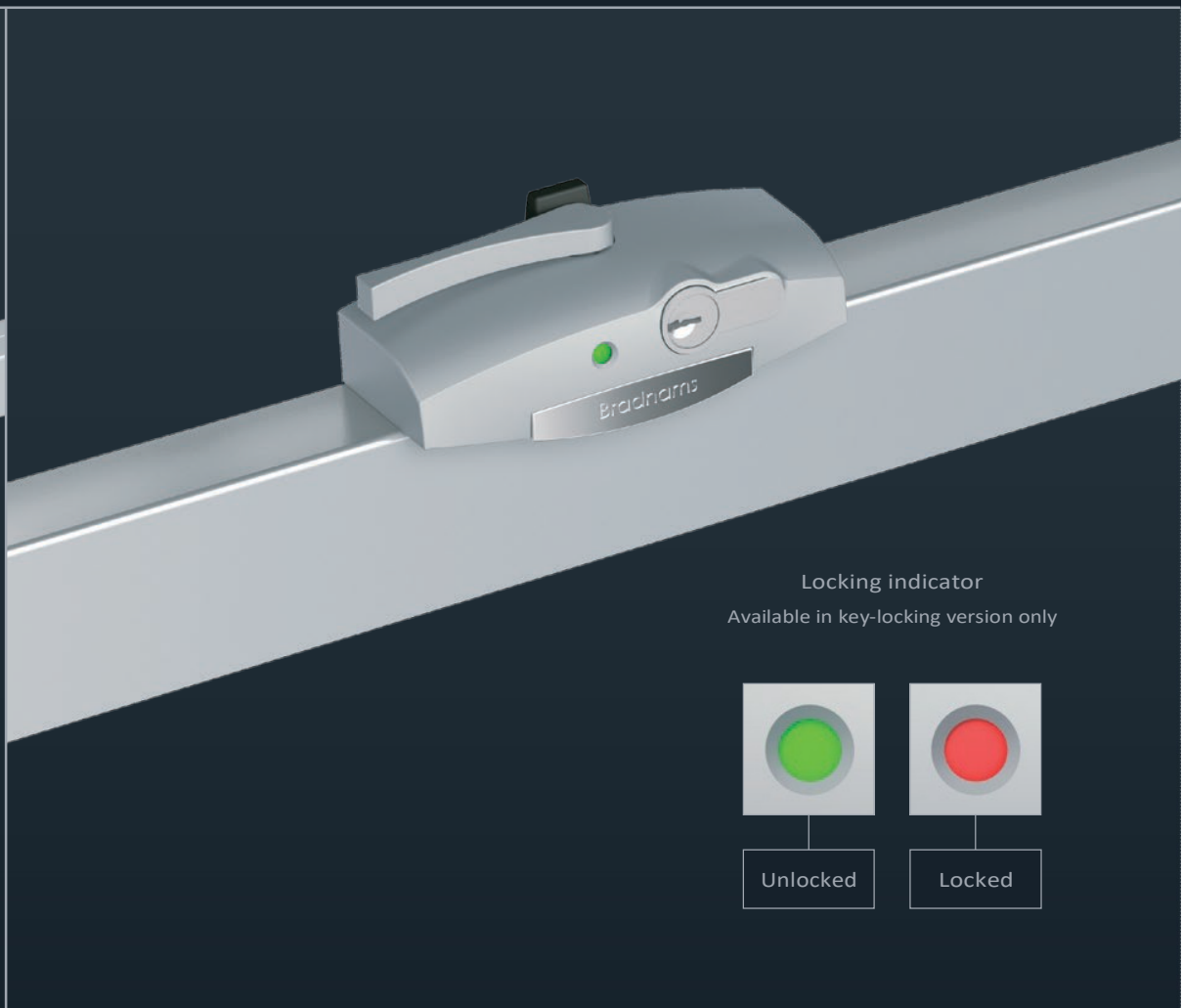
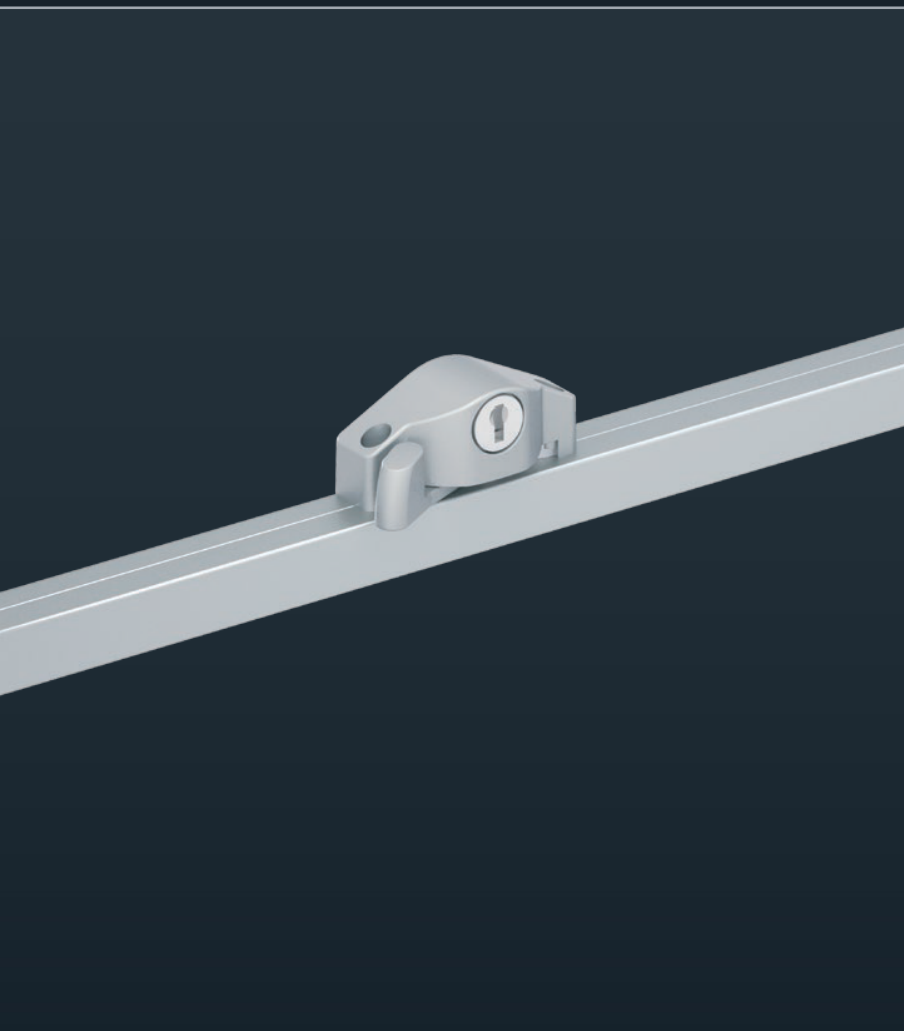
Mortice lock for
improved security



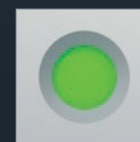
DOUBLE HUNG WINDOWS

ESSENTIAL

SIGNATURE



Locking indicator
Available in key-locking version only



Unlocked



Locked

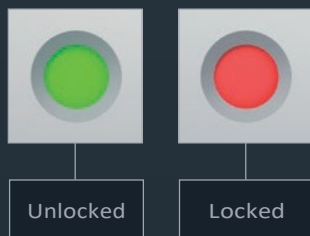
AWNING WINDOWS

ESSENTIAL

SIGNATURE

COMMERCIAL

Handles can be folded to minimise interference with window furnishings



Locking indicator
Available in key-locking version only

Single chain winder

Twin chain winder

BI-FOLD WINDOWS

SIGNATURE

COMMERCIAL

Signature pull handle

Commercial pull handle

Flush bolt lever

Twin bolt lever



CASEMENT WINDOWS

SIGNATURE LB

Lever & key locking system



Handle can be folded to minimise interference with window furnishings



LOUVRE WINDOWS

ESSENTIAL

SIGNATURE

SIGNATURE





BRADNAM'S

DOOR HARDWARE RANGE

SLIDING DOORS

BI-FOLD DOORS

PIVOT DOORS

HINGED DOORS

Comdain Homes

SLIDING DOORS

ESSENTIAL

SIGNATURE

COMMERCIAL

Standard internal handle

Standard external handle

Lever locks the door without a key

Mortice lock for improved security



SIGNATURE

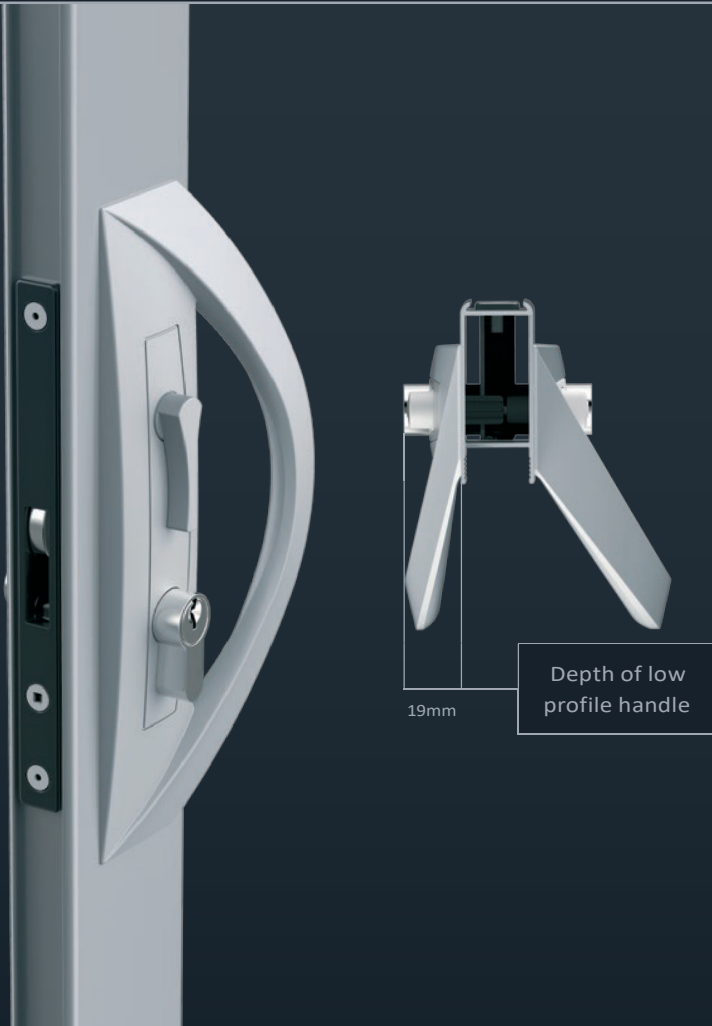
COMMERCIAL

Low profile external handle

Internal view

Square-form handle

External view



Turn knob cylinder available



Lever cylinder



BI-FOLD DOORS

SIGNATURE

COMMERCIAL

Lever lock

Signature pull handle

Commercial pull handle



PIVOT & HINGED DOORS

COMMERCIAL

External key pad



Internal turn knob



PIVOT & HINGED DOORS

COMMERCIAL

Lever handle



'D' handles



PIVOT & HINGED DOORS

COMMERCIAL

Square-form handles

Curved handle



HINGED DOORS

ESSENTIAL

SIGNATURE

COMMERCIAL

Flush bolt

Twin bolt

Flush or Twin bolts
are required for double
leaf configurations



HARDWARE CARE & MAINTENANCE

General periodic maintenance and care are required on all hardware to ensure that they function correctly and maintain their appearance. The external finish of hardware must be kept clean by removing any harmful residue (especially salt spray) from the surface.

Cleaning should be undertaken with a small amount of mild detergent in warm water. A soft brush or cloth free of grit or buttons should be used. Any form of abrasive cleaner or household cleaners should not be used under any circumstances.

After cleaning it is essential that the hardware is wiped down with fresh water to remove any detergent residue.

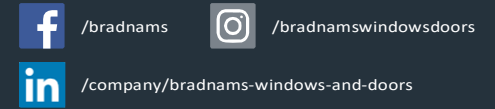
Internal mechanisms of locks, catches, etc. should be kept in good working order by applying a light spray of lubricant (WD40, RP7 or similar). Care should be taken during maintenance of internal mechanisms that any finished surface is well protected to avoid damage.

Recommended Care & Maintenance Intervals

Type of environment	Definition of environment	Maximum maintenance intervals
Mild	Being rural, away from the coast and remote industry and urban activity	6 months
Moderate	Being mainly urban, inland and away from heavy industrial activity	3 months
Tropical / Severe	Being coastal/marine, subject to salt deposition and within 15km of the eastern coast or 10km of the western coast of Australia	2-4 weeks



For more information call Bradnam's on **1300 WINDOWS** 1300 946369 or visit bradnams.com.au



Australian Owned & Made
 Bradnam's products are proudly made in Australia and designed specifically to meet all Australian conditions.

Hardware availability, features, options, sizes, configurations and performance are subject to regional variations, design requirements and building codes.

Images are for illustration purposes only and may not accurately represent the product. Bradnam's Windows & Doors reserves the right to change, alter or delete any aspect of the hardware range without notice. We recommend visiting a Bradnam's showroom before ordering to view actual hardware.



Bradnam's Windows and Doors . QBCC Act lic 58885
 © Bradnam's Windows and Doors . v4 May 2019