







**RFM 300x340 PLC  
HORIZONTAL AUTO MITER  
BAND SAW MACHINE**

\*Photo may feature machine with optional accessories

## CUTTING CAPACITY

	<b>0°</b>	<b>45°</b>	<b>60°</b>
	300 mm	230 mm	120 mm
	280 mm	210 mm	110 mm
	280 x 340 mm	180 x 250 mm	100 x 210 mm

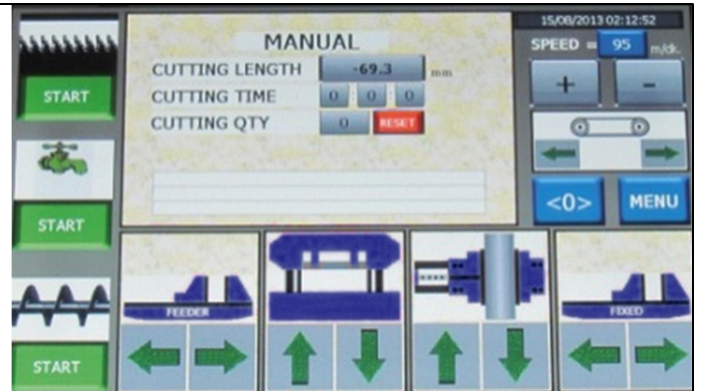
## TECHNICAL SPECIFICATIONS

<b><i>Main Motor</i></b>	: 2, 2 kW
<b><i>Gearbox</i></b>	: Bevel Helical PKD 1390 100L/4C High Efficiency
<b><i>Hydraulic Motor</i></b>	: 0, 37 kW
<b><i>Coolant Motor</i></b>	: 0, 12 kW
<b><i>Blade Speed</i></b>	: 25-90 m/min
<b><i>Blade Dimensions</i></b>	: 3.850 x 27 x 0, 9 mm
<b><i>Machine Weight</i></b>	: 960 kg
<b><i>Machine Dimensions</i></b>	: 1.220 x 2.000 x 1.300 mm
<b><i>Table Height</i></b>	: 750 mm

## STANDARD ACCESSORIES

### ***HMI Touch Screen Control Panel***

50 programs with 50 lines  
Error page  
Alarm list  
Easy language selection  
Easy denomination selection



### ***Inverter***

Provides to adjust blade speed up to workpiece diameter, thickness and hardness.



### ***Feeder Vise***

Pressure, clamping period and clamping time can be adjusted.



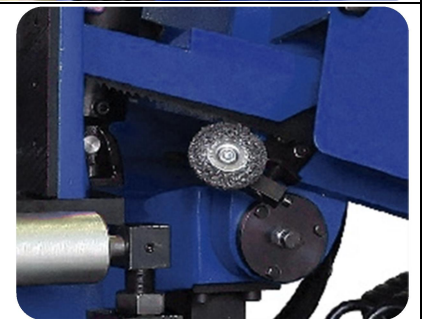
### ***Hydramechanical Blade Tensioning***

Tensioning period and tensioning time can be adjusted. So blade does not relax and curve cutting gets prevented.



### ***Swarf Brush***

Removes swarfs to keep clean the wheels and blade.



***Bevel Helical Gearbox***



***Transport Hooks***



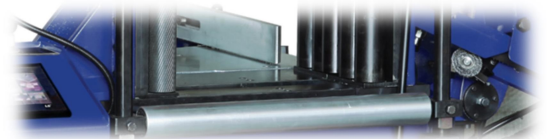
***Levelling Foot Leg***



***Mechanical Top Clamp***



***Material Move Support Roller***



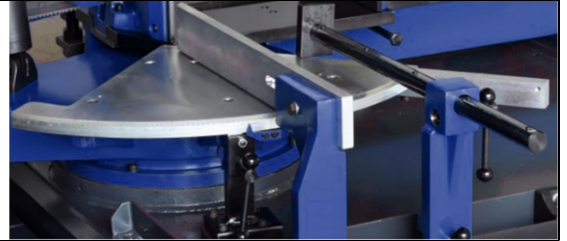
***Single Roller Table***



*Adjustable Vise Pressure*



*Rotating Table*



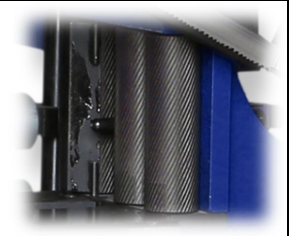
*Rotating Vise Flange*



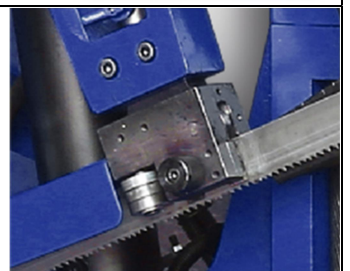
*Moveable Guide Arms*



*Helical Channeled Feeder Roller*



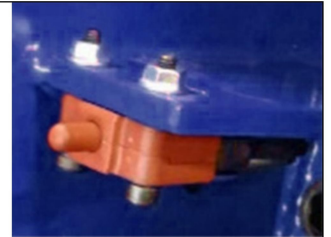
*Blade Bedding with Carbide and Bearings*



*Manometer*



*Cover Switch*



*Tension Switch*



*Electric Cabinet Switch*



*S.A.P (Italy) Brand Coolant Pump*



*Easy Readable Angle Ruler*



*Adjustable Bow Down Speed*



*Blade Bedding at Wheels*



*Automatic Stop When;*

- The covers are open
- Blade is broken
- Blade tension is low



**OPTIONAL ACCESSORIES**

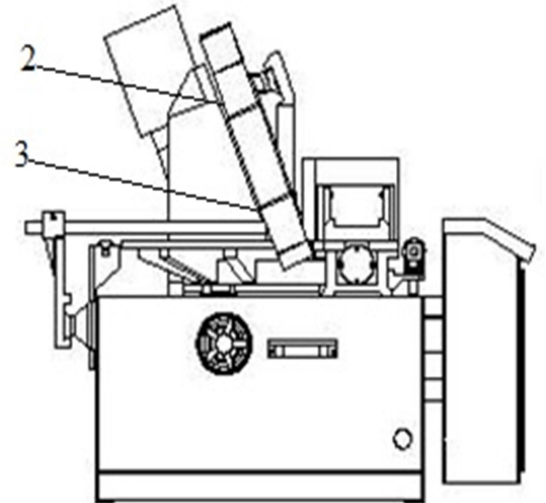
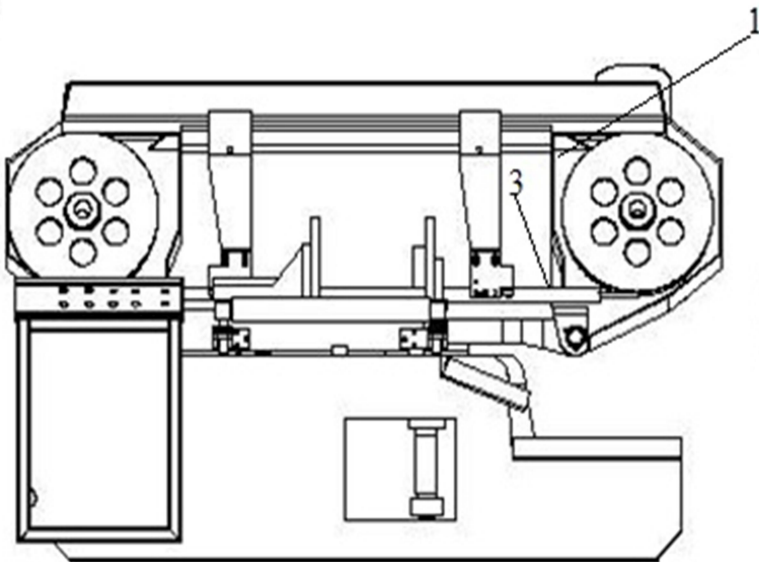
*Laser Line Indicator*



*Micro Molecular Coolant System*



## SAFETY EQUIPMENTS



<b>NO</b>	
<b>1</b>	<b>Right Cover Switch</b>
<b>2</b>	<b>Hydraulic Band Tension Switch</b>
<b>3</b>	<b>Upper Limit Switch</b>
	<b>Lower Limit Switch</b>



## TERMS

***Delivery (After Receipt of written PO) :***

***Type of Delivery*** : **Exwork**

## WARRANTY CONDITIONS

The machine is under the warranty of SAPHIR For a period of 2 years for mechanical parts, 1 year for electric and electronic parts from the date of purchase. This warranty is subject to all of the terms and conditions listed below:

1. This warranty is valid only if the **Warranty Registration Form** is filled in and returned to the manufacturer or its authorized dealer within **two months after the** date of purchase.
2. The obligation of the manufacturer under this warranty shall be limited to repairing or replacing components which proves defective and which our examination shall disclose to our satisfaction to be defective.
3. Defects due to improper operation, misuse, neglect, alteration, irregular voltage conditions, inadequate wiring, improper installation (**all electrical and electronic components, all electrical motors etc.**) and due to accidents or any damage caused by transportation, flood, fire, natural disasters, theft are not included in this warranty and are strictly the responsibility of the purchaser.
4. Any part returned to SAPHIR or its authorized dealer under the terms of this warranty shall be on the basis of transportation charges prepaid by the customer and must be accompanied by a record of the machine model code and serial number.
5. This warranty does not apply to the following components; band saw blade, blade pressure pads or brackets and blade guide bearings **because of being consumables.**
6. Manufacturer and authorized dealer cannot be blamed within maximum repair period for the material or moral damage. Apart from that act the period as Warranty Conditions and there will not be done any retroactive requirement.



### **SAPHIR BANDSAW MACHINES**

**Hanlı Merkez Mah. Hatip Sok. No:32**

**Arifiye/Sakarya/TURKEY**

**Phone: +90 264 276 59 16**

**Fax: +90 264 276 59 19**

[www.saphirbandsaw.com](http://www.saphirbandsaw.com)

[sales@saphirbandsaw.com](mailto:sales@saphirbandsaw.com)