



IPTV

TELEVISION

In-Wall & On-Wall
IPTV Specification Sheet

Product Overview

Videotree's Lifestyle range of in-wall and on-wall televisions are designed and built in England with an IP66 rating to provide the ultimate protection against dust and moisture, whilst integrating the latest technology to provide the highest picture quality for perfect viewing in any setting.

What's Included

- Detailed Instruction Manual
- Splash-Proof Remote Control
- Mounting Bracket (the bracket received is dependant on the build of the order.)

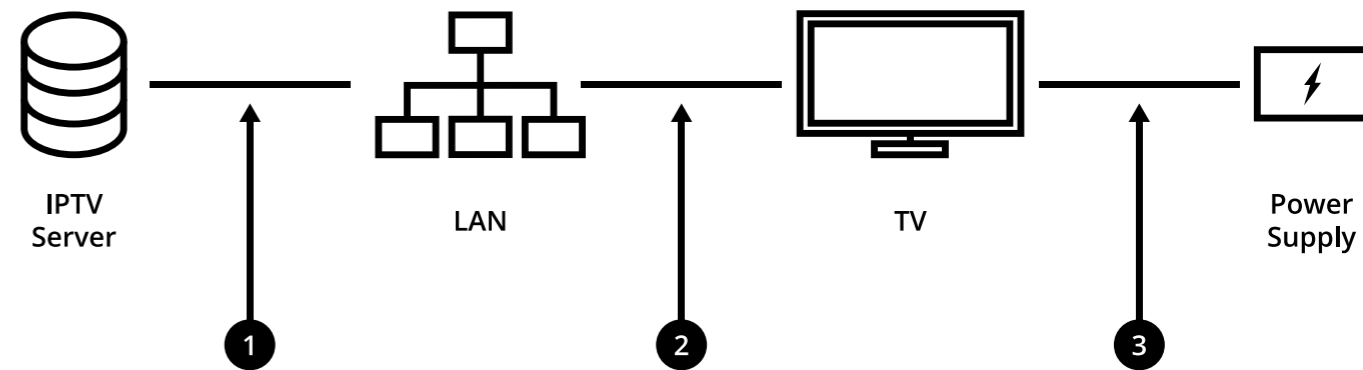
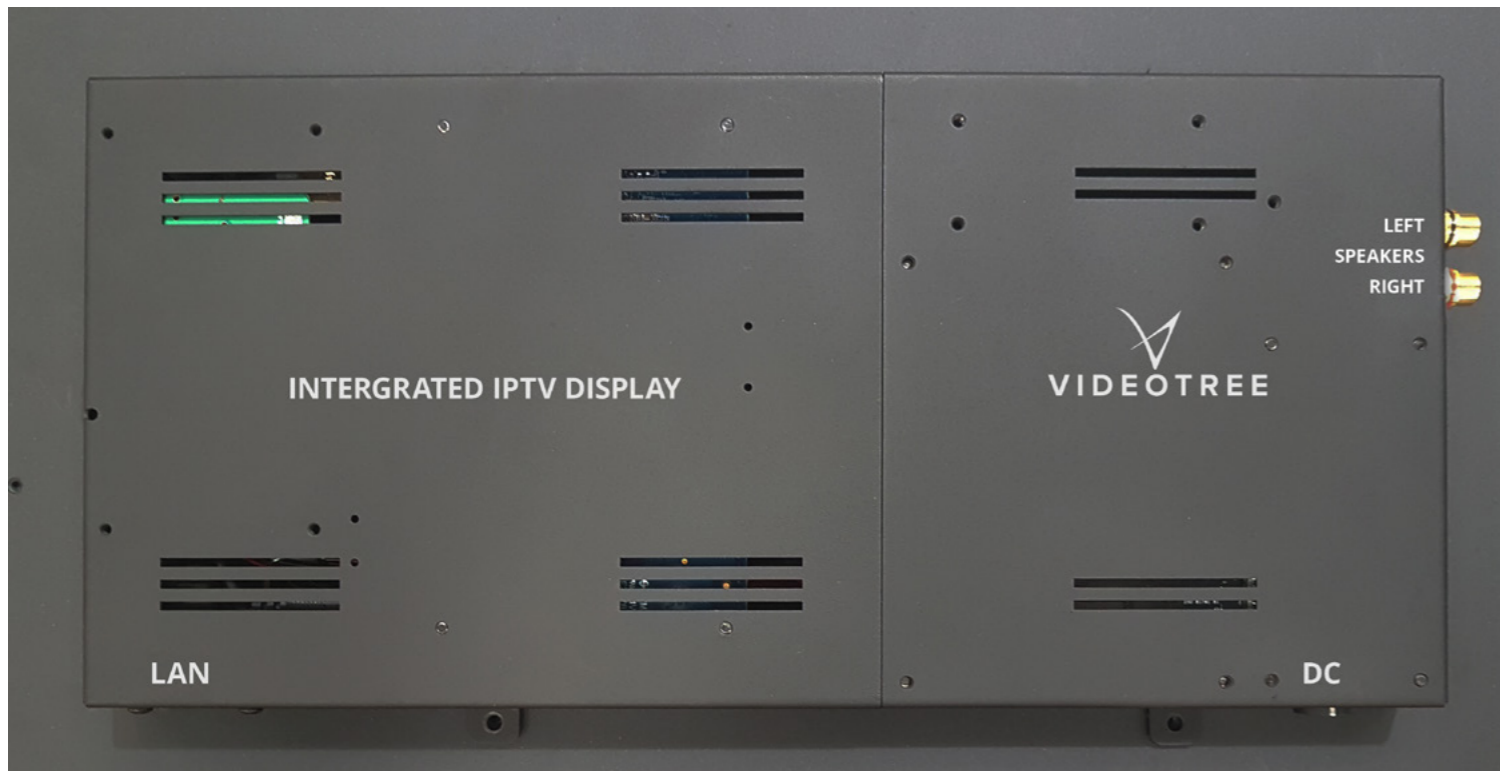
Key Features

- IP-enabled
- Fully sealed unit - protected against moisture and dust
- IP66 protection rating
- Slimline design
- Full HD LED screen
- Designed and manufactured in Britain
- Simple installation
- Guaranteed for 2 years

Connectivity

- Reverse IR Modulated and Unmodulated
- RS232C Control Crestron, AMX, Control4 etc.
- Videotree Touch Tile (Optional Extra)
- Single RJ45 Connector
- 12V Power Input





Videotree VTL190IP & VTL270IP waterproof televisions have been specifically manufactured for integration into damp environments where an IPTV connection is required. Each TV has been designed to negate the problem of external set top boxes (STB) hidden in inaccessible areas and requiring unreliable and complicated control between the two units.

Each TV can be configured to work seamlessly with most hotel IPTV systems and comes equipped with an Amino STB which can be fully configured using our IR Keyboard. The screen is fitted with an internal power router for both the screen and STB, allowing for full power via a secret code on the remote control.

Optional extras include HDCP and CEC, 20 Watt stereo speakers and a high-brightness, full HD industrial screen.

- UDP Channel Lists and STB images can be stored locally or on a central Linux server and the unit can be set for DHCP or static IP.
- The screen can be flashed from the central server or at the factory with the Opera image.
- Full power down can be achieved via the remote control.
- Just one 12v / 24v (Dependant on the integrated STB) DC feed is required for the unit, with no need for RS232 or Reverse IR.
- Plug and Play for easy installation.

1. Clear Unscrambled UDP Streams 239 Range
2. CAT/6 100Mbps
3. 12v or 24v Power Supply (Dependant on the integrated STB)

Connectivity

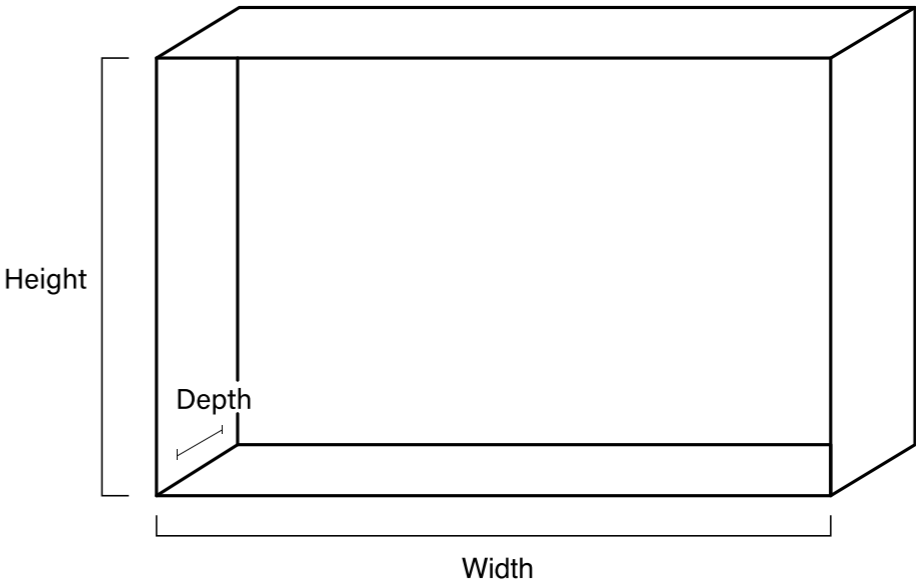
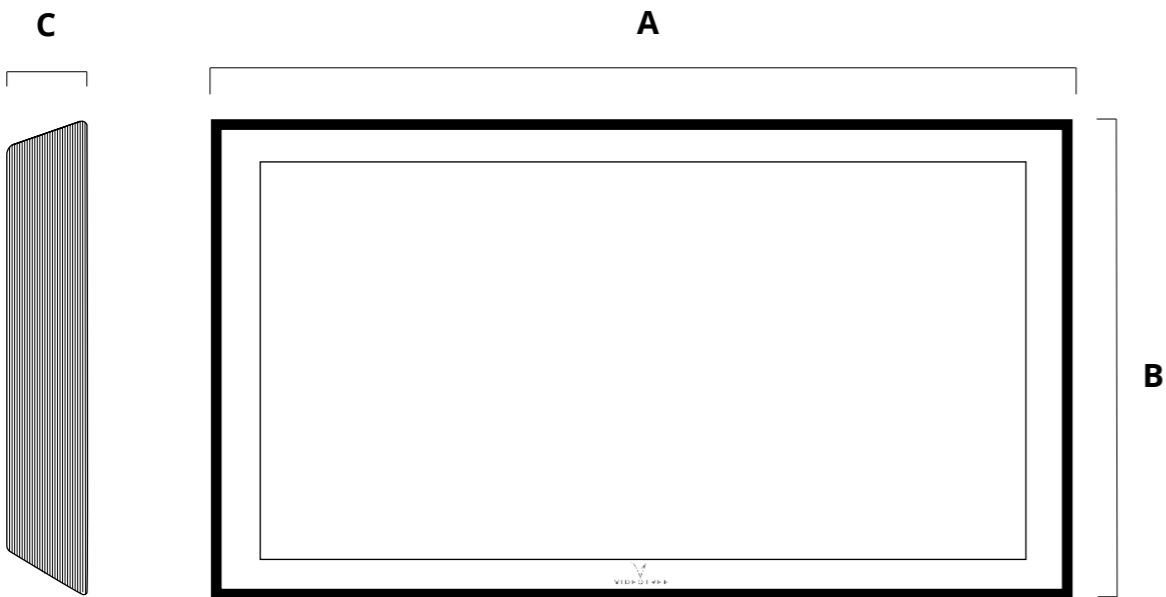
DC 12V / 24V Power

CAT5 Ethernet RJ45

Speakers L/R - RCA / Phono



This is subject to change at Videotree's discretion.



Screen Dimensions	
Key	27"
A	642
B	392
C	45.2

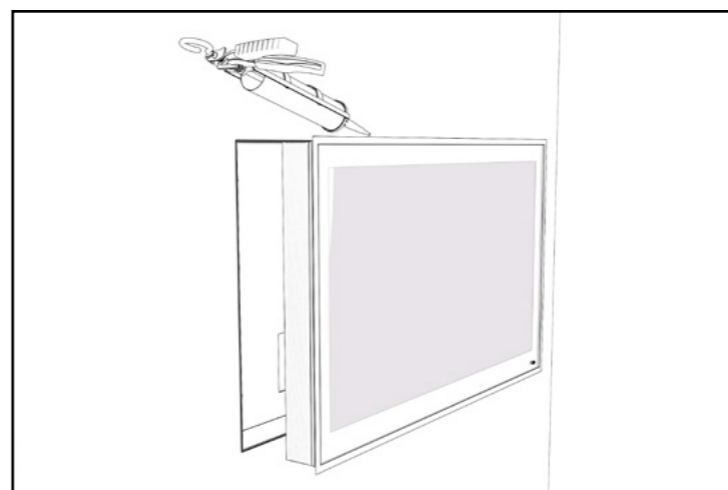
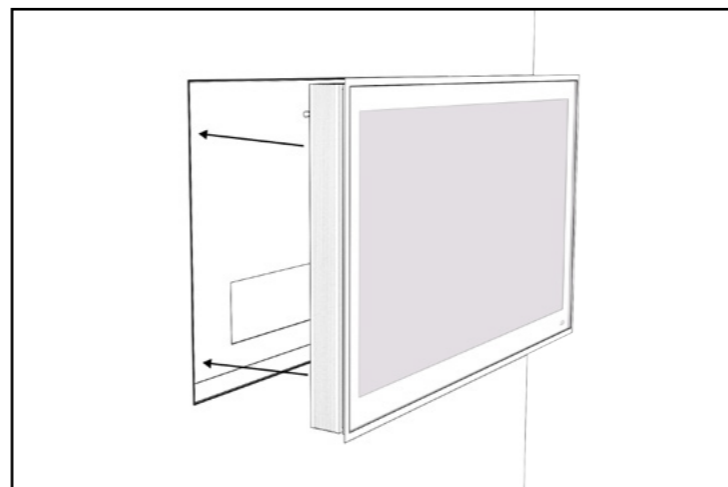
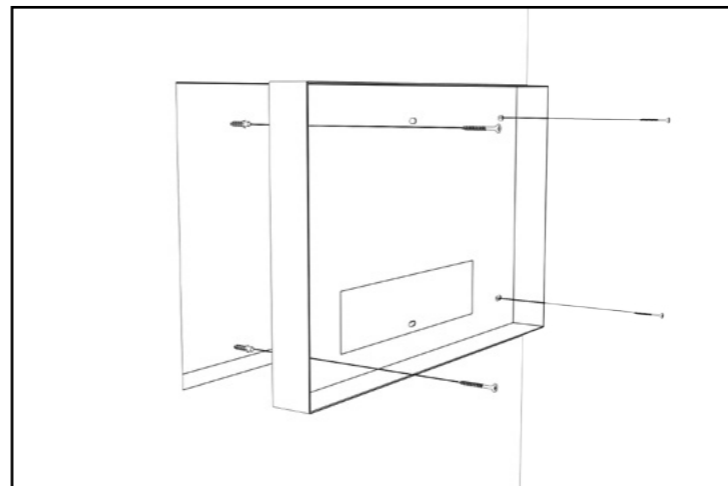
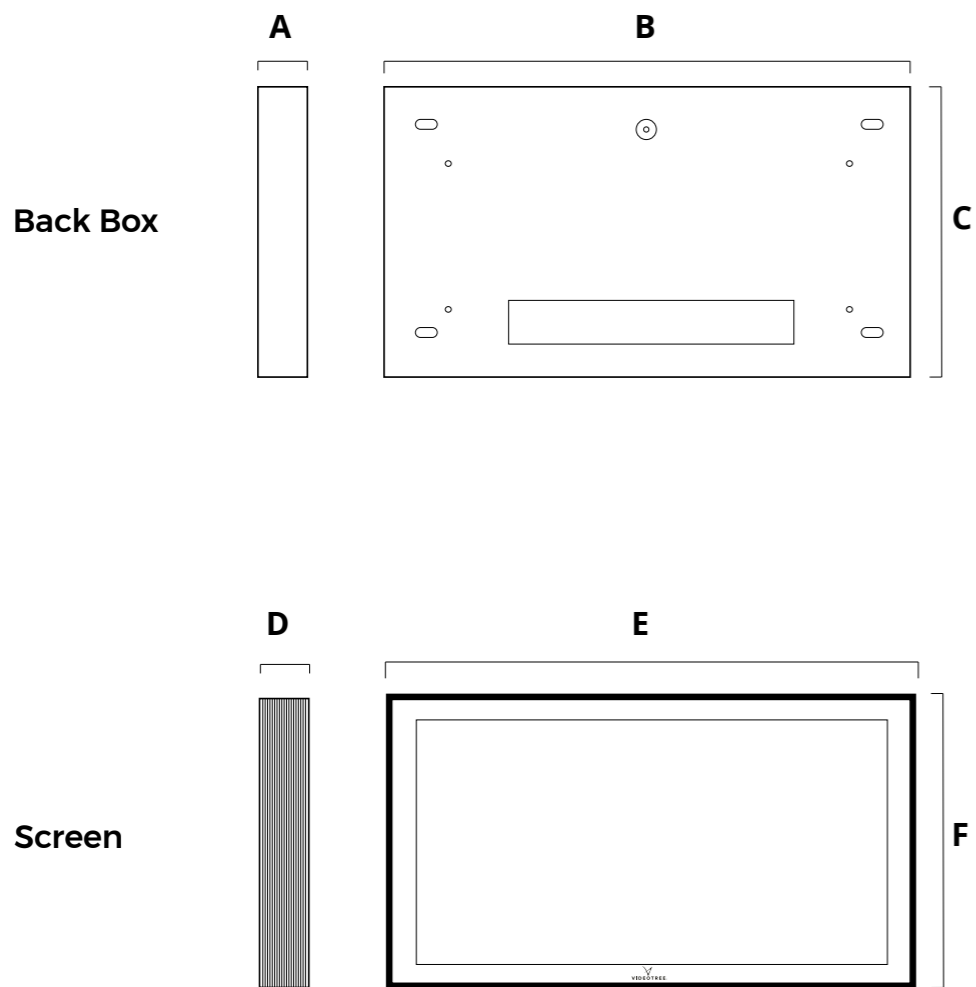
Packaging Dimensions	
Screen Size	27"
Length	735
Depth	180
Height	550
Weight (kg)	16kg

VESA Dimensions	
Height	Width
200	200

Dimension	19"	27"
Width	454	637
Height	283	387
Depth	44	44

! All measurements of the In-Wall TV will be in millimetres (mm) unless stated otherwise.

! All measurements of the On-Wall TV will be in millimetres (mm) unless stated otherwise.



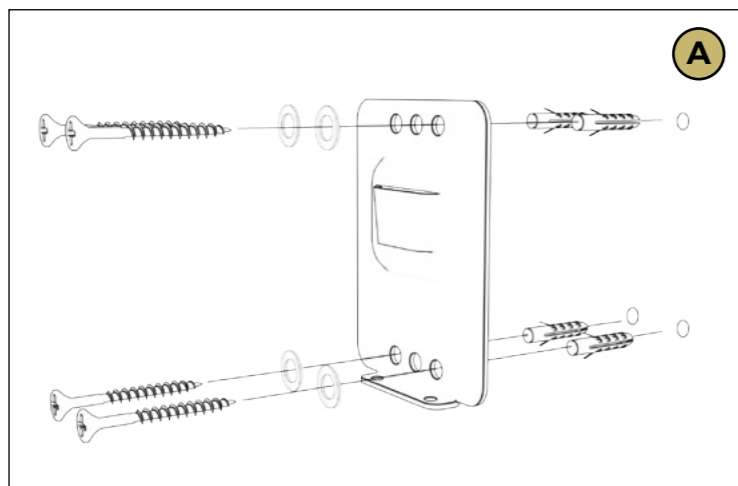
1. Determine the best position for the television screen, taking into account viewing angles (see page 11), lighting and cable or electrical connections.
2. Using the dimensions on pages 13-15, measure and create your In-Wall cut out ensuring the edges are straight and level.
3. Install the cables and power supply needed for the television and ensure there is enough length to reach the connectors. Tidy any excess length away to tidy the area (power supply, HDMI, aerial cable etc).
4. Slide the backbox into the cut out and fix into place with enough fittings to secure it. Ensure the box fits tight into the cut out and fill in any gaps around the edge of the backbox using a filler.
5. Connect your television to the power supply and cable connections, slide into the backbox and turn the power on. Ensure your television is working correctly and is level before applying the final seal. We recommend that you do NOT remove the plastic screen protector until installation is completed.
6. Once you are certain the television is working correctly, all the connections are installed and the screen is level, seal between the back edge of the television and the wall with a waterproof silicon sealant. Ensure that any gaps are completely sealed to prevent ingress of water and dust. Use an suitable clean cloth and wipe away excess sealant.

Television Screen & Back Box		
Key	19"	27"
A	44	44
B	452.5	636
C	281.5	386
D	44	44
E	458	641.5
F	287	391.5

Packing Dimensions		
Screen Size	19"	27"
Width	553	735
Height	497	550
Depth	180	180
Weight	11kg	16kg



Measurements are in millimetres (mm) unless otherwise stated.

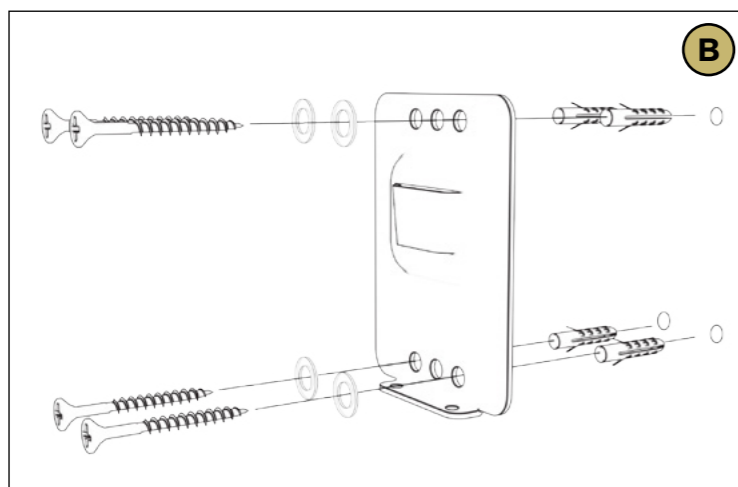


Videotree 27" On-Wall Television's are quick & easy to install:

Videotree 27" On-Wall televisions come with the bracket mounted to the back of the screen.* Please ensure that the mount is installed onto a load bearing wall or a vertical wood stud.

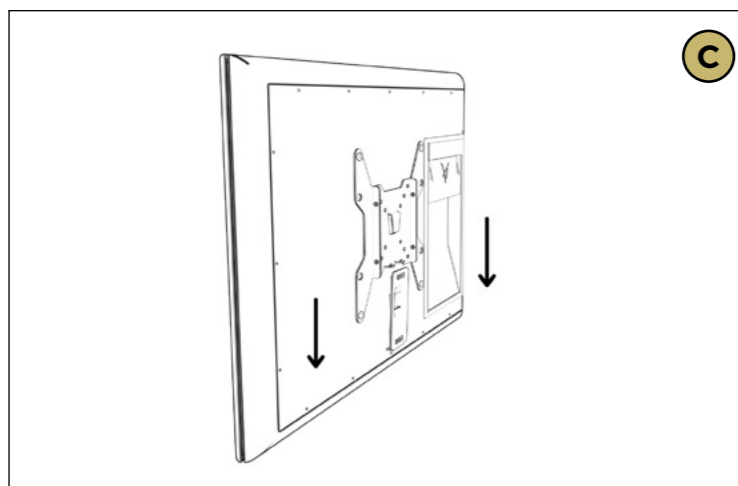
Brick & Concrete Wall Mount (A)

1. Mark out your holes using the corner holes on the wall plate, using a 8mm bit drill 50mm deep holes.
2. Push the concrete anchors into the drilled holes.
3. Align the wall plate to the anchors, secure the wall plate in place using a lag bolt washer and lag bolt in each corner.



Wood Stud Wall Mount (B)

1. Mark out two holes using the middle holes on the top and bottom of the wall plate. Using a 7mm bit, drill 50mm deep holes, place brown wall plugs in the drill holes.
2. Align the wall plate to the holes, secure it in place by screwing in lag bolts with a lag bolt washer on each bolt.



Mounting the TV to the Wall Bracket (C)

1. Remove the M4 x 12 security bolts from the plate.
2. Take the Television with the mounted wall plate and slide it down onto the wall plate until in place.
3. Secure the screen to the plate by taking two M4x12 bolts and screw them into place using a long pozi screwdriver.

*This will be subject to change dependent on each individual order, Videotree cannot guarantee all screens will have the same mounting or come pre-assembled.

General Information

Temperature:

Operating	0°C to 50°C
Storage	-10°C to 60°C

Humidity:

Operating	5% to 80% RH (non-condensing)
Storage	5% to 80% RH (non-condensing)

Installation In-wall installation. Indoor use.

OSD Language	English/French/German/Spanish/Italian/Russian + 16 languages
--------------	--

Spec: Amino 140H

Screen

Contrast Ratio	3000:1
Aspect Ratio	16:9
Driver Element	a-Si TFT active matrix
Number of Pixels	Standard: 1920 x 1080
Brightness	400 NIT
Viewing Angle	Up/Down 88° / 88° Left/Right 88° / 88°

Audio Out

Analogue stereo audio out

Stereo and Dolby 5.1 surround via S-PDIF & HDMI

Dolby Digital+ pass through to external decoder

Outputs

HDMI 1.3a. with HDCP and CEC10-way Mini-DIN for composite video

Component (YPrPb)

2 x USB 2.0

RS232 serial connector

RGB

S-Video and analogue audio

S/PDIF (optical)

Codecs

MPEG-2 MP@HL

MPEG-4 pt10 AVC/H.264 HP@L4

Video Resolutions

Up to 720p and 1080i. Displays up to 1080p

Graphics Resolutions

HD graphics up to 1280 x 720

IPTV Specification

1 x Ethernet 10/100 BaseT via RJ-45 shielded connector

Video Resolutions:

- Decodes up to 720p and 1080i. Displays up to 1080p

Memory:

- 128MB Flash
- 256MB RAM

Security:

- Wide selection of DRM and Conditional Access support. HDCP on HDMI.
- Macrovision (optional)
- CGMS-A signalling pass through

Front Panel LED's:

- Power on/IR command received (Red)

Safety Approvals:

- CAN/ CSA-C22.2 No. 60950-1-03 EN60950

RoHs:

- 2002-95-EC

WEEE:

- 2002-96-EC

Videotree Technical Specifications are subject to changes at anytime. Any measurements provided are given as a guide and should not be used for installation purposes. Please refer to your instruction manual or contact Videotree for more information.

Dolby® and the Dolby® logo are registered trademarks of Dolby Laboratories.

DVB is a registered trademark of the DVB Project. HDMI®, the HDMI® Logo and High-Definition Multimedia Interface are trademarks or registered trademarks of HDMI®.



Representative in the Philippines
Sales@hospitalityinnovations.com.ph

Unit 1 Ember Centre
Hersham Trading Estate
Lyon Road
Walton-On-Thames
Surrey, KT12 3PU
United Kingdom



Telephone: 01932 267 797
Overseas: +44 (0)1932 267 797
Email: sales@videotree.com
Web: www.videotree.com