



Assembly Instructions

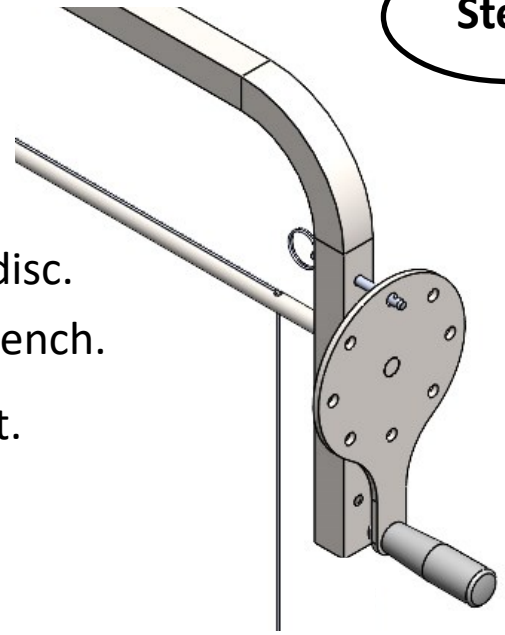
THE PORTABLE ADJUSTABLE CAMPFIRE GRILL

Tools Needed: 5/32" Allen wrench (included) & 9/16" wrench (not included)



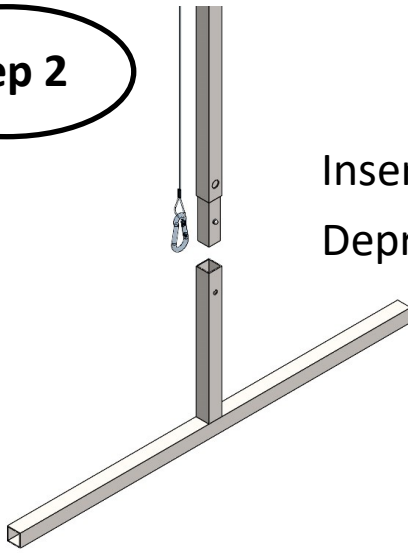
Step 1

Thread handle into handle disc.
Tighten with 5/32" Allen wrench.
Secure with 3/8"-16 hex nut.
Tighten with 9/16" wrench.



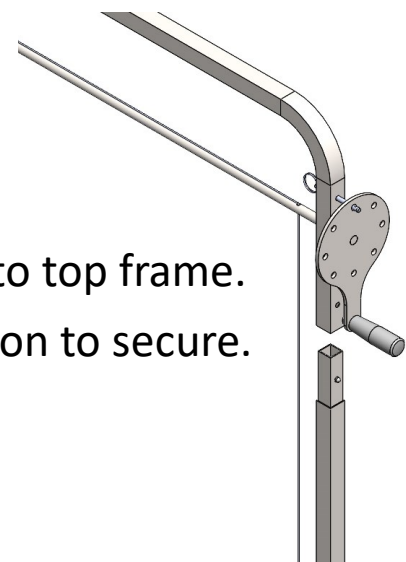
Step 2

Insert side tubes into tee legs.
Depress spring button to secure.

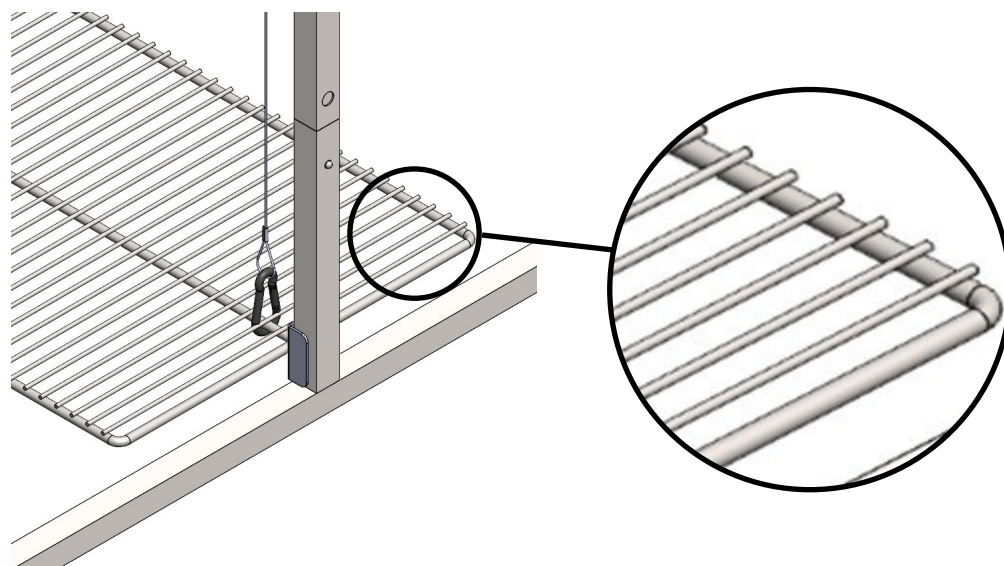


Step 3

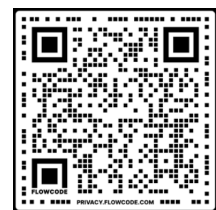
Insert side tubes into top frame.
Depress spring button to secure.



Step 4



Clip carabiners to middle wire of grilling surface with outer wire down.



Caution, grilling components can be very hot!
Handle with extreme caution to avoid burns!



For more info, videos and more, please visit www.g-grills.com